



# RQS Mogul Championships

Steamboat  
Mar 23, 2014 (Sun) (N0529) (N0528)

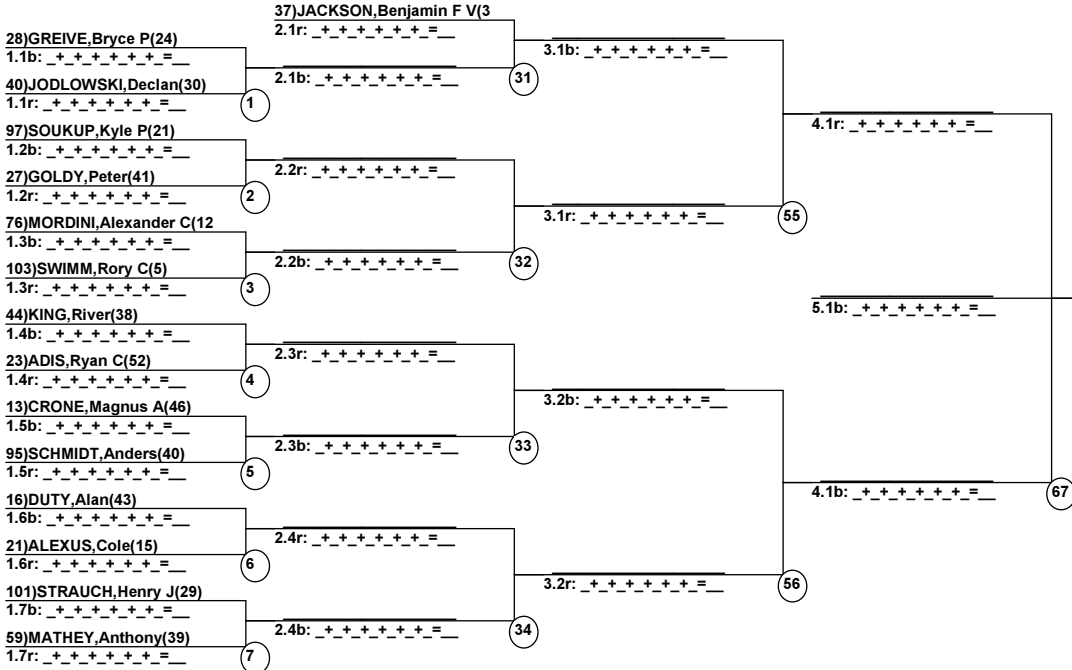
Head Judge: POWELL,Helena Priess  
Chief of Comp: SKINNER,Erik L  
T.D.: SKINNER,Erik L  
Chief of Scoring: POWELL,Helena Priess  
Judge 1: POWELL,Helena Priess

Course: VooDoo  
Length: 246 m  
Width: 20 m  
Pitch: 26 deg

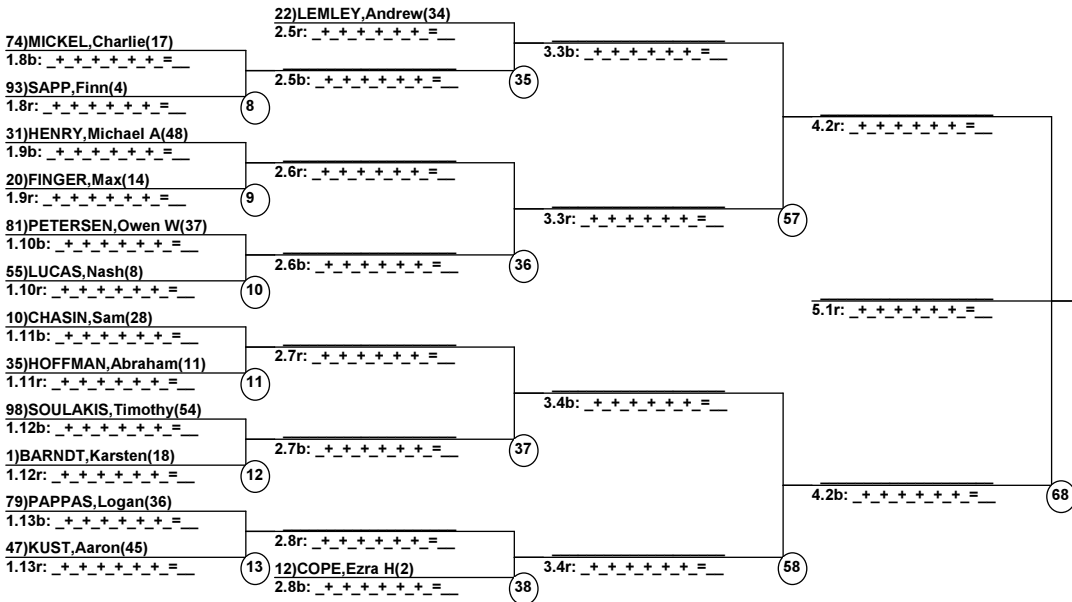
\_\_\_\_ Head Judge  
\_\_\_\_ Chief of Scoring  
\_\_\_\_ T.D.

Duals Run 1      Entrants      Date: Mar 22, 2014 (Sat)  
Female/Male      (By Duals Run-order)      Time: 8:40 pm  
Steamboat      RQS Mogul Championsh

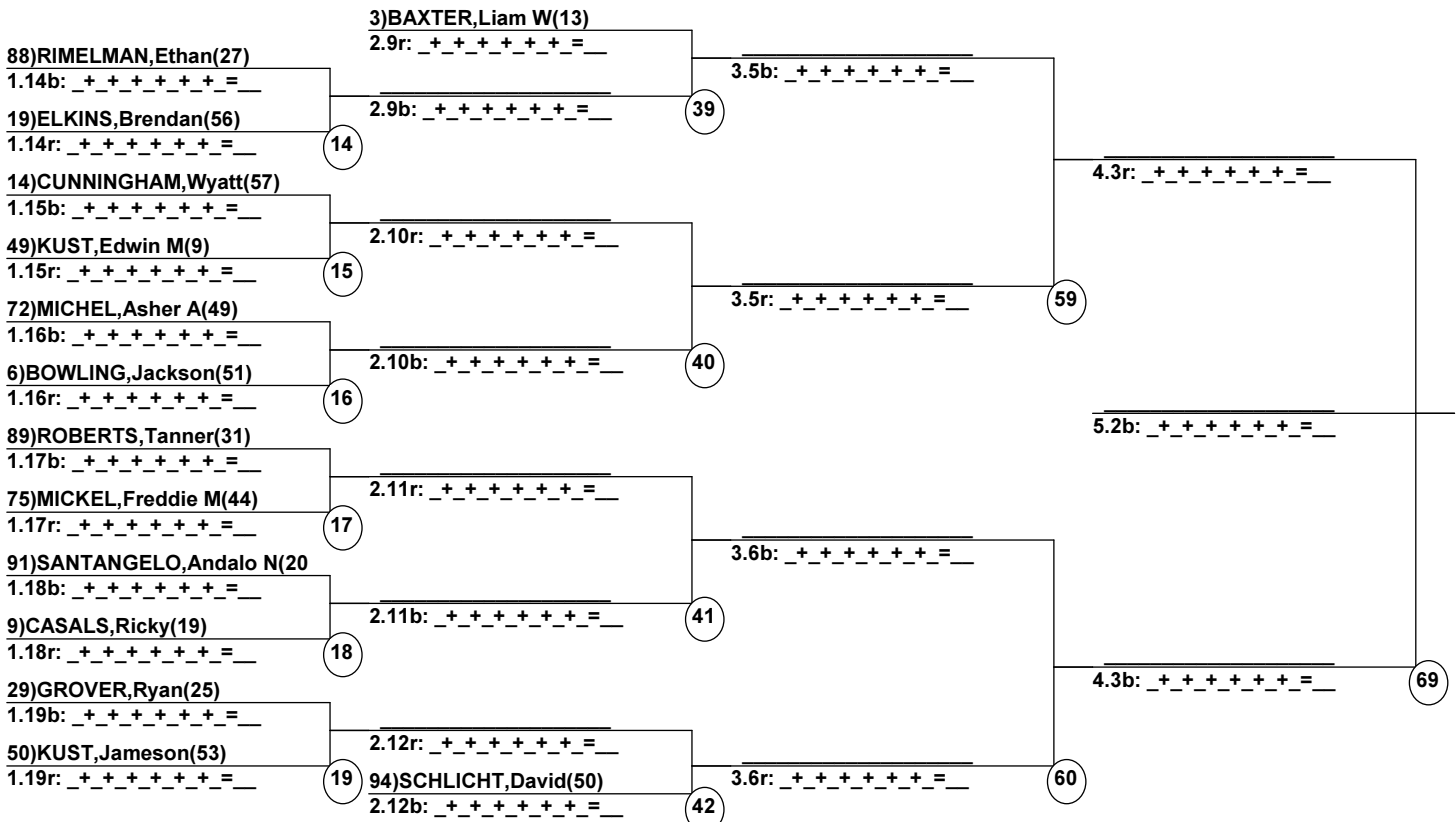
## Male Road to Semi-Finals (5.1B)



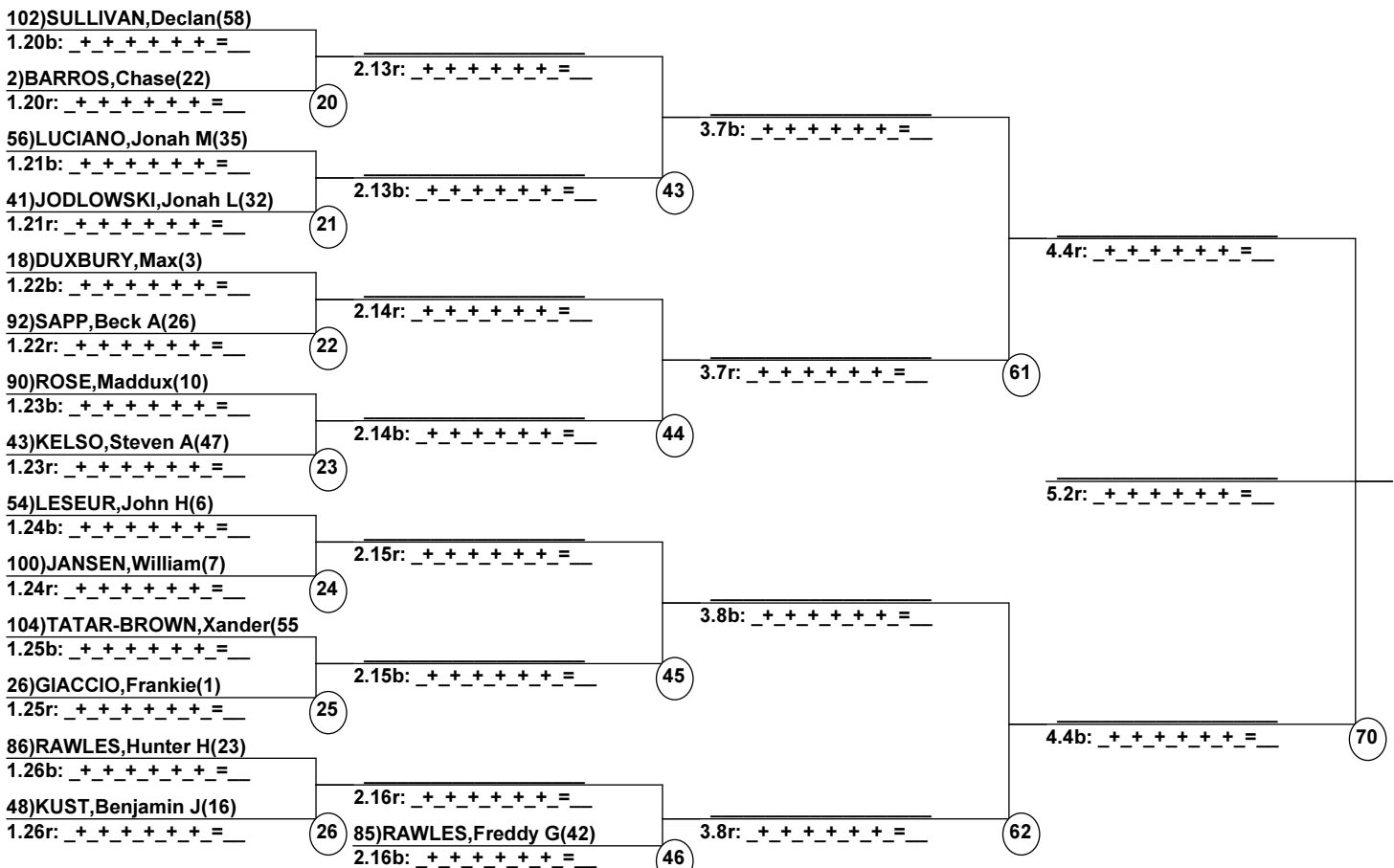
## Male Road to Semi-Finals (5.1R)



Male Road to Semi-Finals (5.2B)



Male Road to Semi-Finals (5.2R)



**Female Road to Semi-Finals (4.1B)**

**25)HARTY,Julia(7)**

1.1r: \_+\_+\_+\_+\_+\_=\_

**87)REEDER,Emma(6)**

1.1b: \_+\_+\_+\_+\_+\_=\_

**106)WHITTIER,Anna(2)**

2.1b: \_+\_+\_+\_+\_+\_=\_

2.1r: \_+\_+\_+\_+\_+\_=\_

**7)BUSCH,Neilly S(19)**

2.2b: \_+\_+\_+\_+\_+\_=\_

**15)CURRAT,Isabelle A(9)**

2.2r: \_+\_+\_+\_+\_+\_=\_

3.1r: \_+\_+\_+\_+\_+\_=\_

3.1b: \_+\_+\_+\_+\_+\_=\_

27

47

48

63

**Female Road to Semi-Finals (4.1R)**

**77)OEHM,Katherine(15)**

1.2r: \_+\_+\_+\_+\_+\_=\_

**36)HUMES,J Ruby G(13)**

1.2b: \_+\_+\_+\_+\_+\_=\_

**52)LARGE,Tegan(8)**

2.3b: \_+\_+\_+\_+\_+\_=\_

**96)SMITH,Anna(10)**

2.3r: \_+\_+\_+\_+\_+\_=\_

2.4b: \_+\_+\_+\_+\_+\_=\_

**70)MCPHERSON,Lizzy(5)**

2.4r: \_+\_+\_+\_+\_+\_=\_

3.2r: \_+\_+\_+\_+\_+\_=\_

4.1r: \_+\_+\_+\_+\_+\_=\_

3.2b: \_+\_+\_+\_+\_+\_=\_

28

49

50

64

Female Road to Semi-Finals (4.2B)

73)MICHEL,Sage C(4)

1.3r: \_+\_+\_+\_+\_+\_=\_

57)ADDIS,Stella R(18)

1.3b: \_+\_+\_+\_+\_+\_=\_

53)LEMLEY,Elizabeth(14)

2.5b: \_+\_+\_+\_+\_+\_=\_

2.5r: \_+\_+\_+\_+\_+\_=\_

46)KOREN,Lilly(17)

2.6b: \_+\_+\_+\_+\_+\_=\_

83)RADWAY,Kenzie(1)

2.6r: \_+\_+\_+\_+\_+\_=\_

3.3r: \_+\_+\_+\_+\_+\_=\_

51

3.3b: \_+\_+\_+\_+\_+\_=\_

65

52

Female Road to Semi-Finals (4.2R)

51)LANGER,Alexis(3)

2.7b: \_+\_+\_+\_+\_+\_=\_

11)CHELAIN,Tessa(20)

2.7r: \_+\_+\_+\_+\_+\_=\_

78)OWENS,Kai S(11)

1.4r: \_+\_+\_+\_+\_+\_=\_

39)JANSEN,Daniella(12)

1.4b: \_+\_+\_+\_+\_+\_=\_

2.8b: \_+\_+\_+\_+\_+\_=\_

38)JACOBS,Riley J(16)

2.8r: \_+\_+\_+\_+\_+\_=\_

3.4r: \_+\_+\_+\_+\_+\_=\_

53

4.2r: \_+\_+\_+\_+\_+\_=\_

3.4b: \_+\_+\_+\_+\_+\_=\_

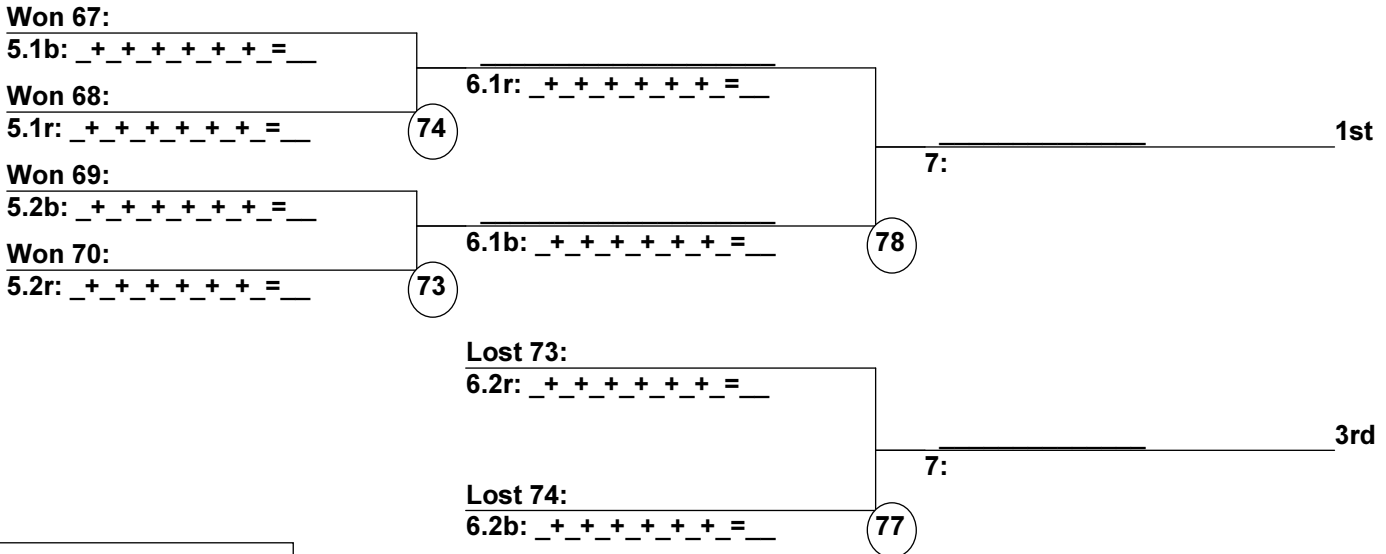
66

54

29

30

**MaleSemi-Finals**



**FemaleSemi-Finals**

