



# Spring Fling at Winter Park

Winter Park

Apr 7, 2013 (Sun) (U0338) (U0337)

OFFICIAL

Head Judge: LANA, Wendy  
Chief of Comp: LESEUR, Adam  
T.D.: LAWSON, David  
Chief of Scoring: WRIGHT, Kari

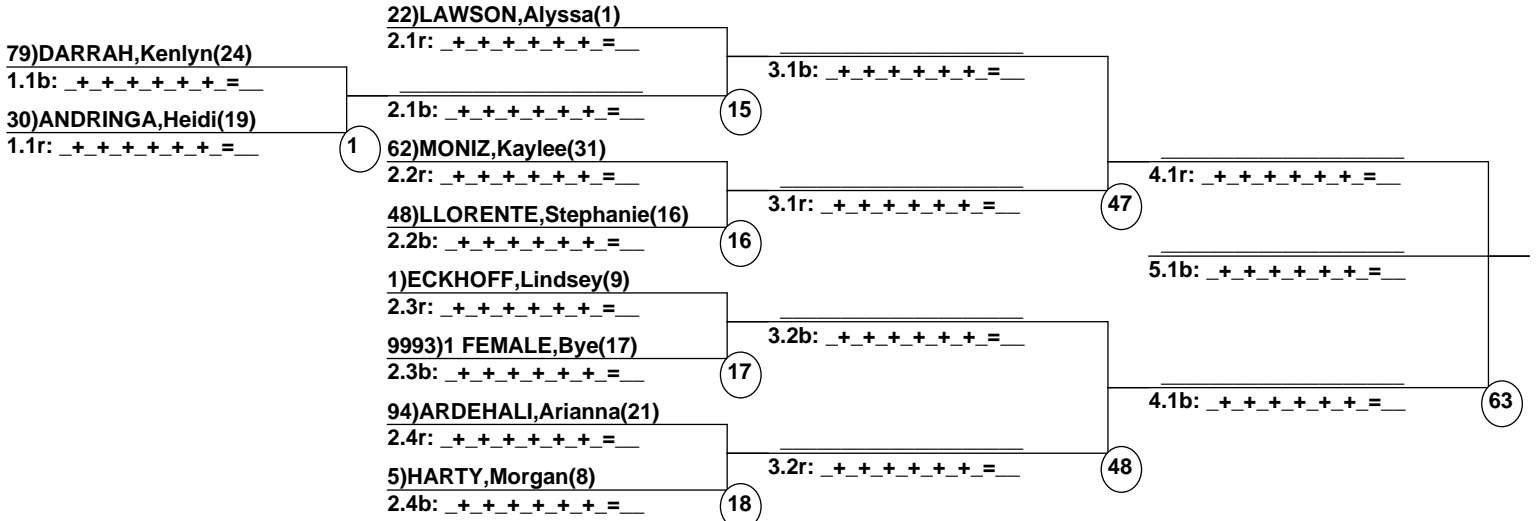
Course: Ambush  
Length: 210 m  
Width: 15 m  
Pitch: 27 deg

\_\_\_\_ Head Judge  
\_\_\_\_ Chief of Scoring  
\_\_\_\_ T.D.

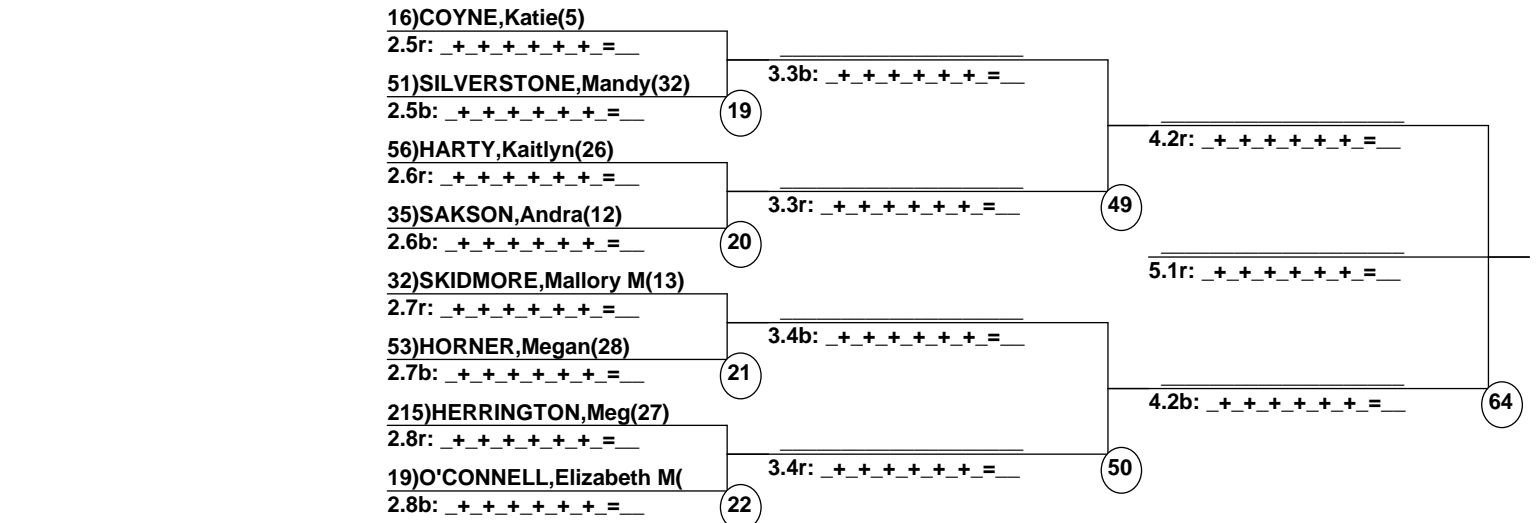
OFFICIAL

-----  
Duals Run 1 Entrants Date: Apr 6, 2013 (Sat)  
Female/Male (By Duals Run-order) Time: 8:25 pm  
Winter Park Spring Fling at Wint  
-----

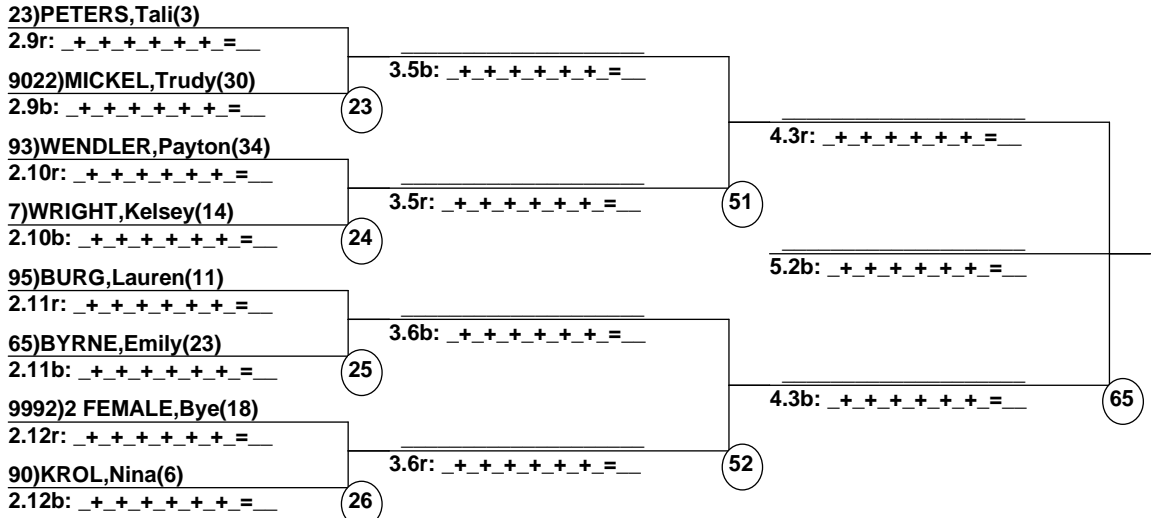
### Female Road to Semi-Finals (5.1B)



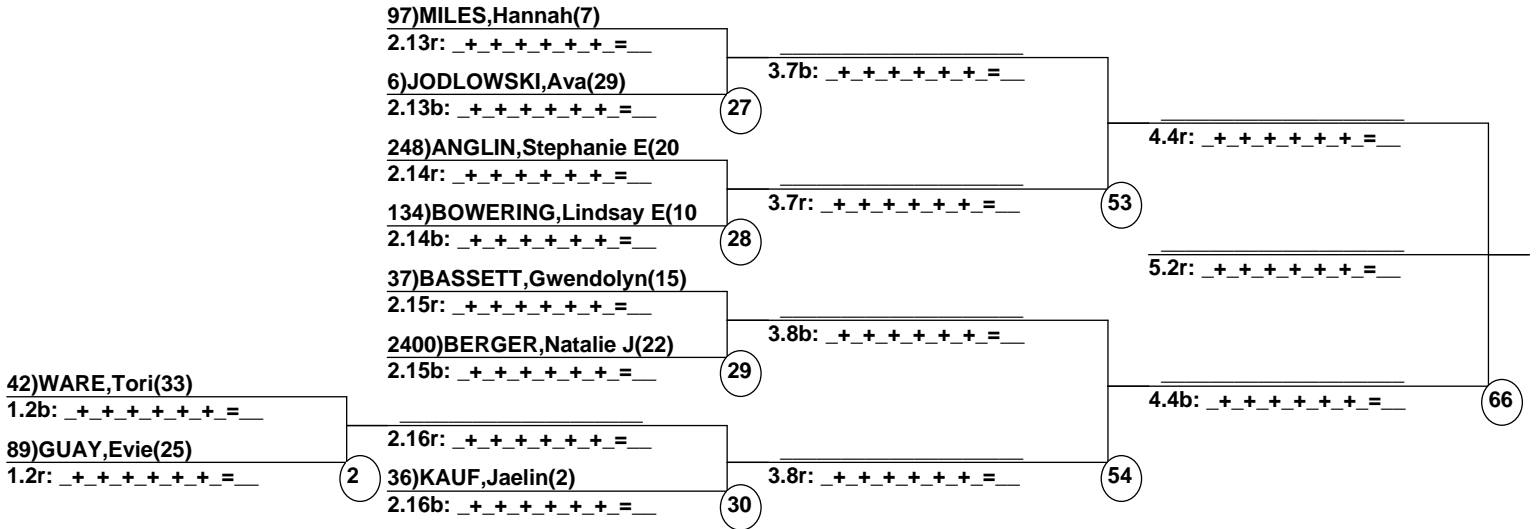
### Female Road to Semi-Finals (5.1R)



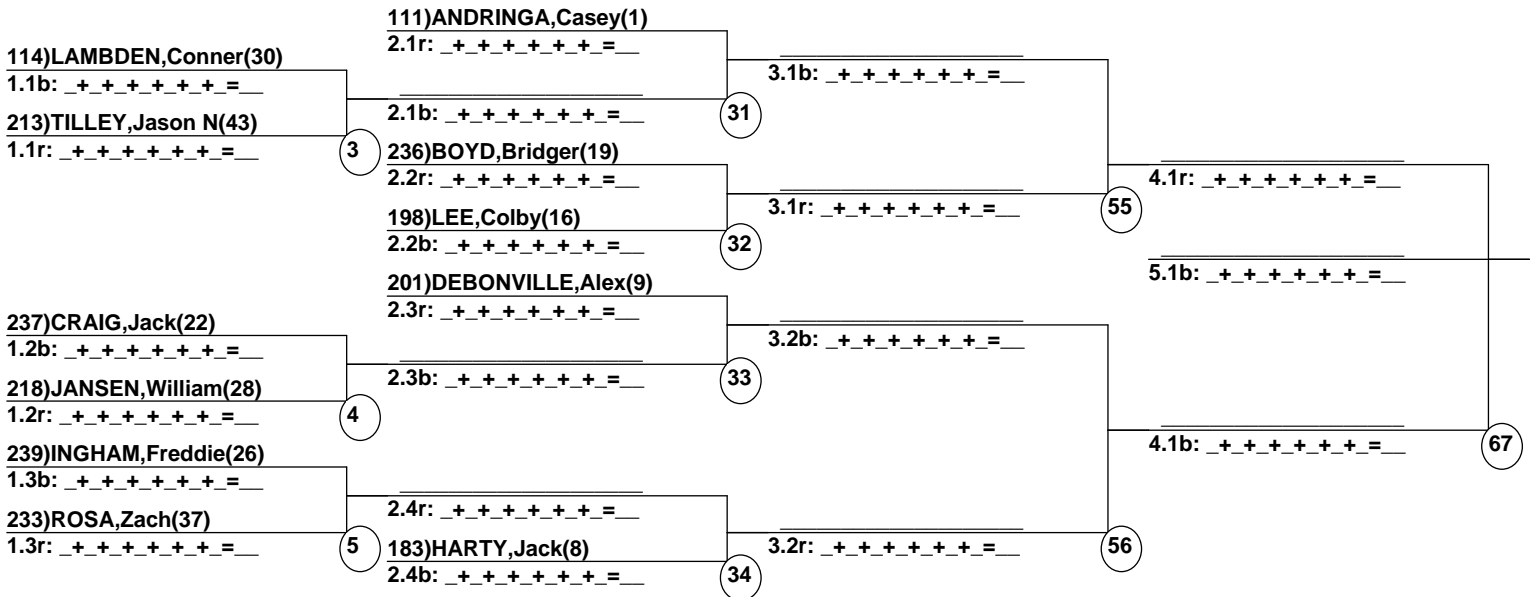
Female Road to Semi-Finals (5.2B)



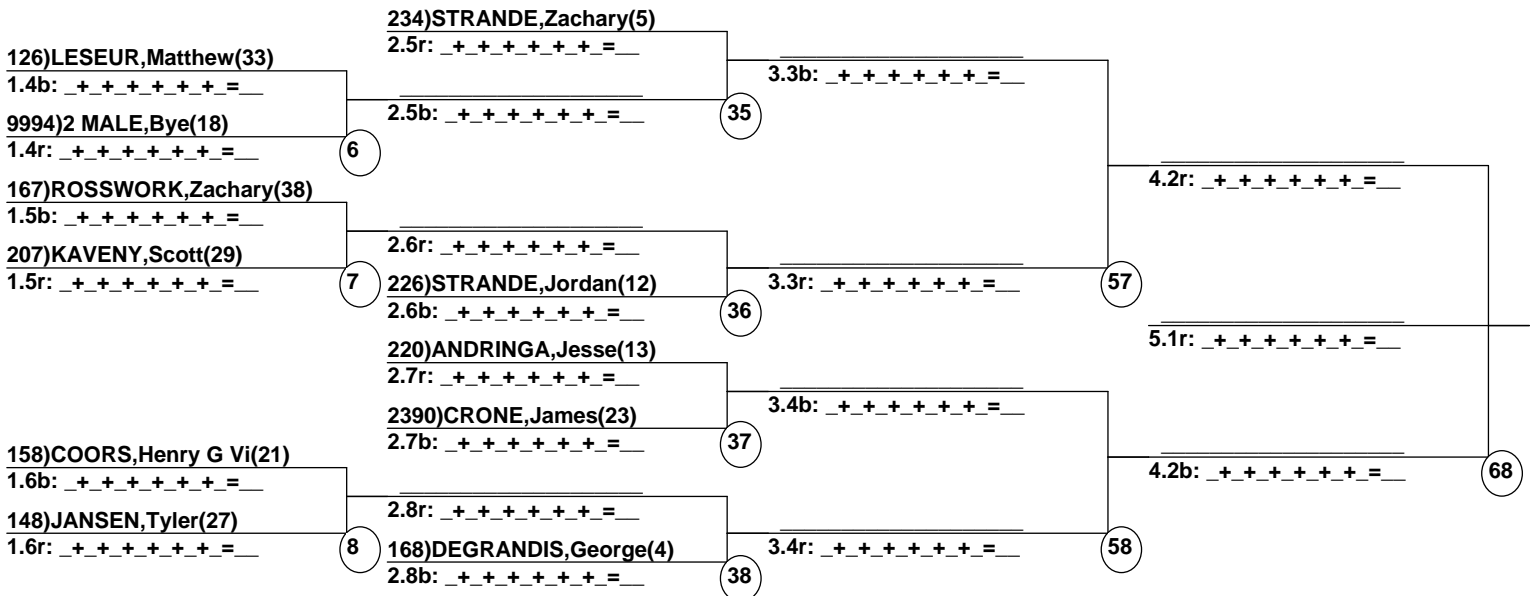
Female Road to Semi-Finals (5.2R)



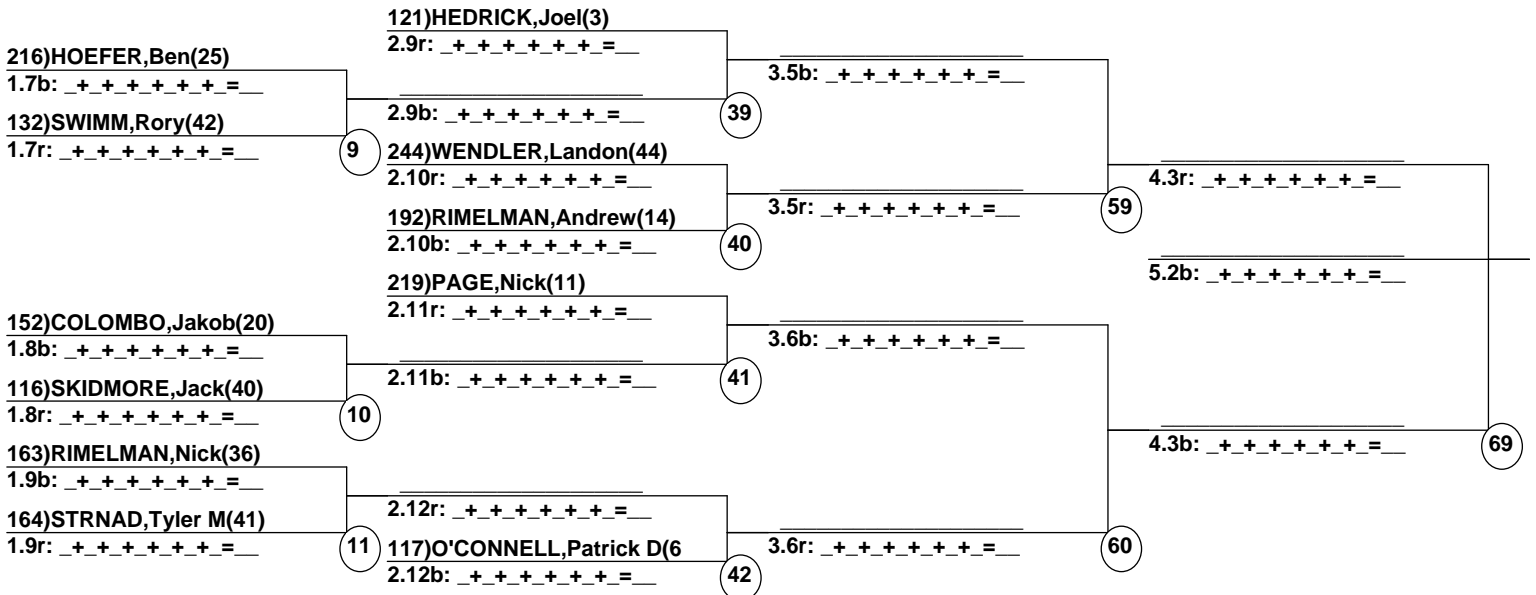
Male Road to Semi-Finals (5.1B)



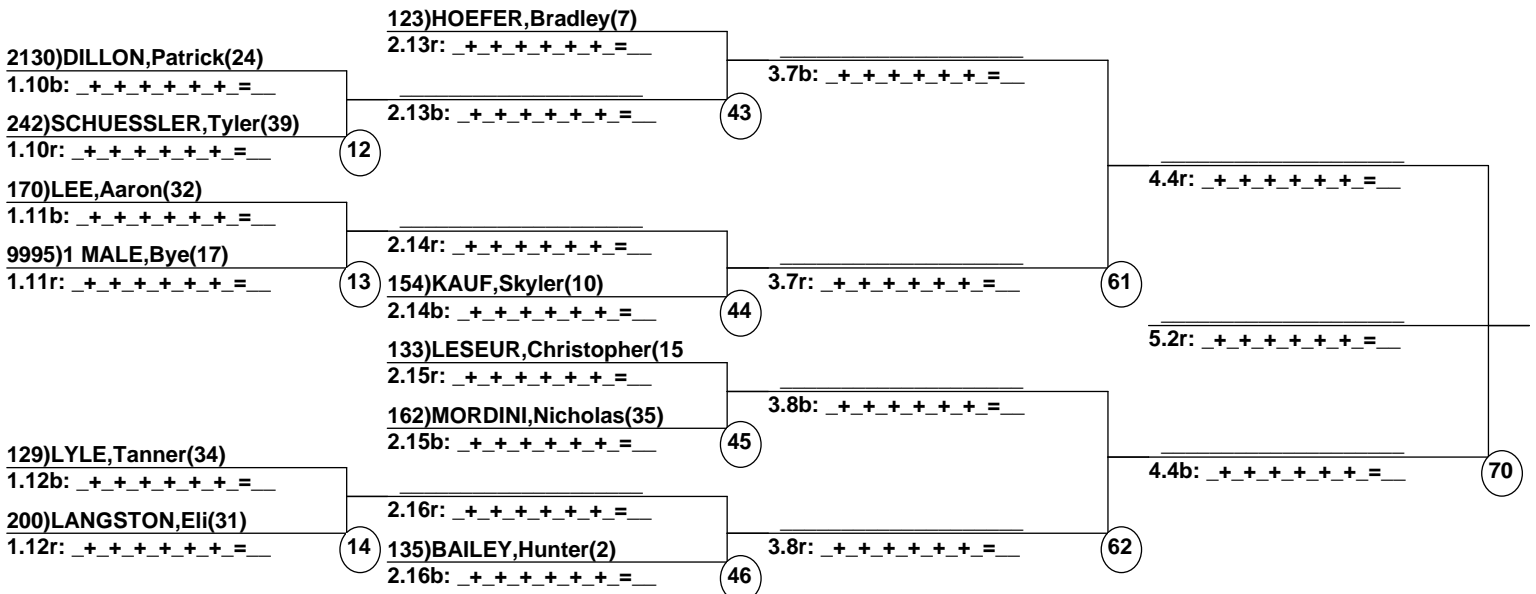
Male Road to Semi-Finals (5.1R)



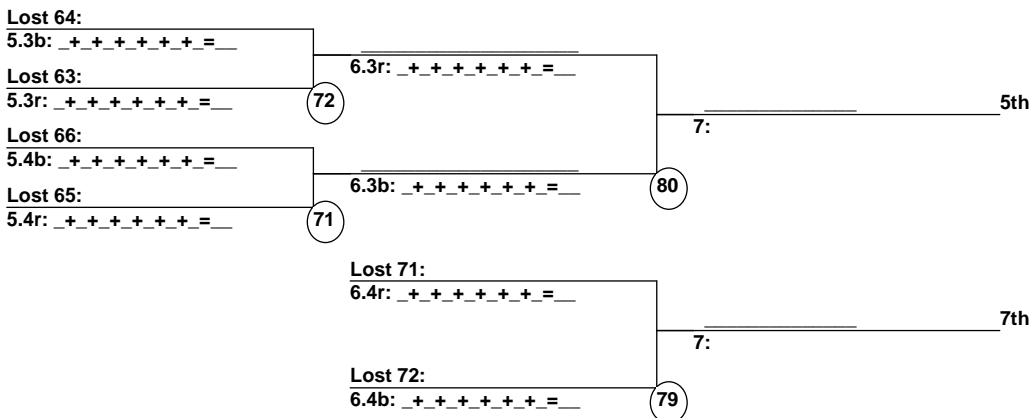
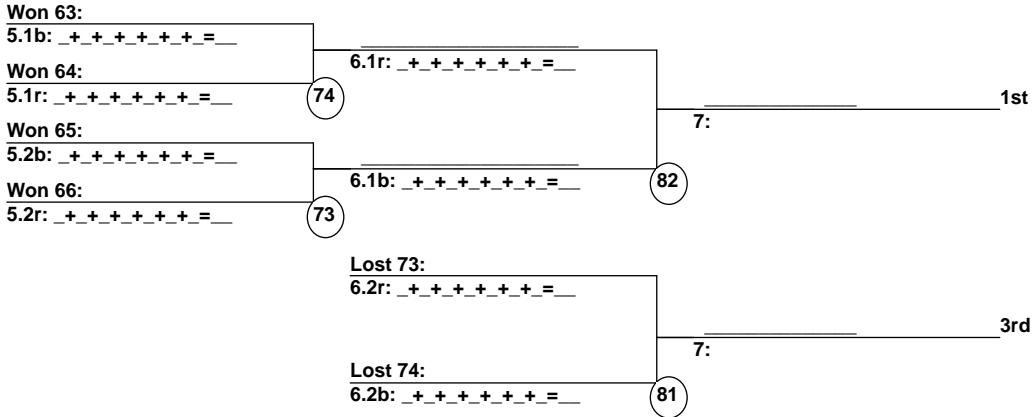
Male Road to Semi-Finals (5.2B)



Male Road to Semi-Finals (5.2R)



FemaleSemi-Finals



MaleSemi-Finals

