



# Spring Cool Down

Arapahoe Basin  
Apr 6, 2014 (Sun) (U0417) (U0416)

## SUNDAY DUAL BRACKET

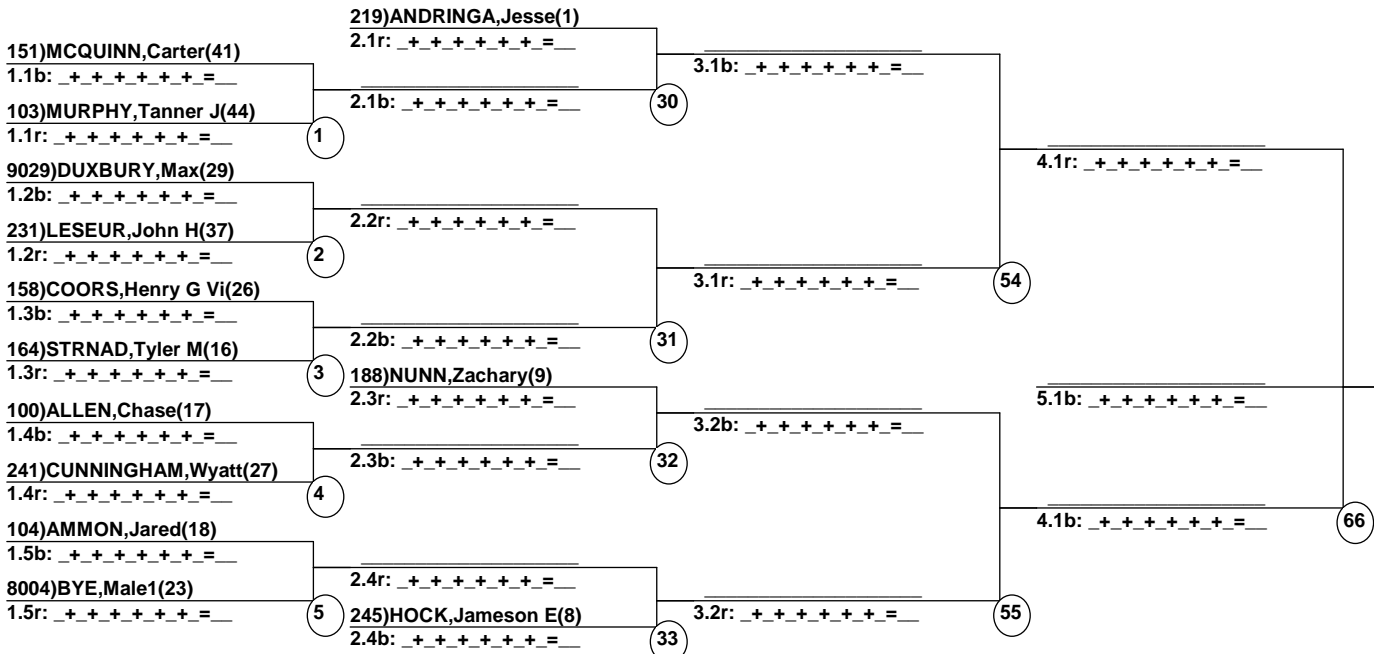
Head Judge: MCNICE, Bill  
 Chief of Comp: ANDRINGA, Conrad J  
 T.D.: MATTHEWS, Craig  
 Chief of Scoring: WRIGHT, Kari

\_\_\_\_ Head Judge  
 \_\_\_\_ Chief of Scoring  
 \_\_\_\_ T.D.

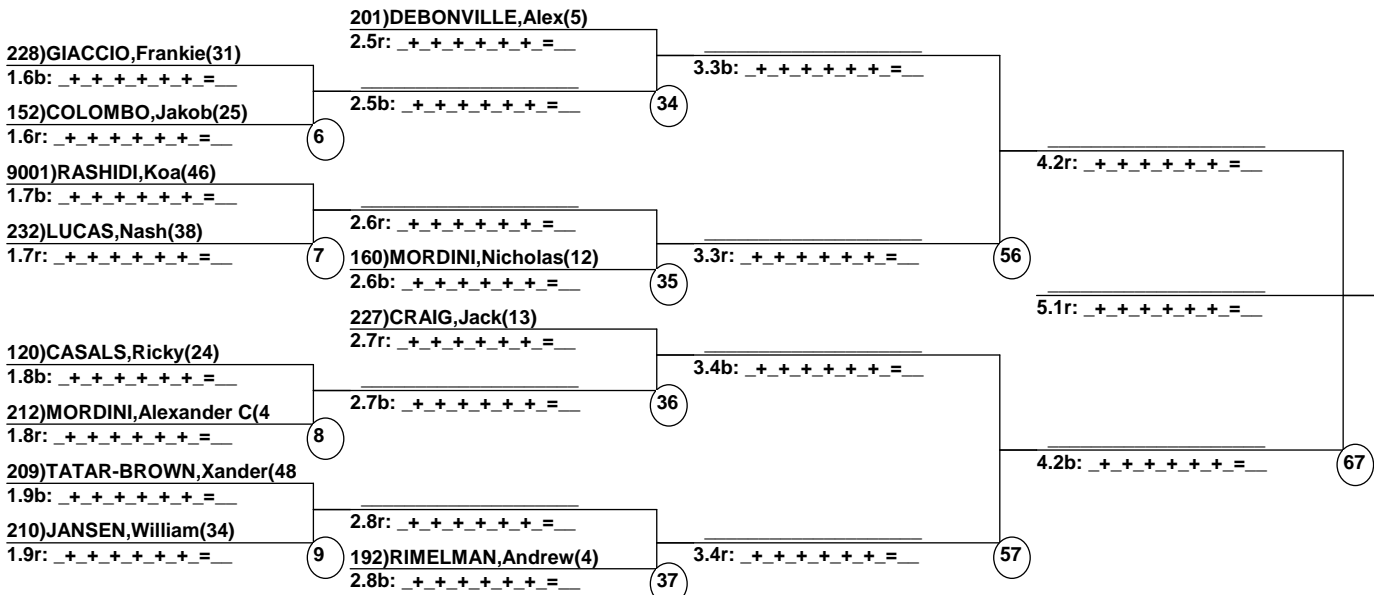
SUNDAY DUAL BRACKET

-----  
 Duals Run 1                      Entrants                      Date: Apr 5, 2014 (Sat)  
 Female/Male                      (By Duals Run-order)              Time: 9:49 pm  
 Arapahoe Basin                      Spring Cool Down  
 -----

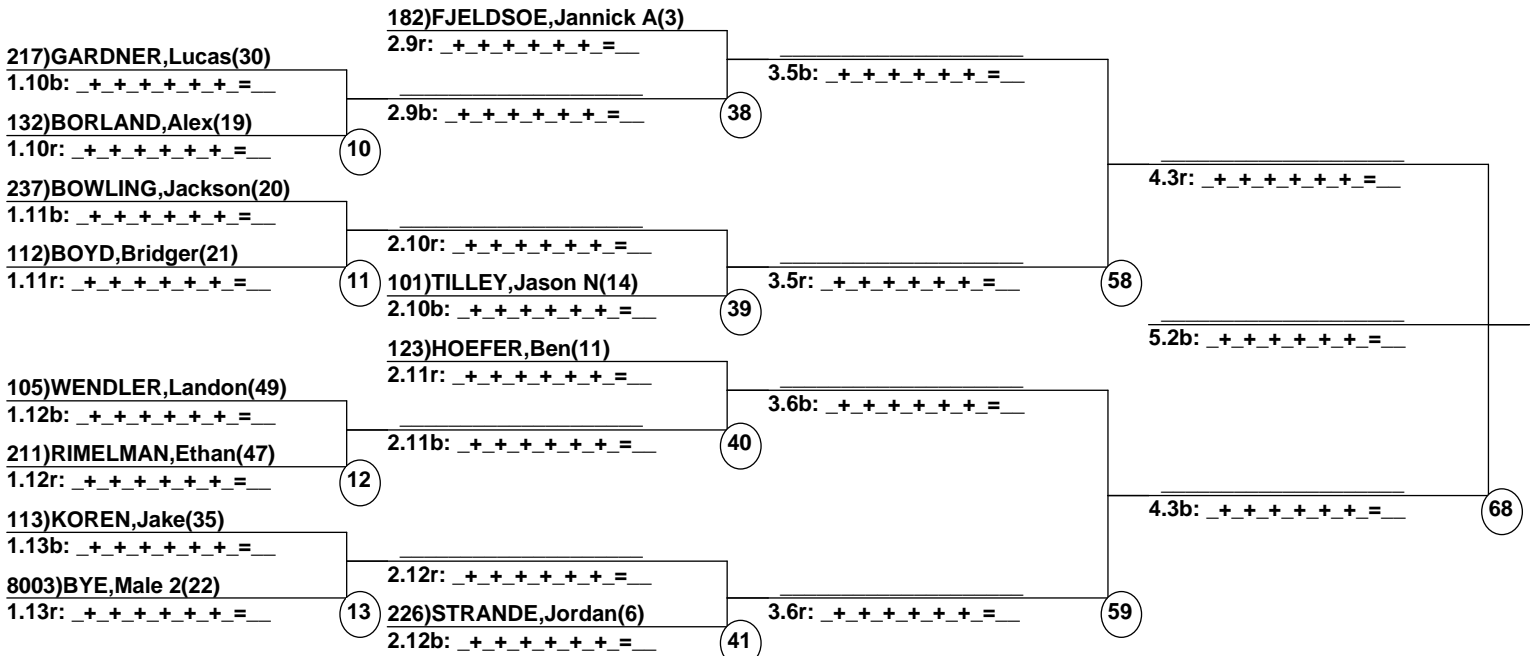
### Male Road to Semi-Finals (5.1B)



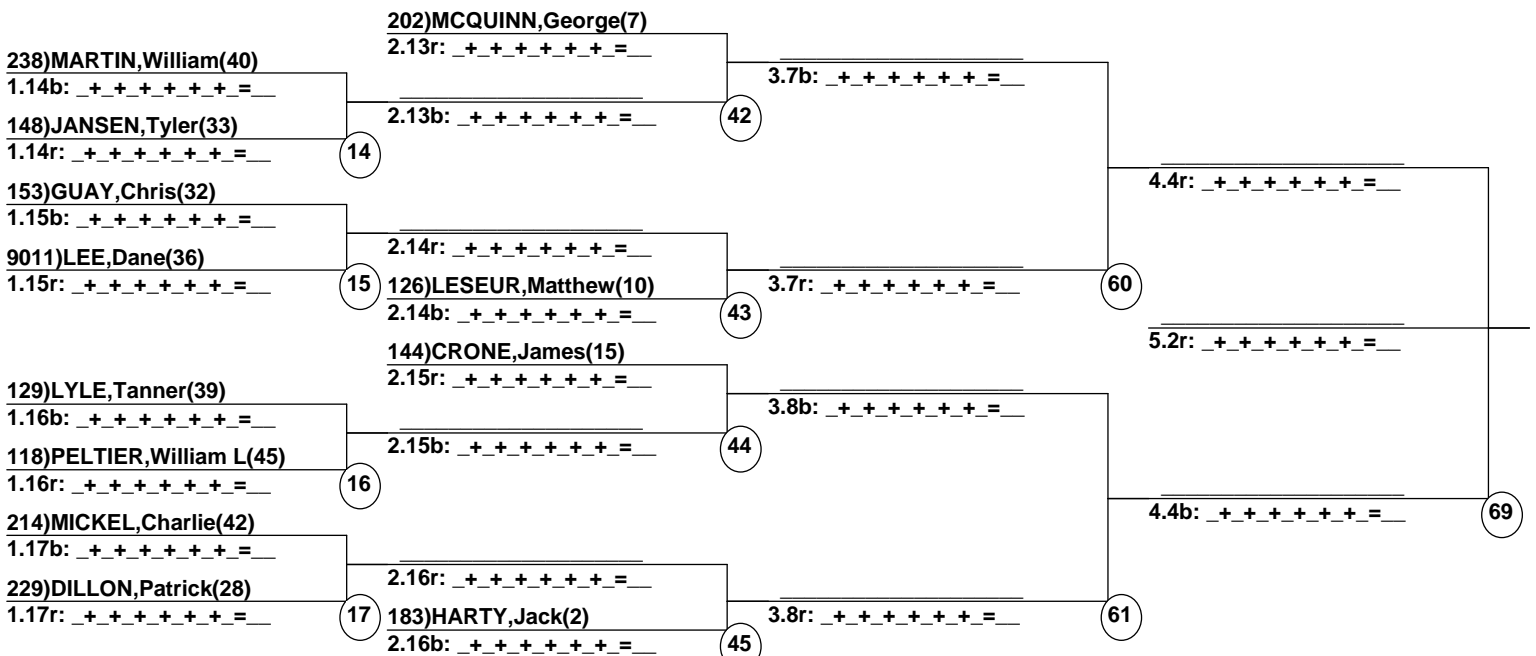
### Male Road to Semi-Finals (5.1R)



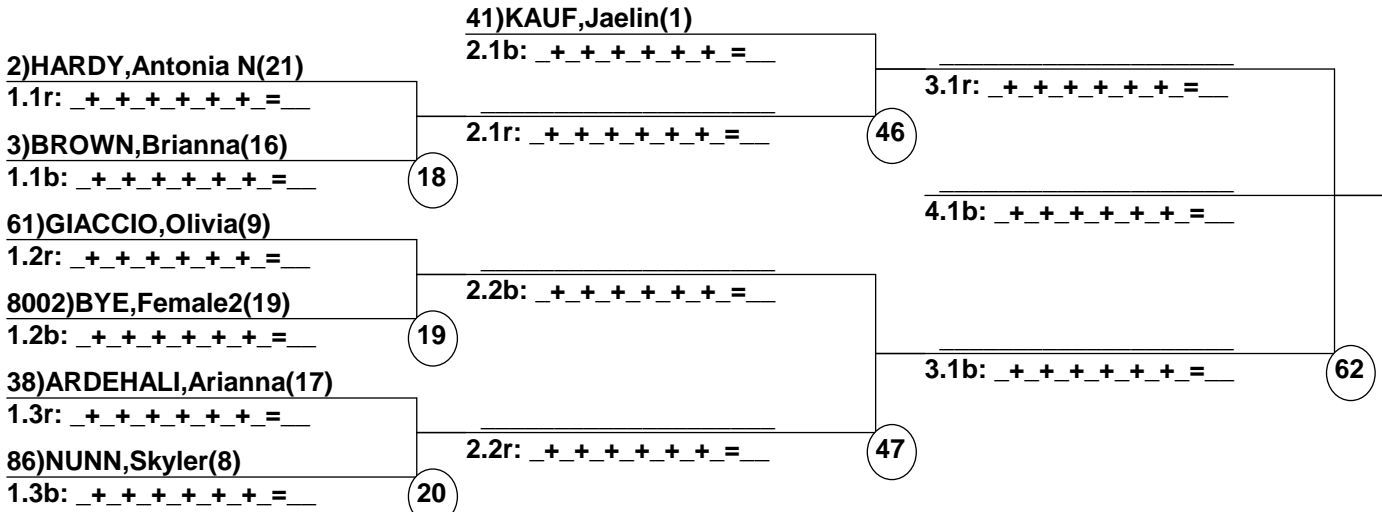
Male Road to Semi-Finals (5.2B)



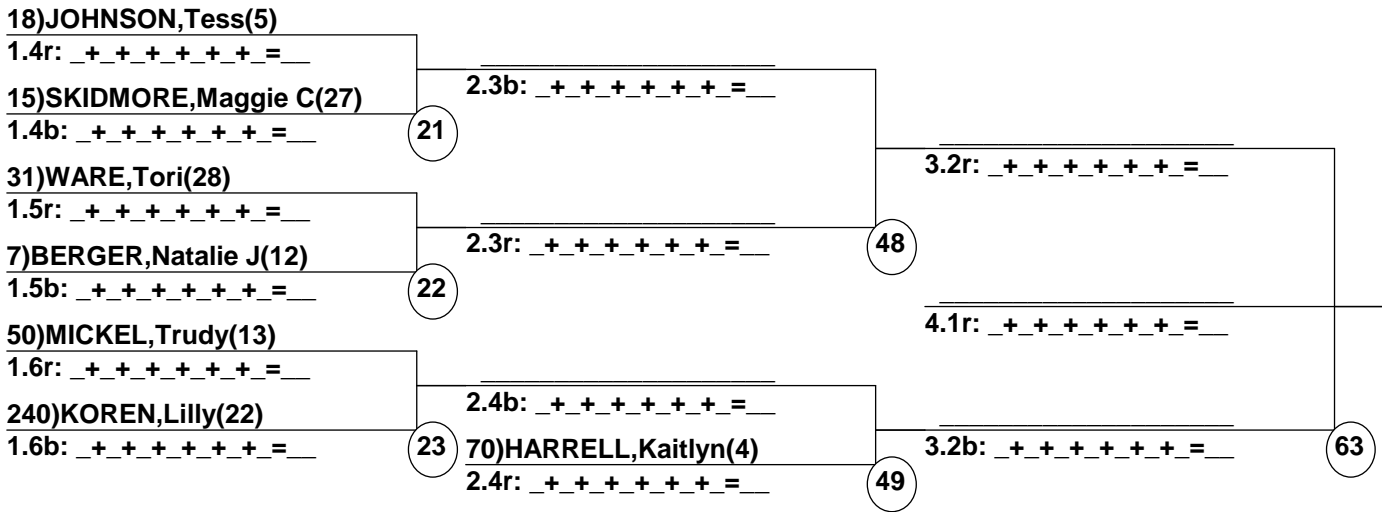
Male Road to Semi-Finals (5.2R)



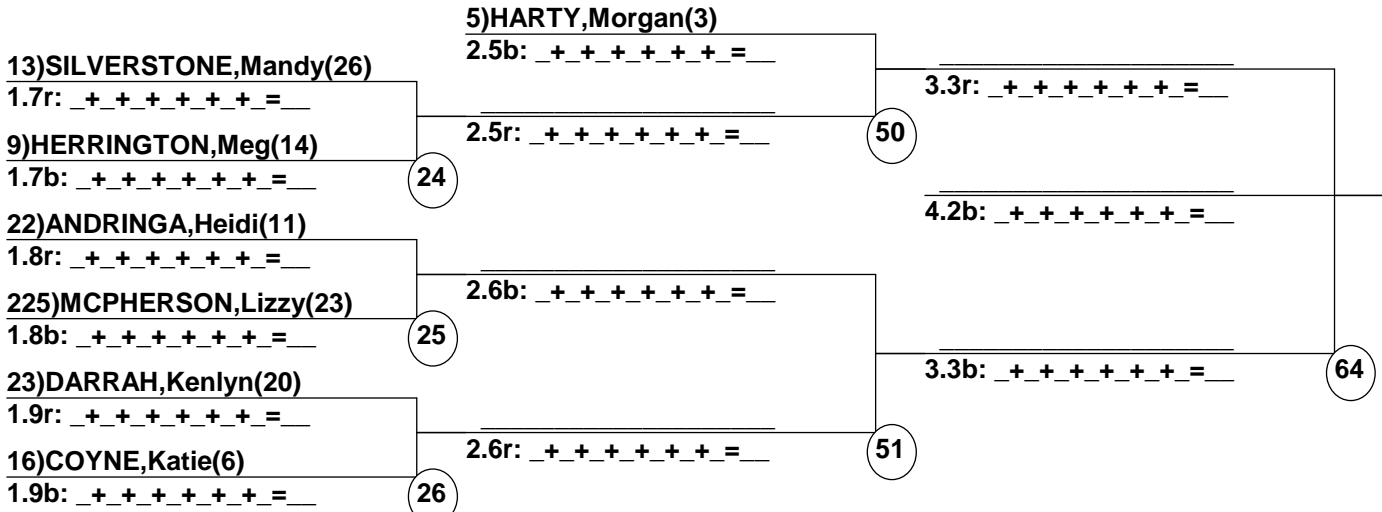
Female Road to Semi-Finals (4.1B)



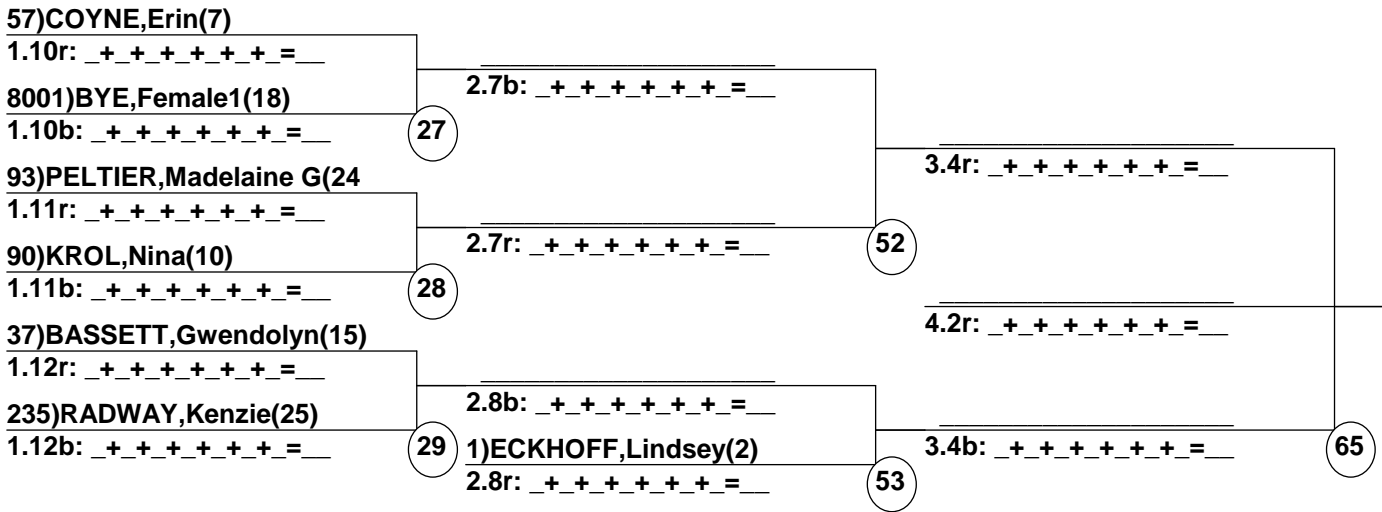
Female Road to Semi-Finals (4.1R)



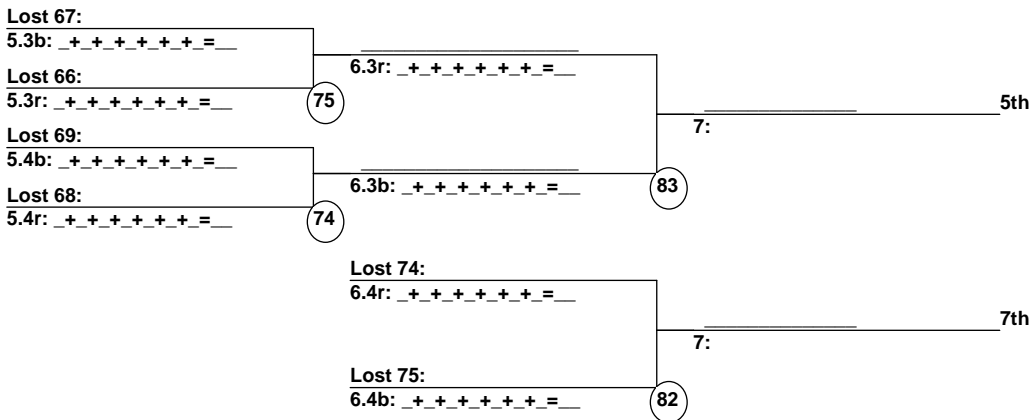
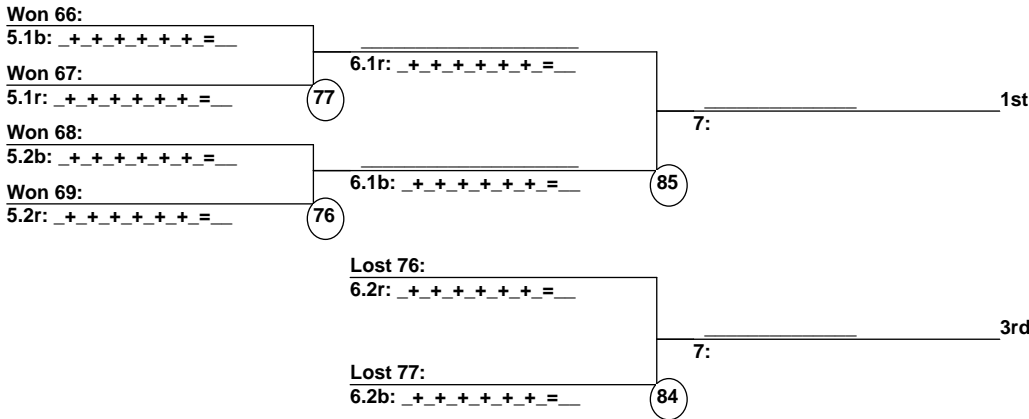
Female Road to Semi-Finals (4.2B)



Female Road to Semi-Finals (4.2R)



MaleSemi-Finals



FemaleSemi-Finals

