



# Aspen Valley Moguls at Highlands

Aspen Highlands

Jan 19, 2014 (Sun) (U0243) (U0242)

## DUAL BRACKET SUNDAY

Head Judge: ELLIS, Christopher P

Chief of Comp: NUNN, Randall

T.D.: GANDOLFO, John

Chief of Scoring: LANA, Wendy

Head Judge

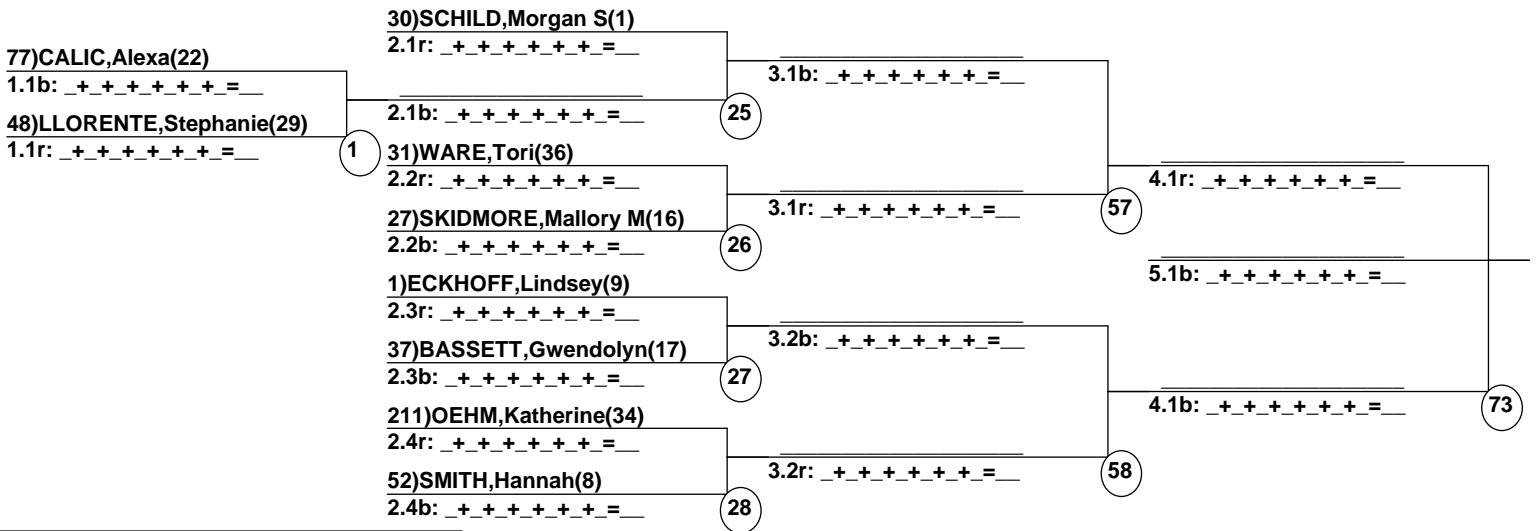
Chief of Scoring

T.D.

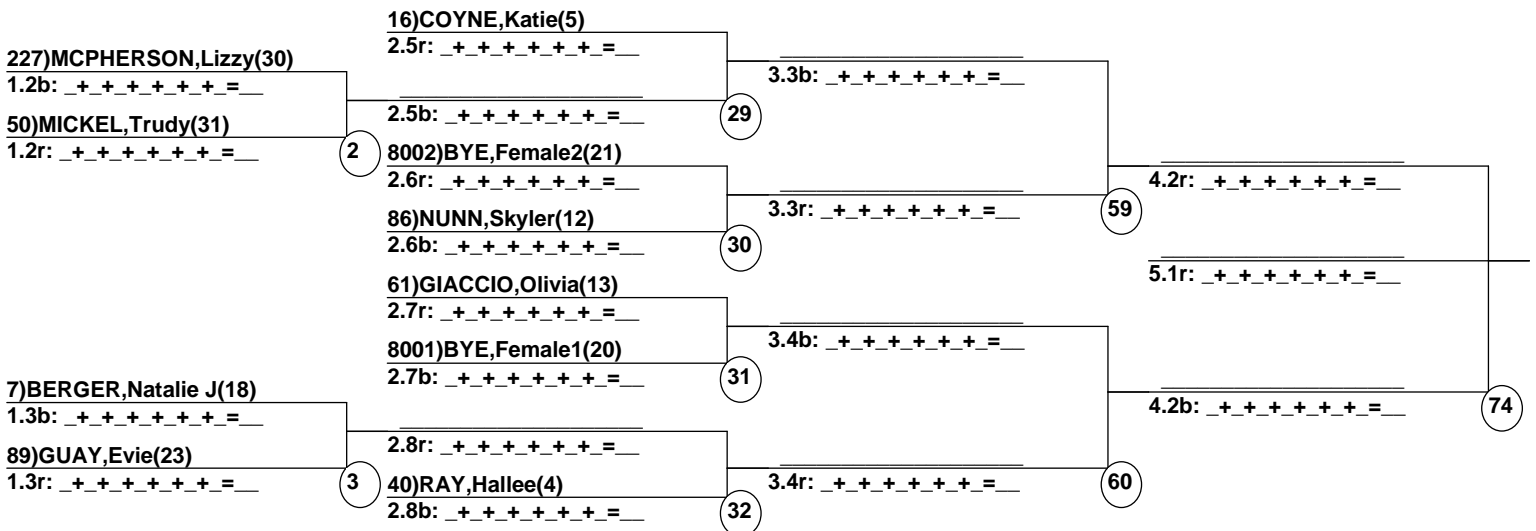
### DUAL BRACKET SUNDAY

Duals Run 1	Entrants	Date: Jan 18, 2014 (Sat)
Female/Male	(By Duals Run-order)	Time: 8:31 pm
Aspen Highlands	Aspen Valley Moguls	

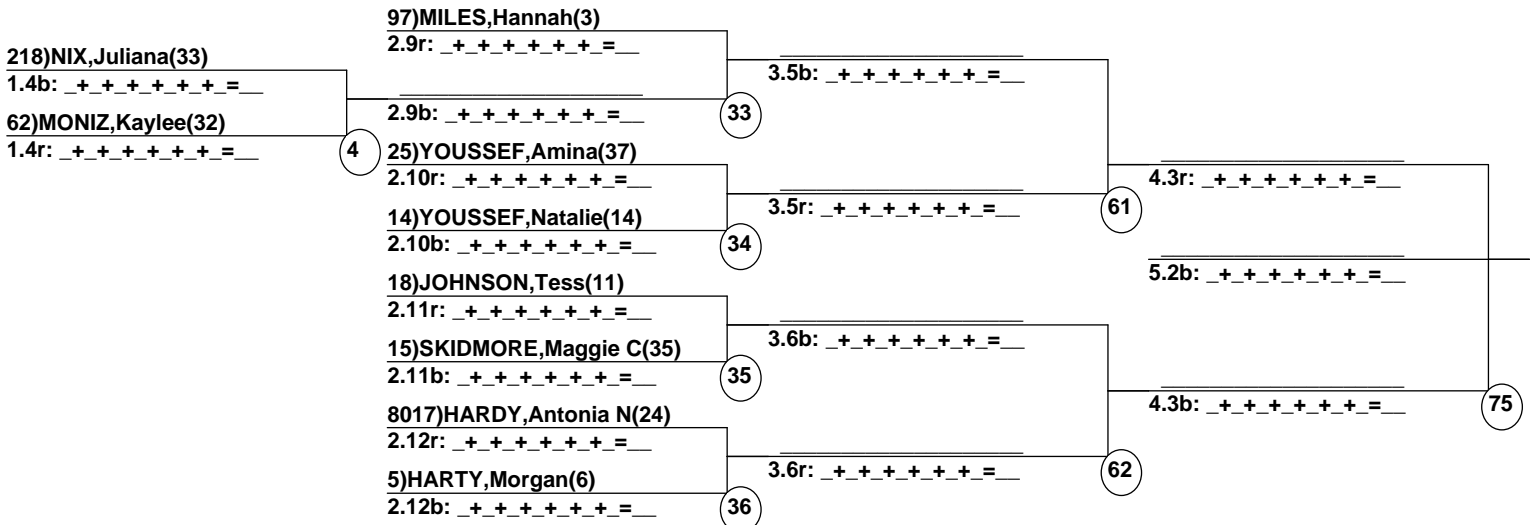
#### Female Road to Semi-Finals (5.1B)



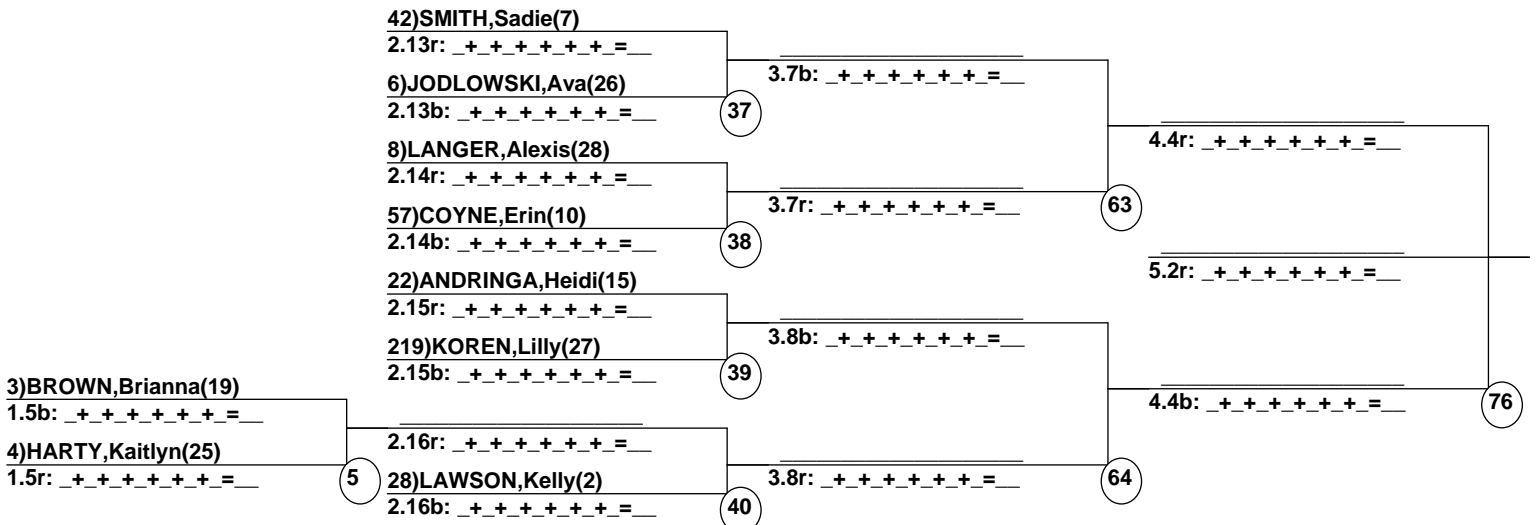
#### Female Road to Semi-Finals (5.1R)



Female Road to Semi-Finals (5.2B)

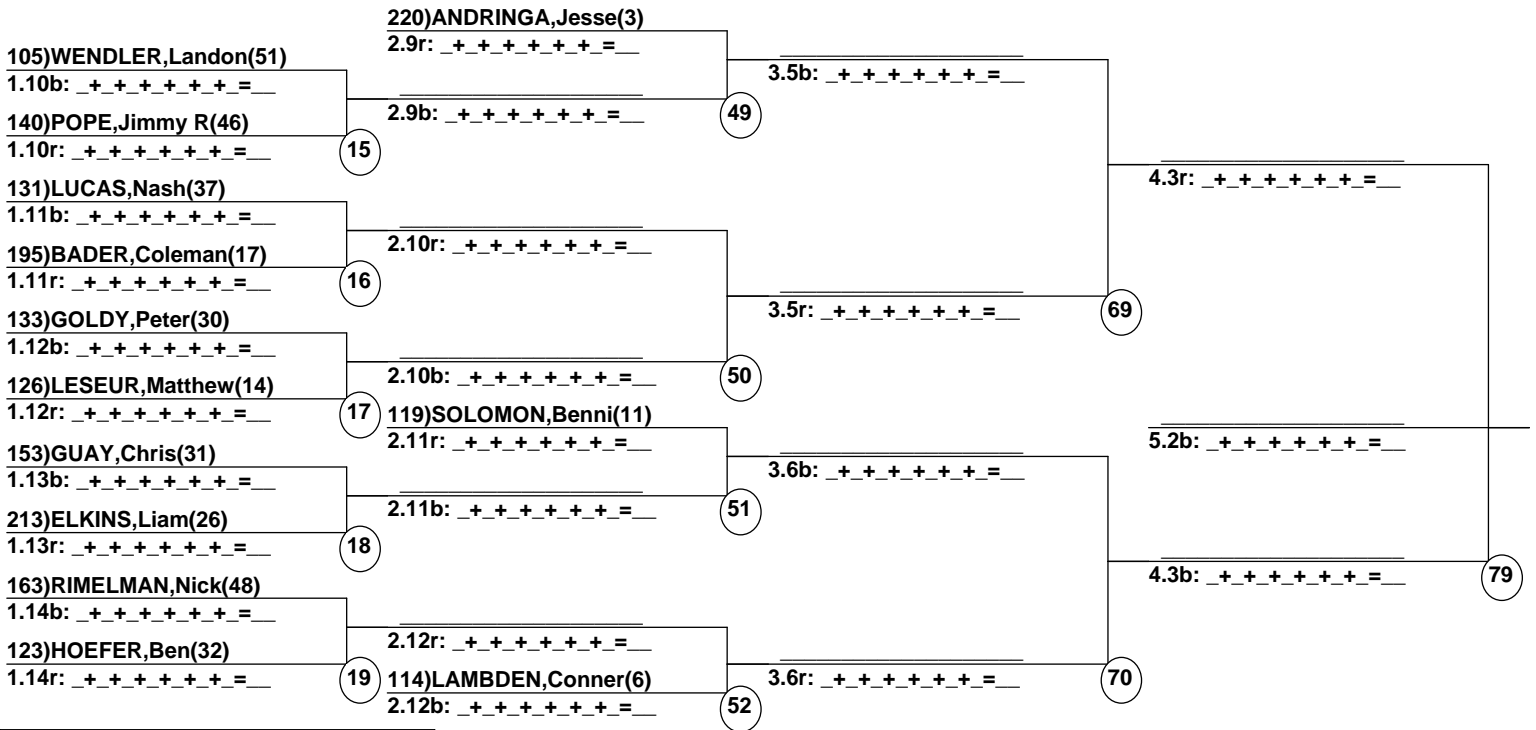


Female Road to Semi-Finals (5.2R)

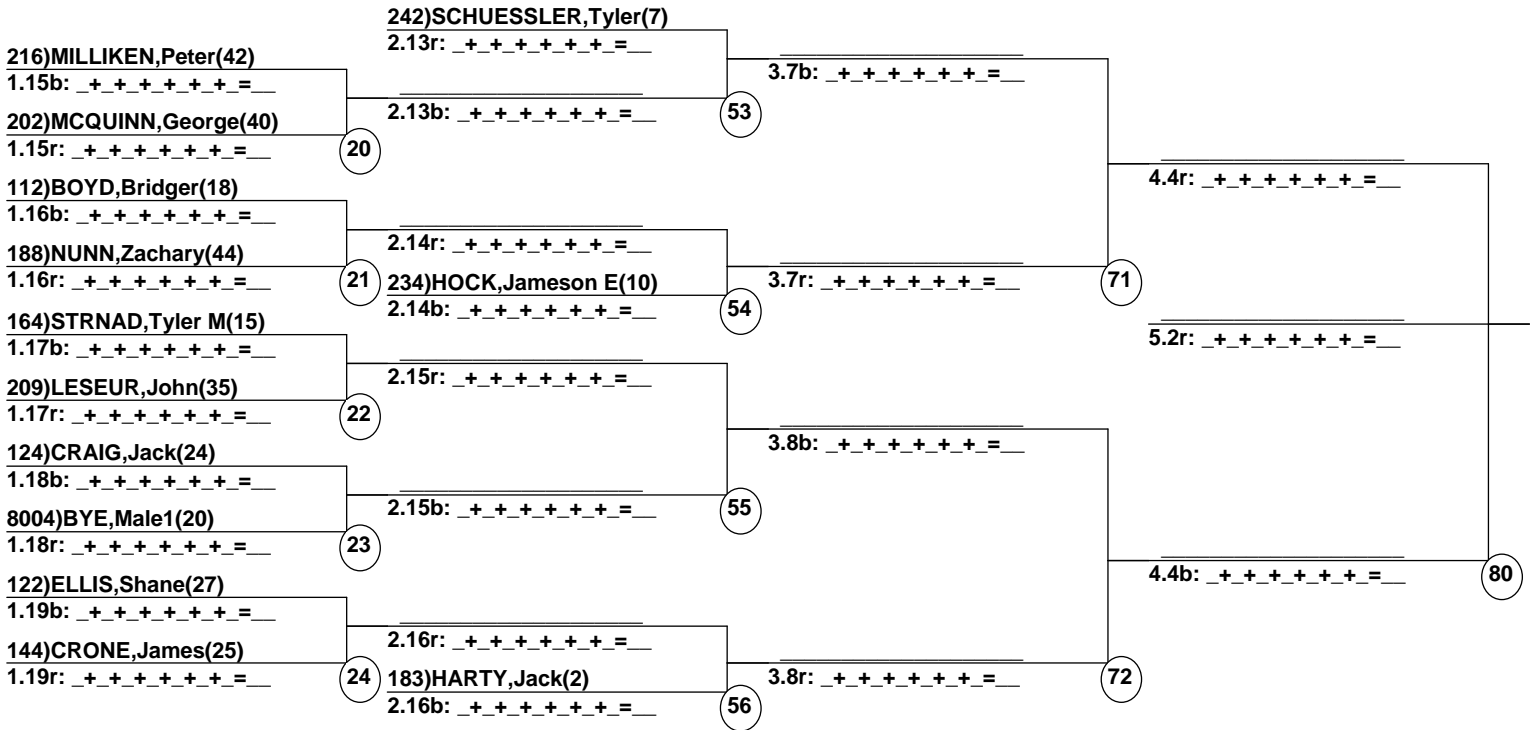




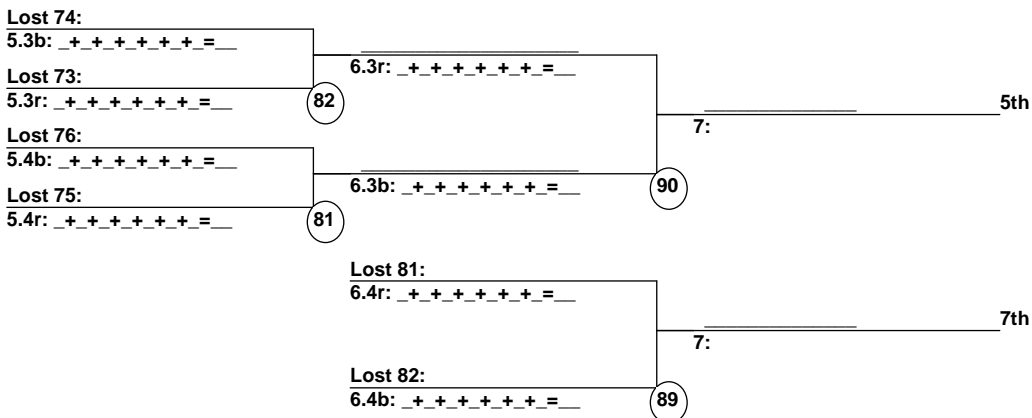
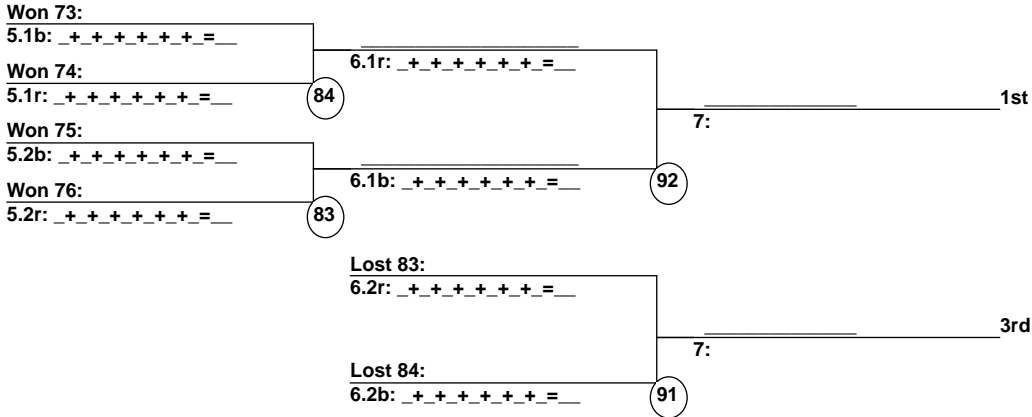
Male Road to Semi-Finals (5.2B)



Male Road to Semi-Finals (5.2R)



FemaleSemi-Finals



MaleSemi-Finals

