



Aspen Valley Moguls

Aspen Highlands

Jan 19, 2015 (Mon) (U0850) (U0849)

Head Judge: BURROWS,Jeff P
Chief of Comp: ANDRINGA,Conrad J
T.D.: MICHALOWSKI,Jason
Chief of Scoring: SCHUESSLER,Rob

Course: Thunderbowl

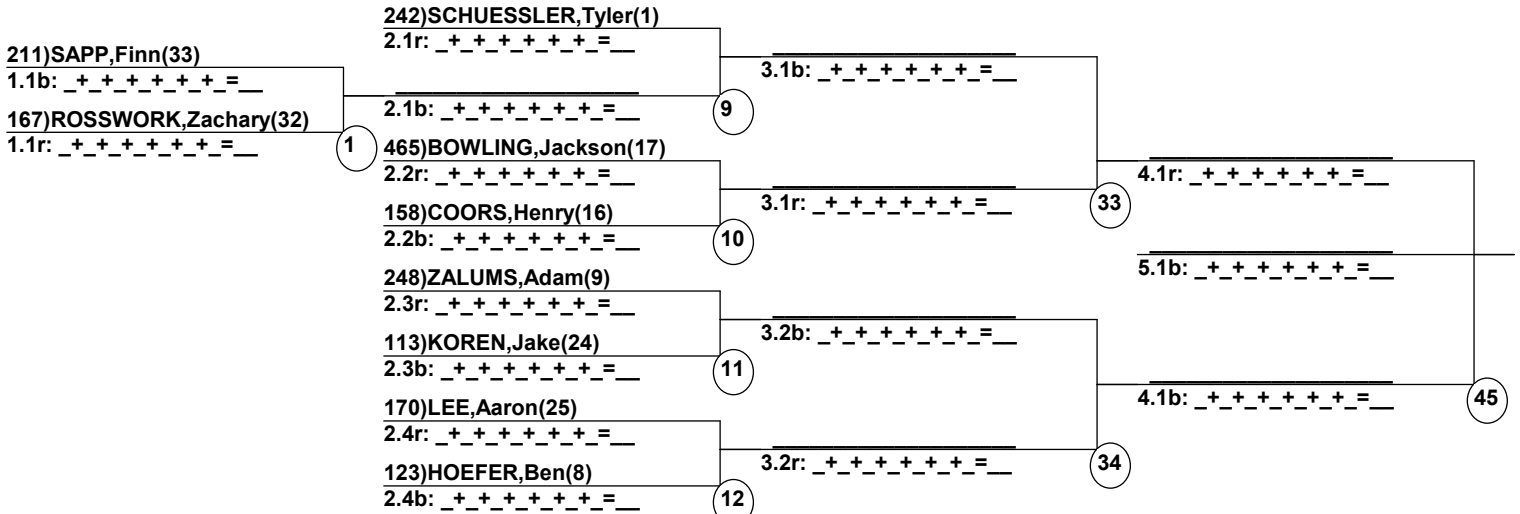
Head Judge

Chief of Scoring

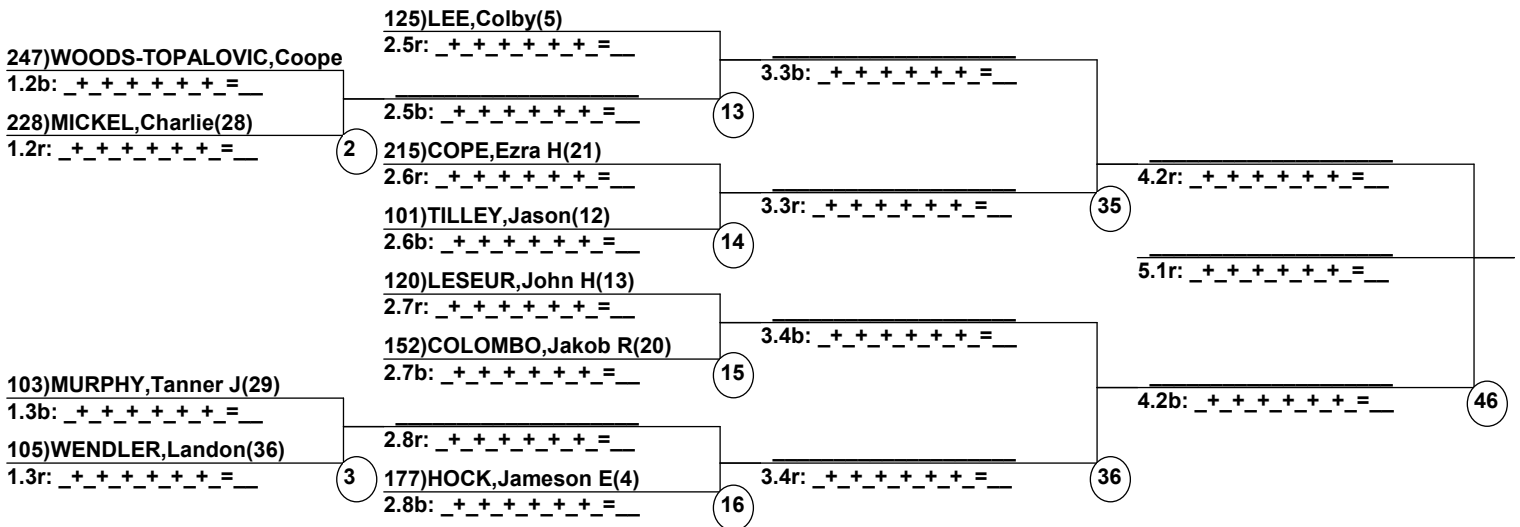
T.D.

Duals Run 1 Entrants Date: Jan 18, 2015 (Sun)
Female/Male (By Duals Run-order) Time: 7:50 pm
Aspen Highlands Aspen Valley Moguls

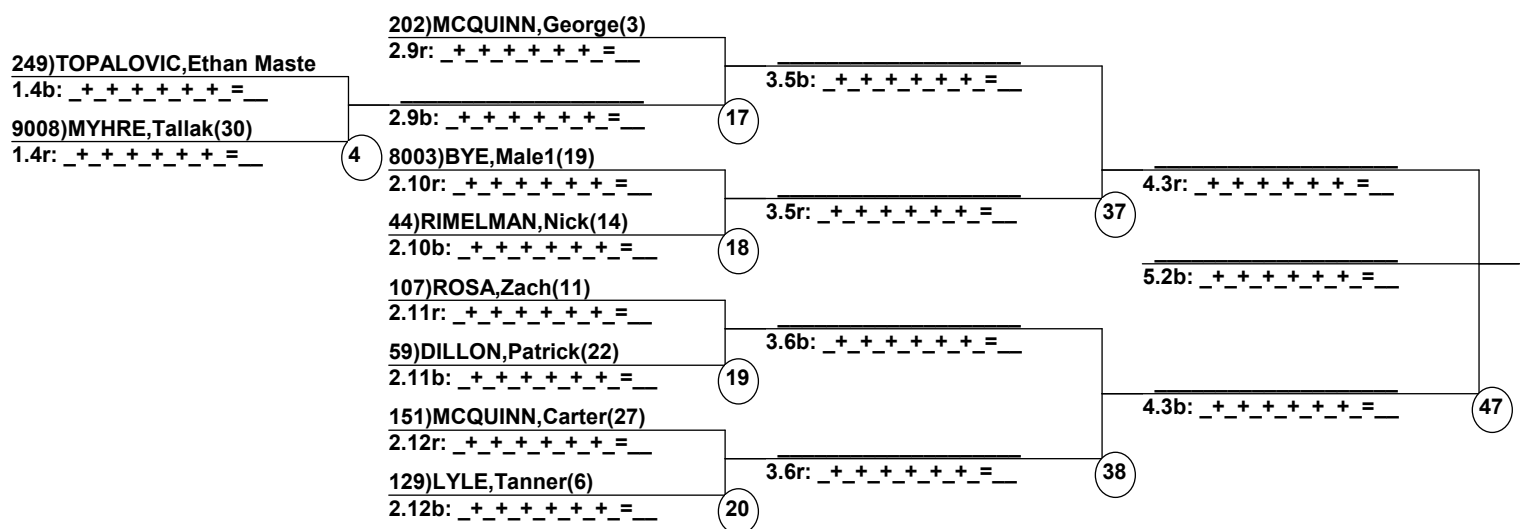
Male Road to Semi-Finals (5.1B)



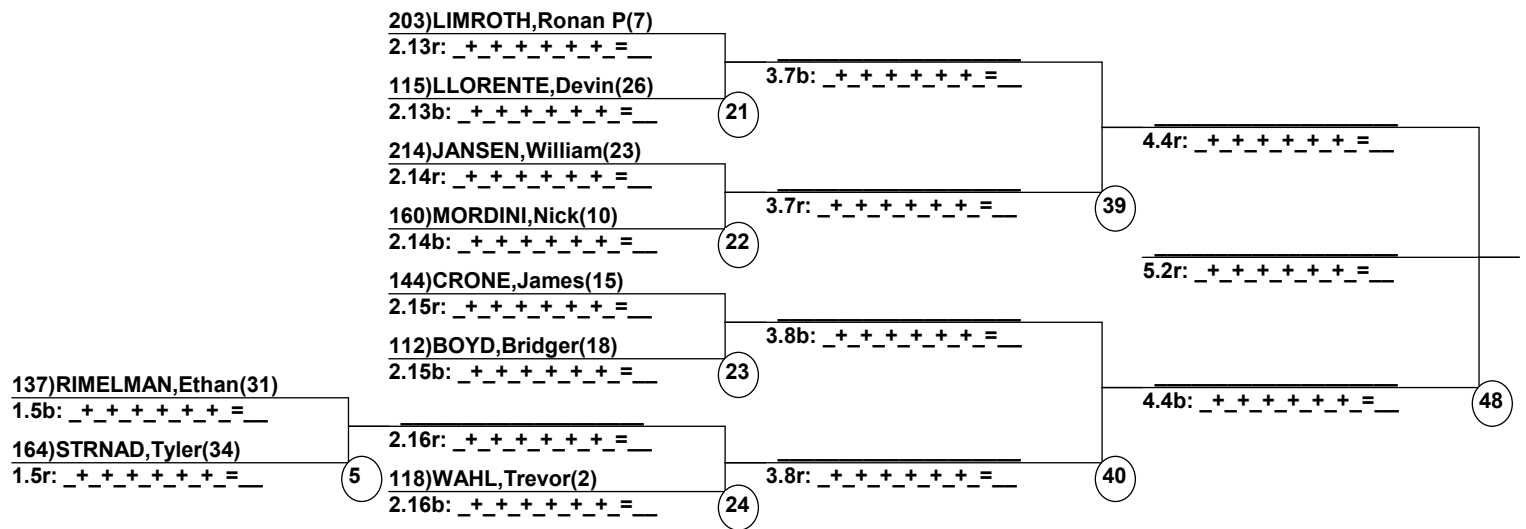
Male Road to Semi-Finals (5.1R)



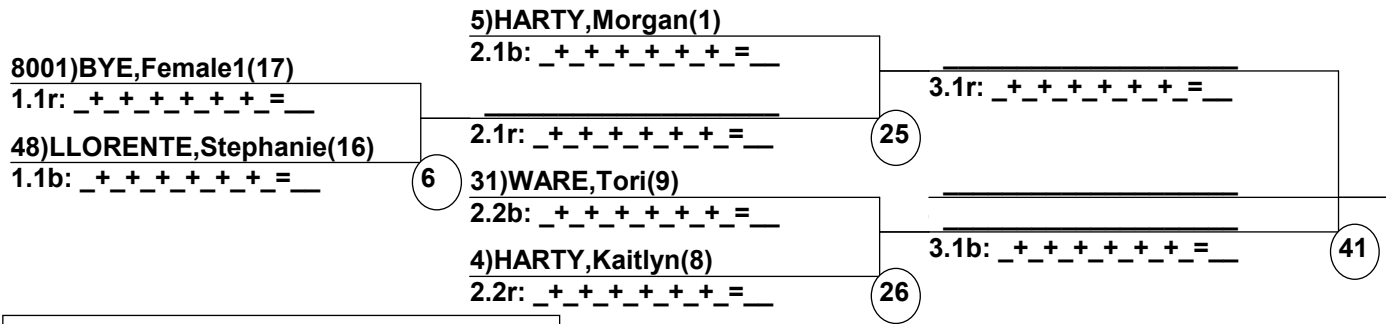
Male Road to Semi-Finals (5.2B)



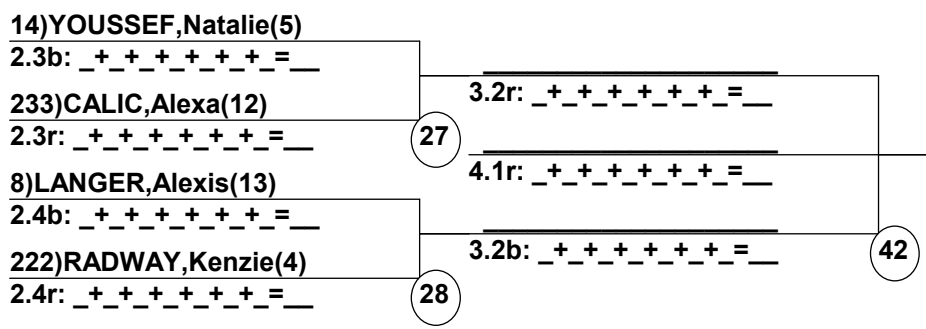
Male Road to Semi-Finals (5.2R)



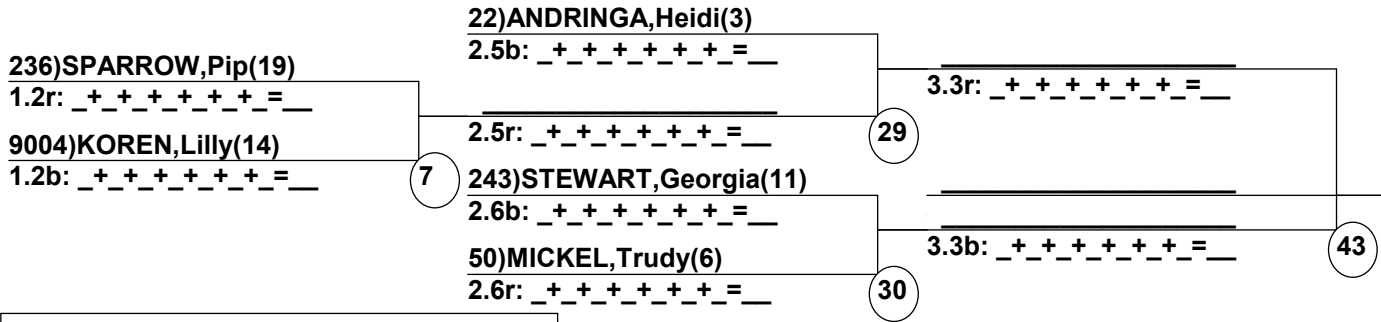
Female Road to Semi-Finals (4.1B)



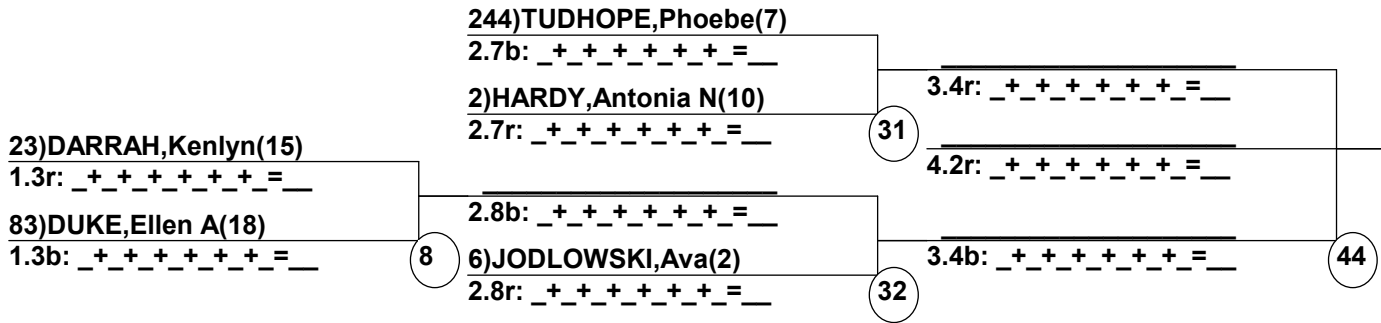
Female Road to Semi-Finals (4.1R)



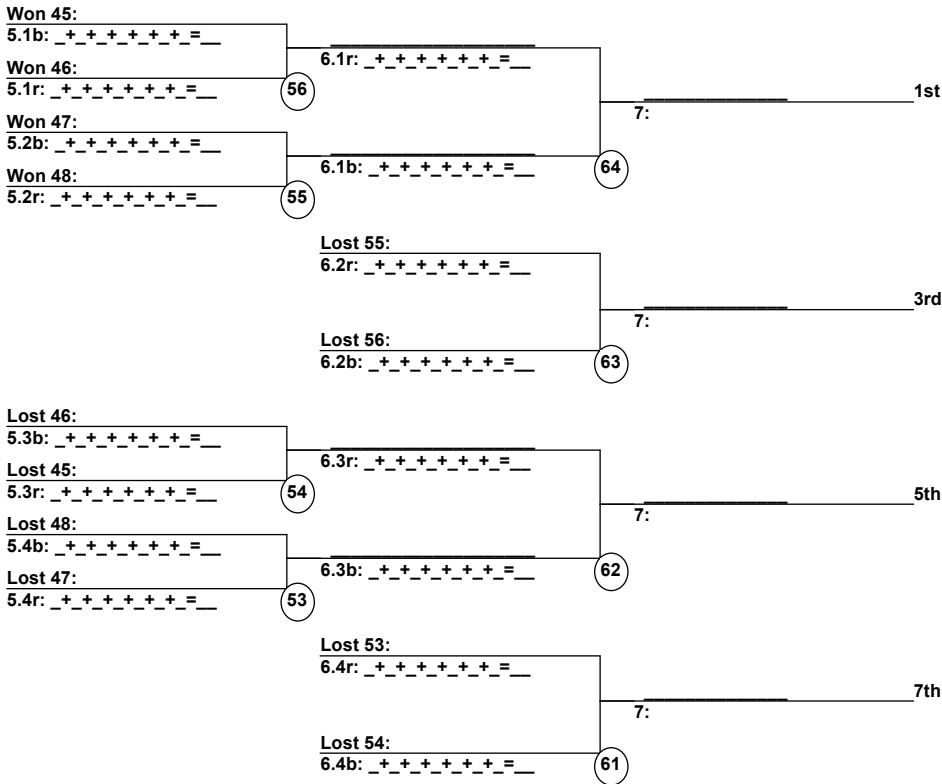
Female Road to Semi-Finals (4.2B)



Female Road to Semi-Finals (4.2R)



MaleSemi-Finals



FemaleSemi-Finals

