



SW Freestyle Open

Telluride

Feb 16, 2015 (Mon) (U0888) (U0887)

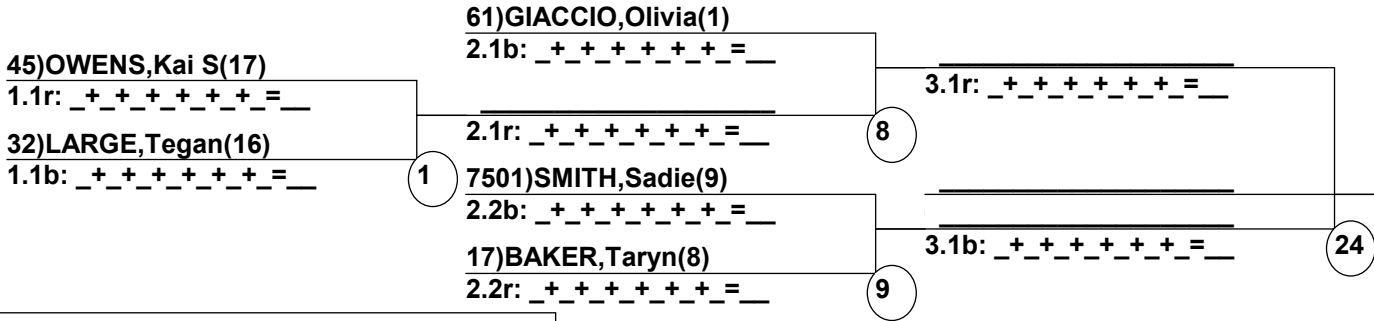
Head Judge: HENDRY,James A
Chief of Comp: NUNN,Randall
T.D.: MATTHEWS,Craig
Chief of Scoring: GIACCIO,Erin

Course: Hermit
Length: 235 m
Width: 11 m
Pitch: 24 deg

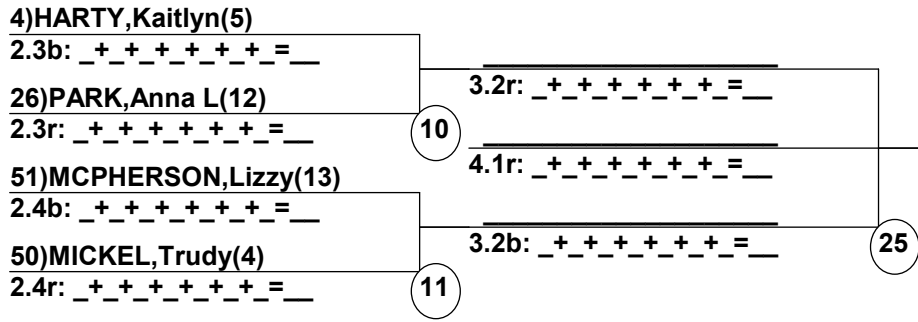
____ Head Judge
____ Chief of Scoring
____ T.D.

Duals Event Date: Feb 15, 2015 (Sun)
Female/Male (By Duals Run-order) Time: 6:13 pm
Telluride SW Freestyle Open

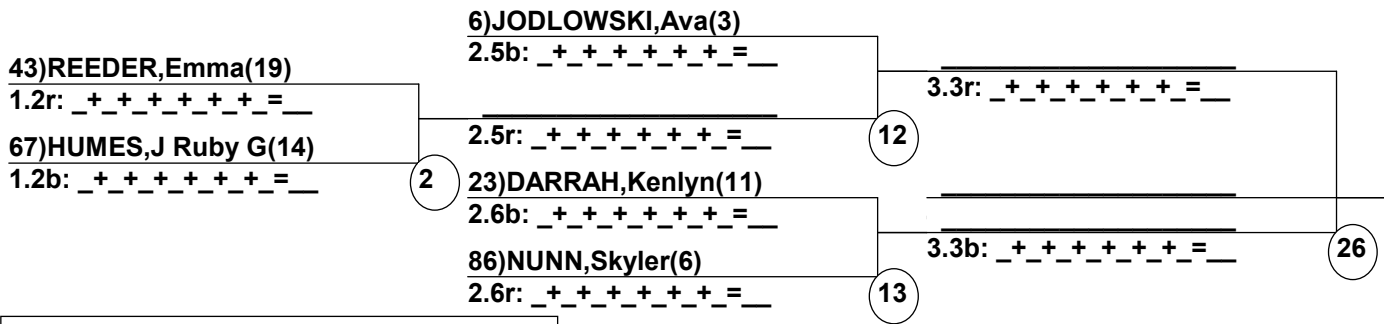
Female Road to Semi-Finals (4.1B)



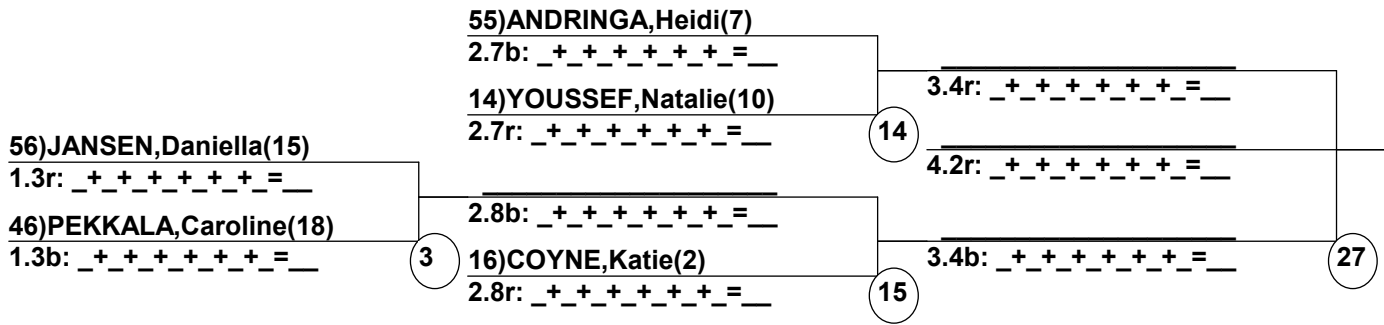
Female Road to Semi-Finals (4.1R)



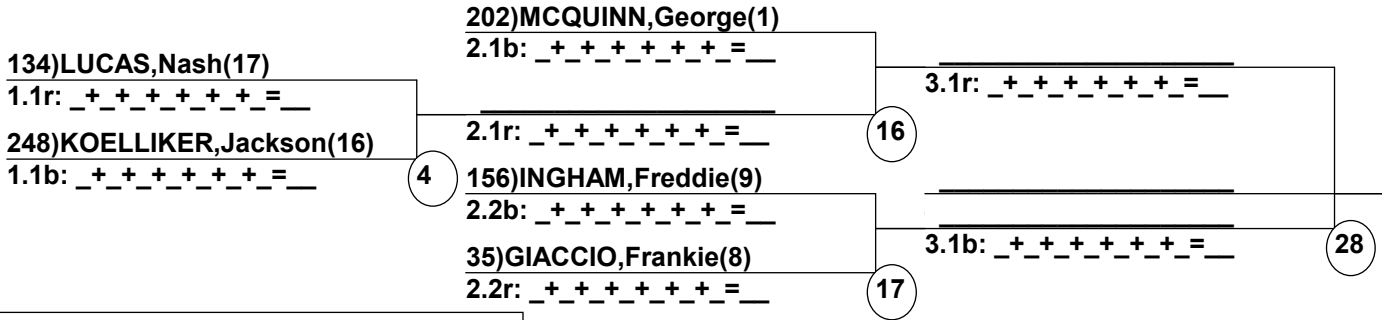
Female Road to Semi-Finals (4.2B)



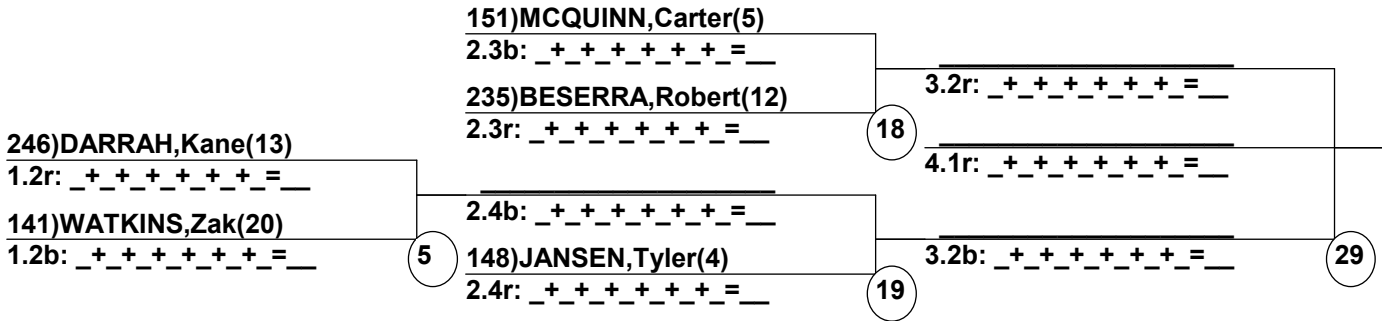
Female Road to Semi-Finals (4.2R)



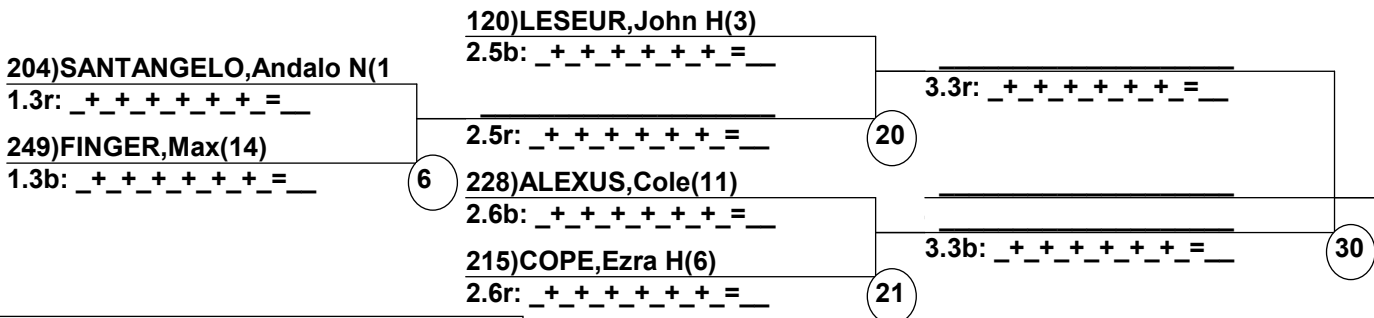
Male Road to Semi-Finals (4.1B)



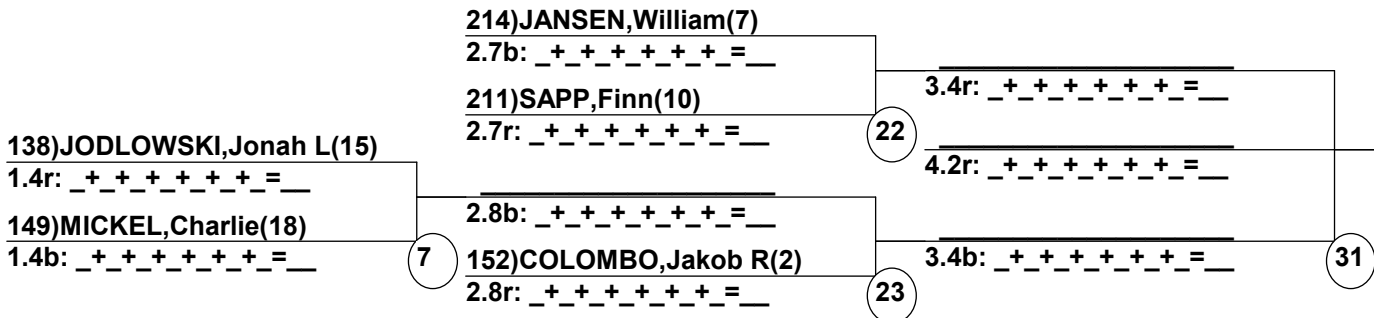
Male Road to Semi-Finals (4.1R)



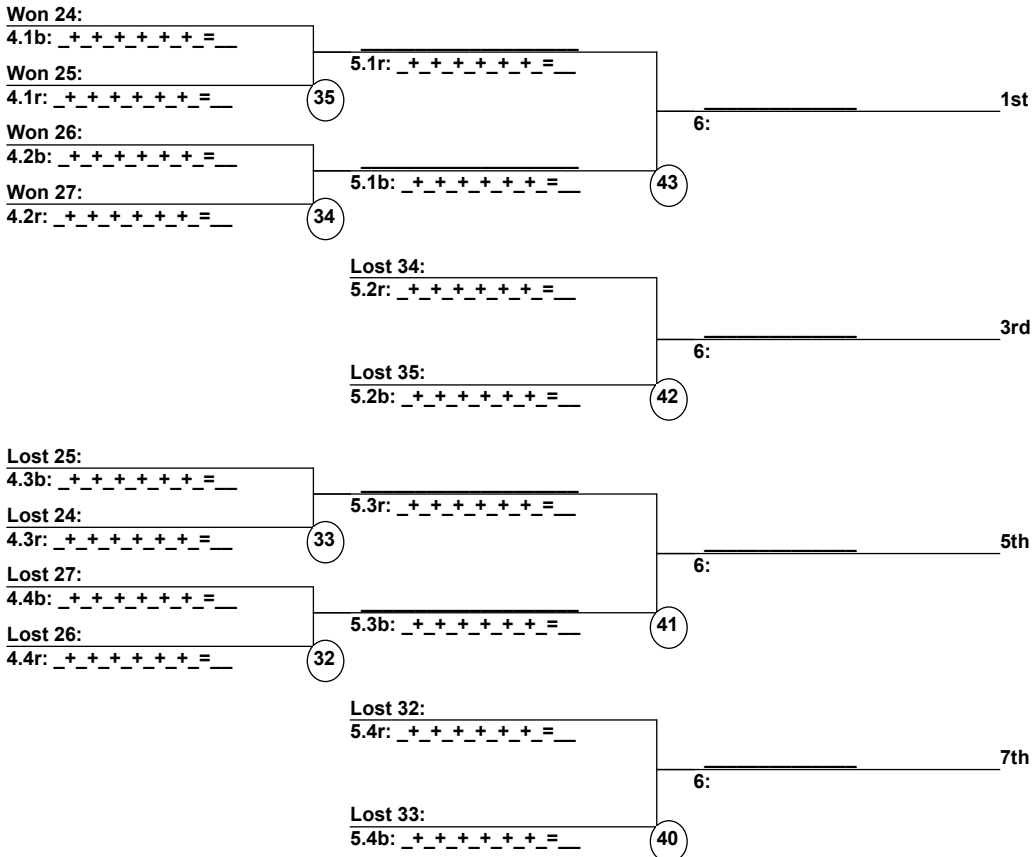
Male Road to Semi-Finals (4.2B)



Male Road to Semi-Finals (4.2R)



FemaleSemi-Finals



MaleSemi-Finals

