



Ski Town USA Freestyle

Steamboat

Jan 5, 2015 (Mon) (U0844) (U0843)

Head Judge: BUCHANAN,Stephen
Chief of Comp: NUNN,Randall
T.D.: MATTHEWS,Craig
Chief of Scoring: SCHUESSLER,Rob

Course: Voo Doo

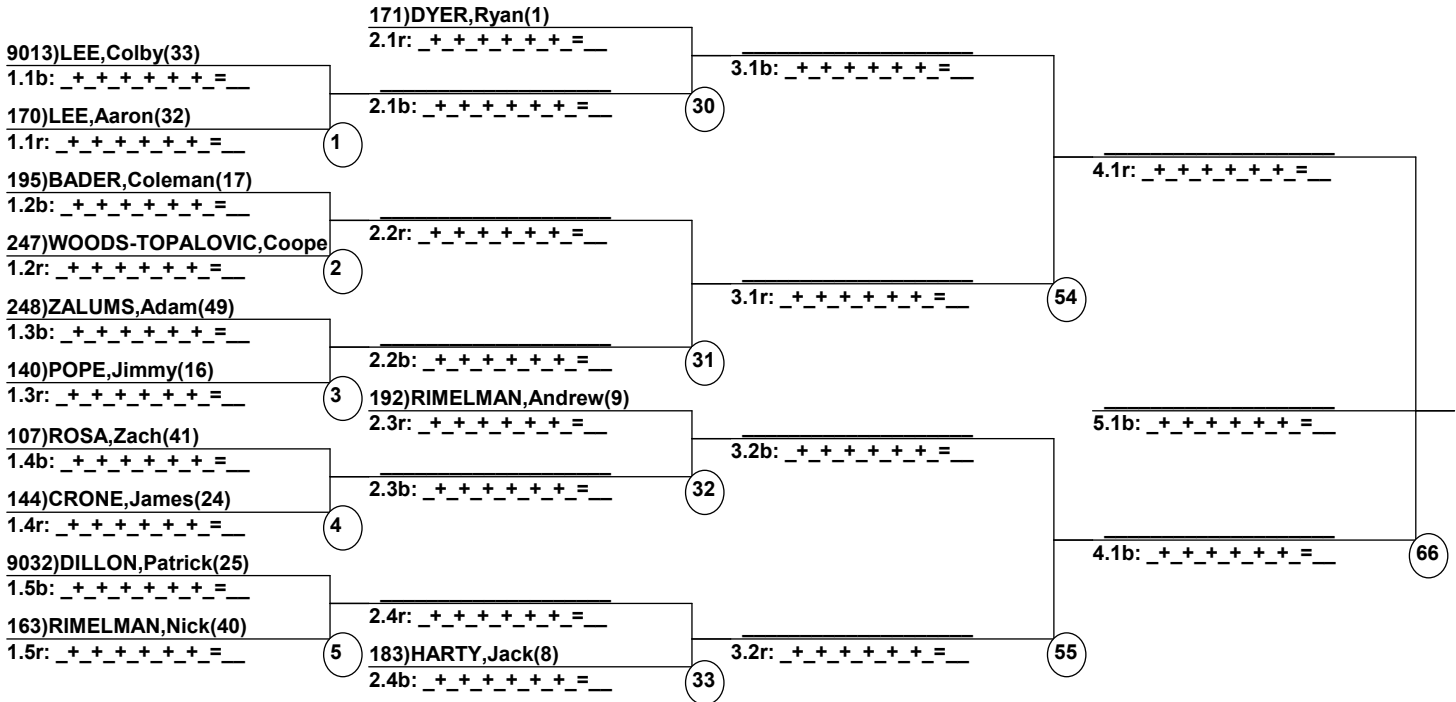
Head Judge

Chief of Scoring

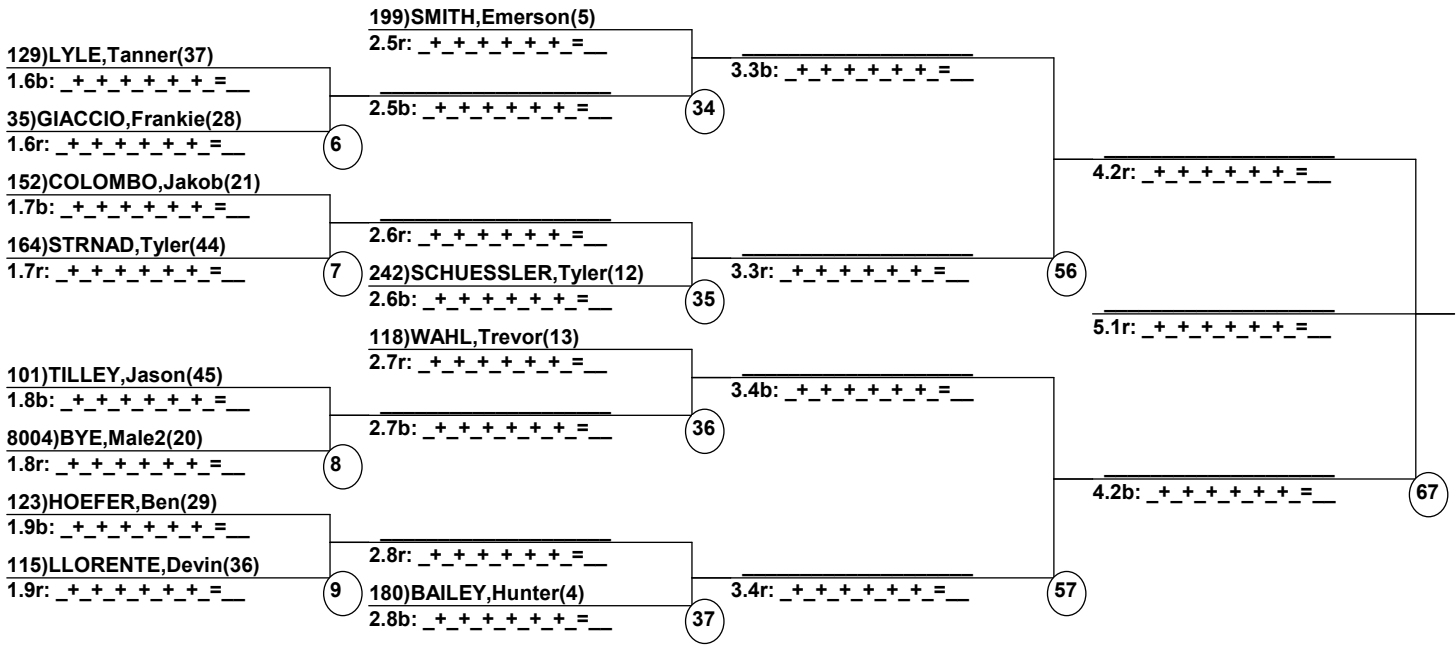
T.D.

Duals Run 1 Entrants Date: Jan 4, 2015 (Sun)
Female/Male (By Duals Run-order) Time: 5:41 pm
Steamboat Ski Town USA Freesty

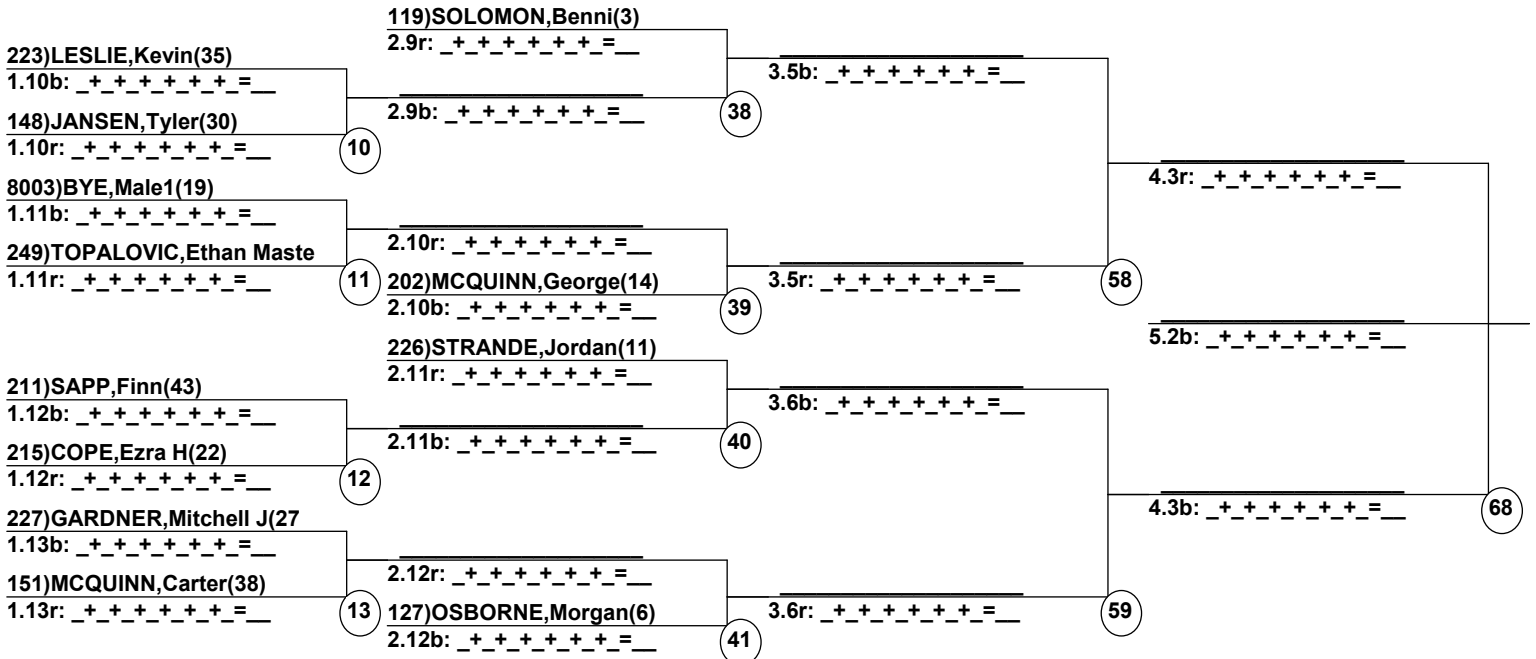
Male Road to Semi-Finals (5.1B)



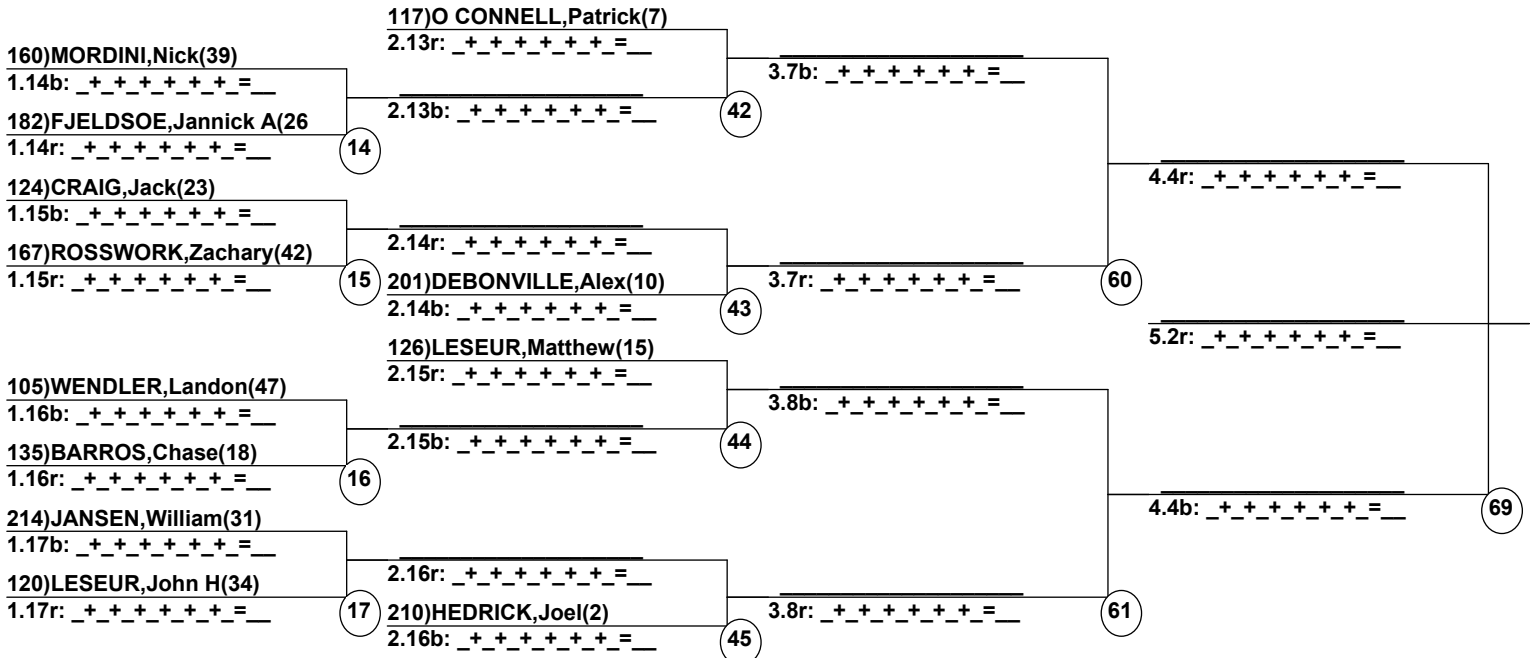
Male Road to Semi-Finals (5.1R)



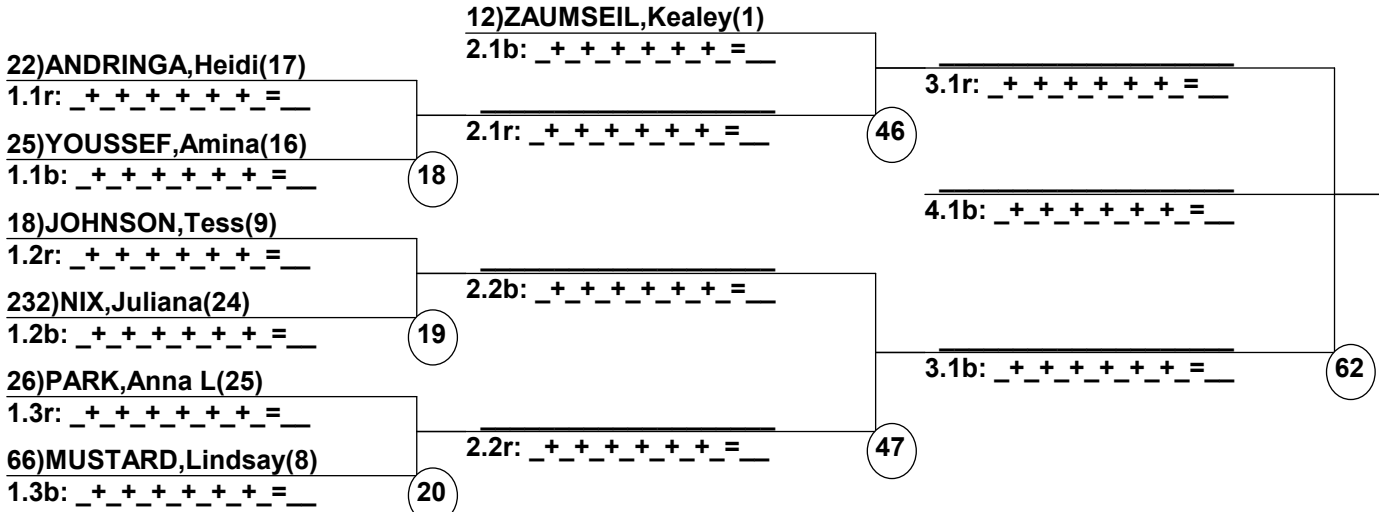
Male Road to Semi-Finals (5.2B)



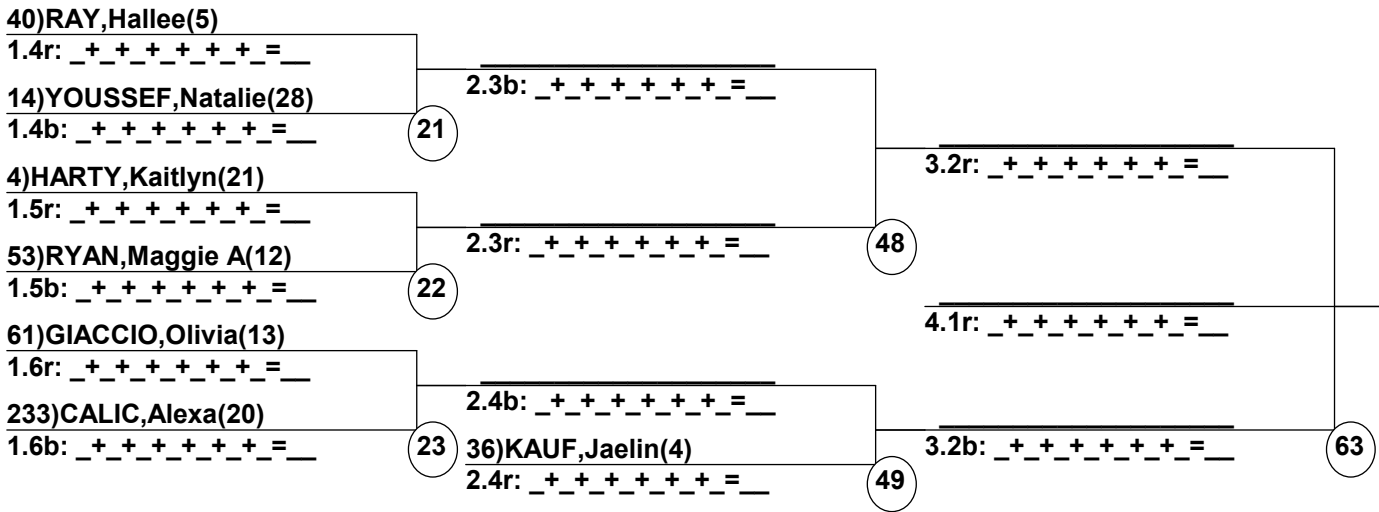
Male Road to Semi-Finals (5.2R)



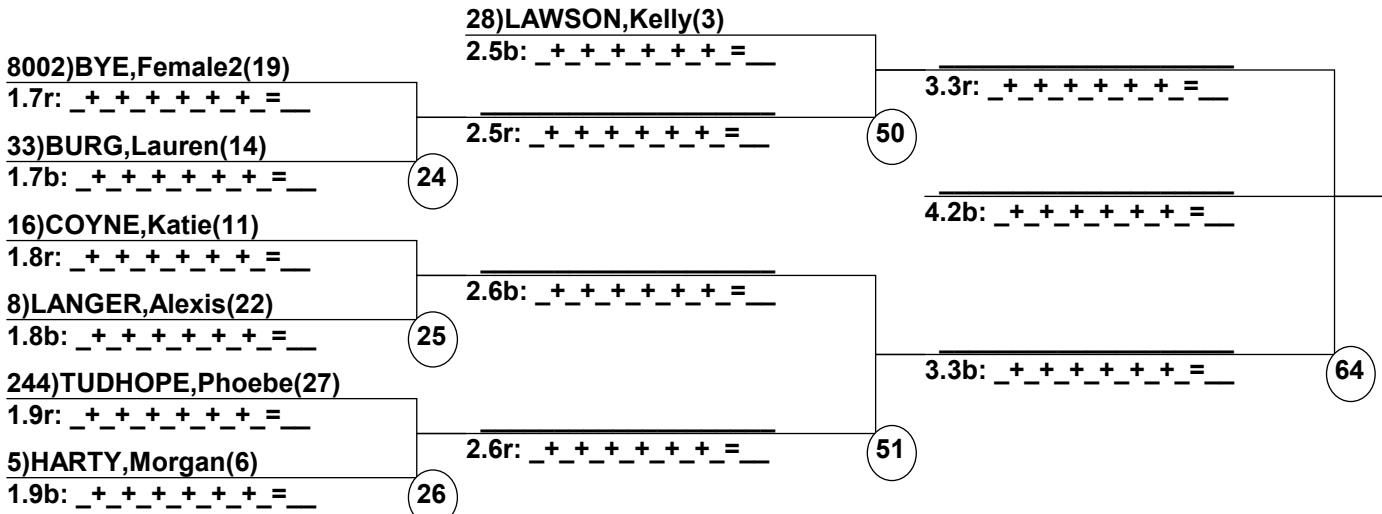
Female Road to Semi-Finals (4.1B)



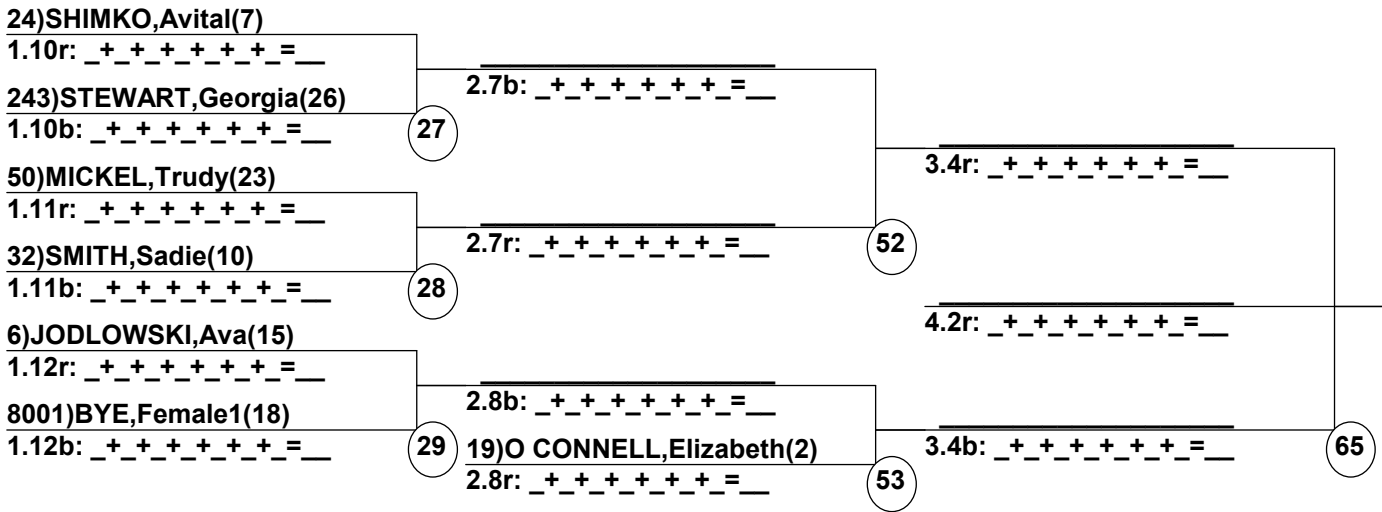
Female Road to Semi-Finals (4.1R)



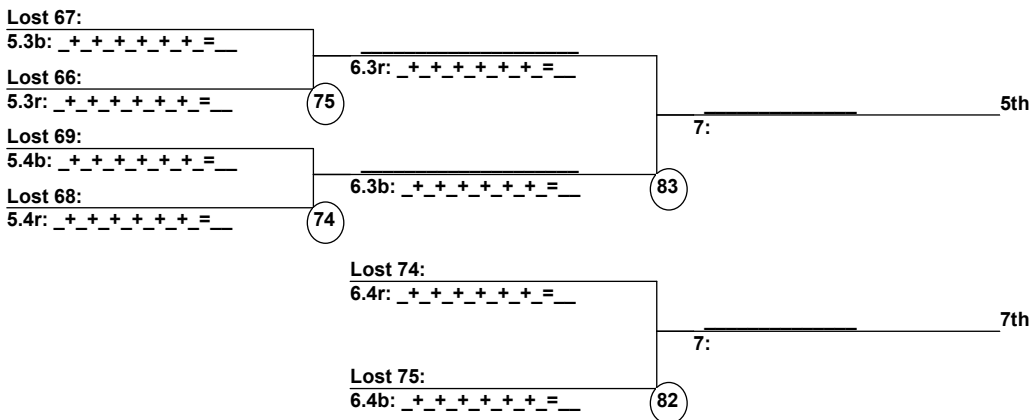
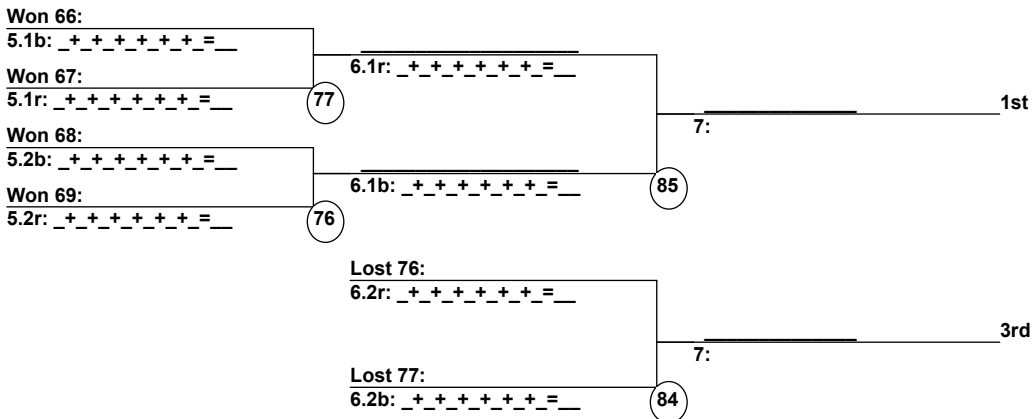
Female Road to Semi-Finals (4.2B)



Female Road to Semi-Finals (4.2R)



MaleSemi-Finals



FemaleSemi-Finals

