



# Rocky Divisional Mogul Championships

Telluride

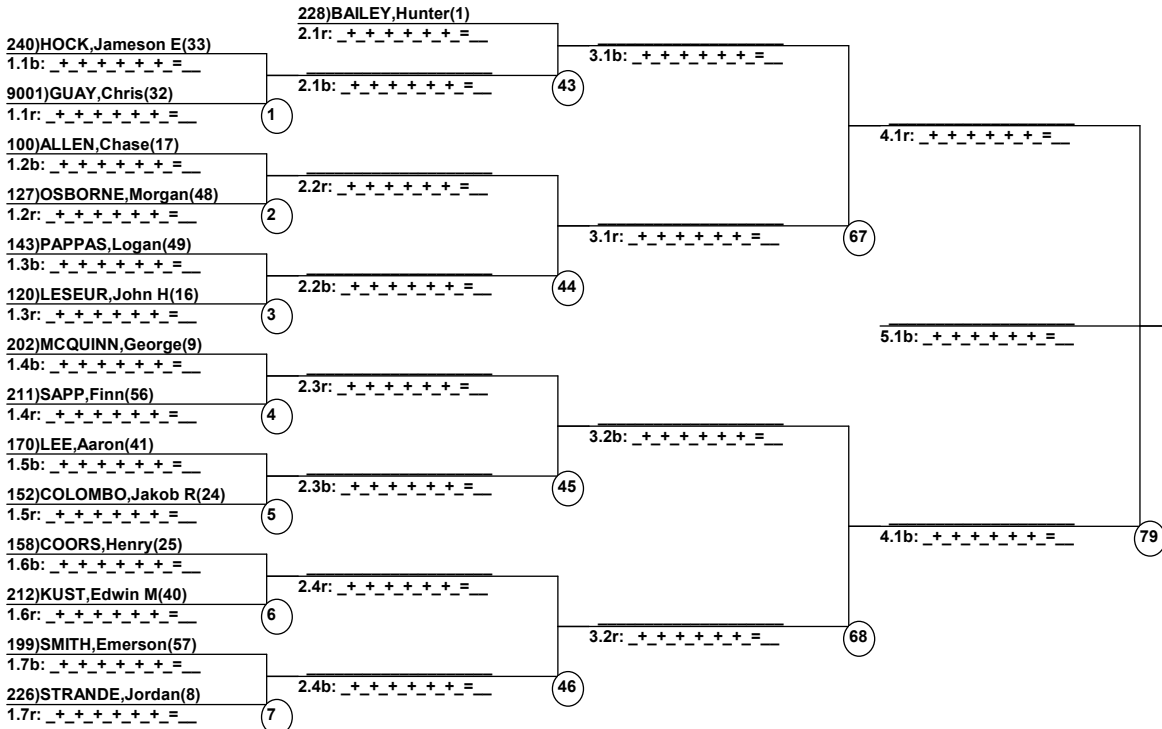
Mar 8, 2015 (Sun) (U0896) (U0895)

Course: Hermit

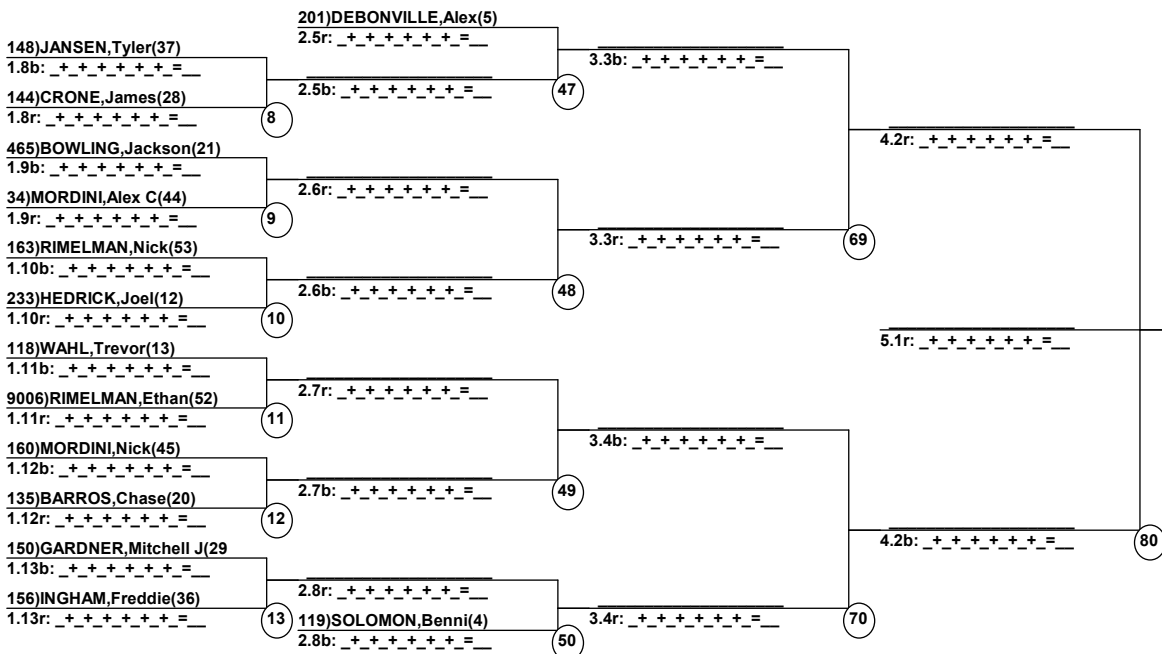
\_\_\_\_\_  
 \_\_\_\_\_ Head Judge  
 \_\_\_\_\_ Chief of Scoring  
 \_\_\_\_\_ T.D.

-----  
 Duals Run 1                      Entrants                      Date: Mar 7, 2015 (Sat)  
 Female/Male                      (By Duals Run-order)                      Time: 5:58 pm  
 Telluride                      Rocky Divisional Mog  
 -----

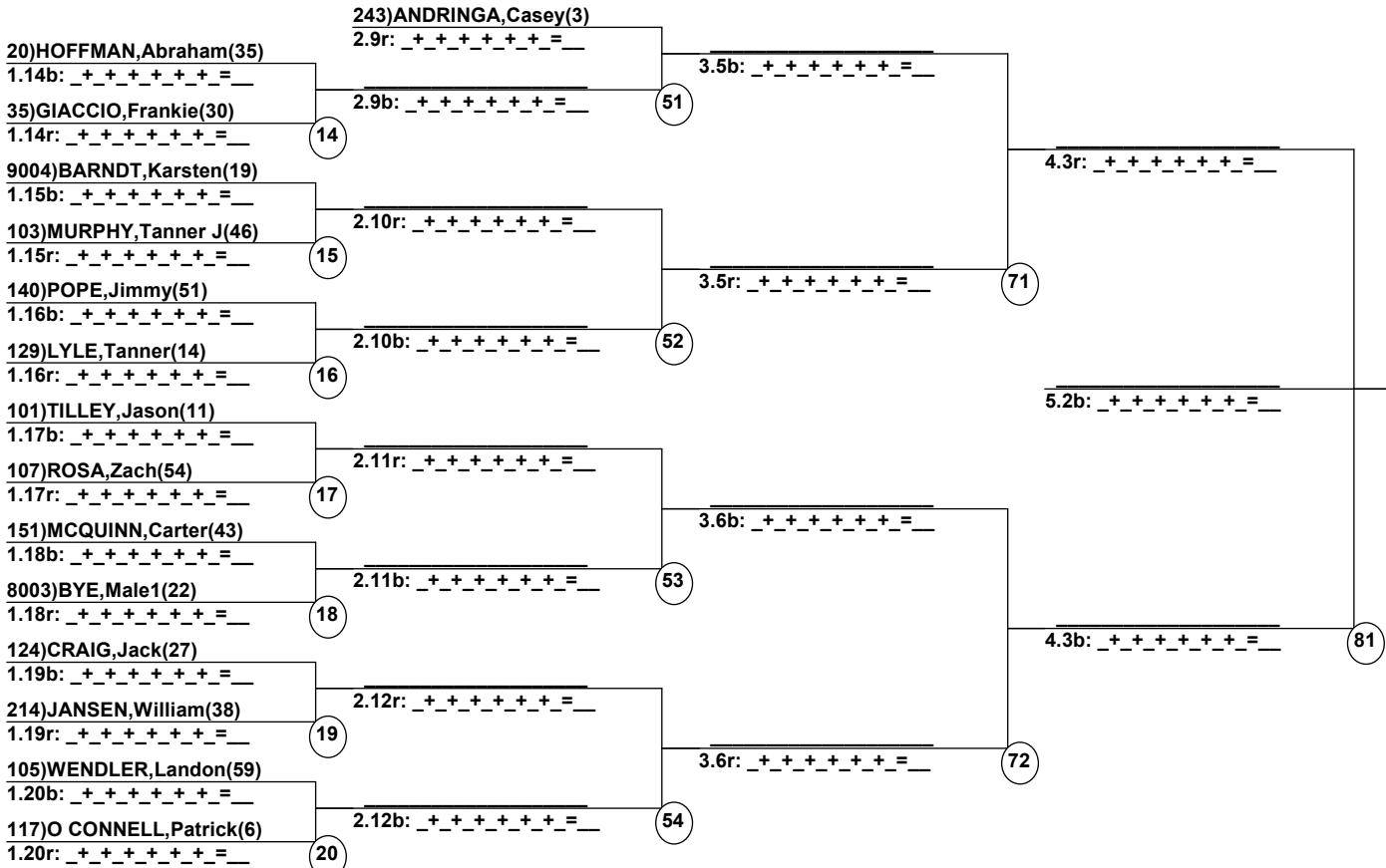
### Male Road to Semi-Finals (5.1B)



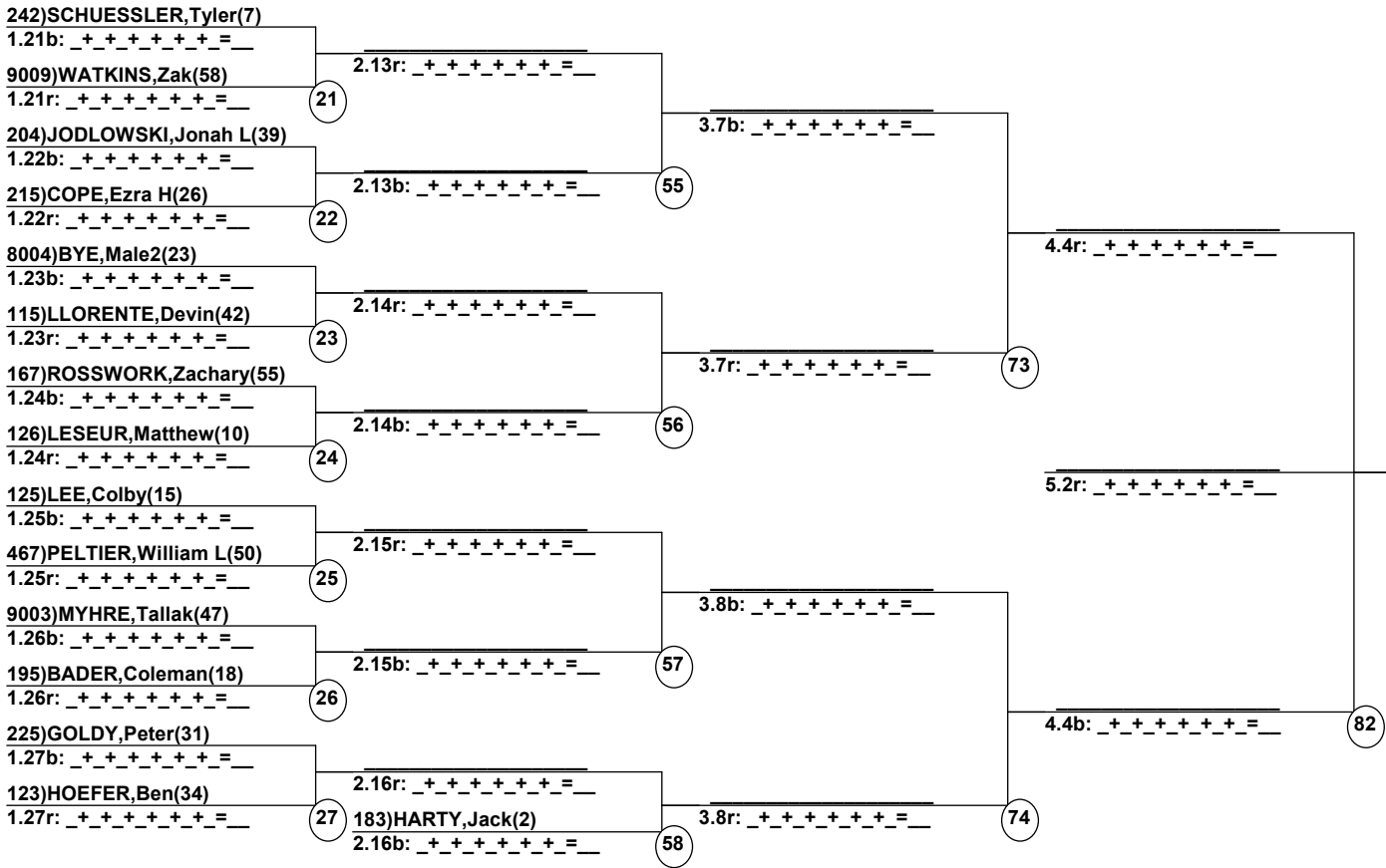
### Male Road to Semi-Finals (5.1R)



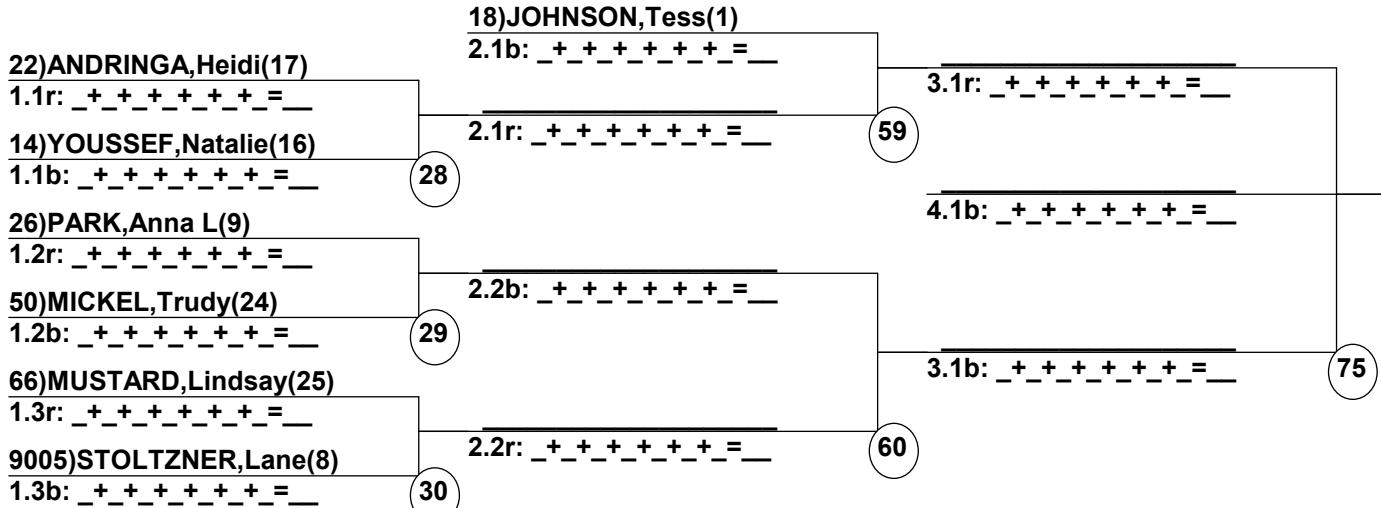
Male Road to Semi-Finals (5.2B)



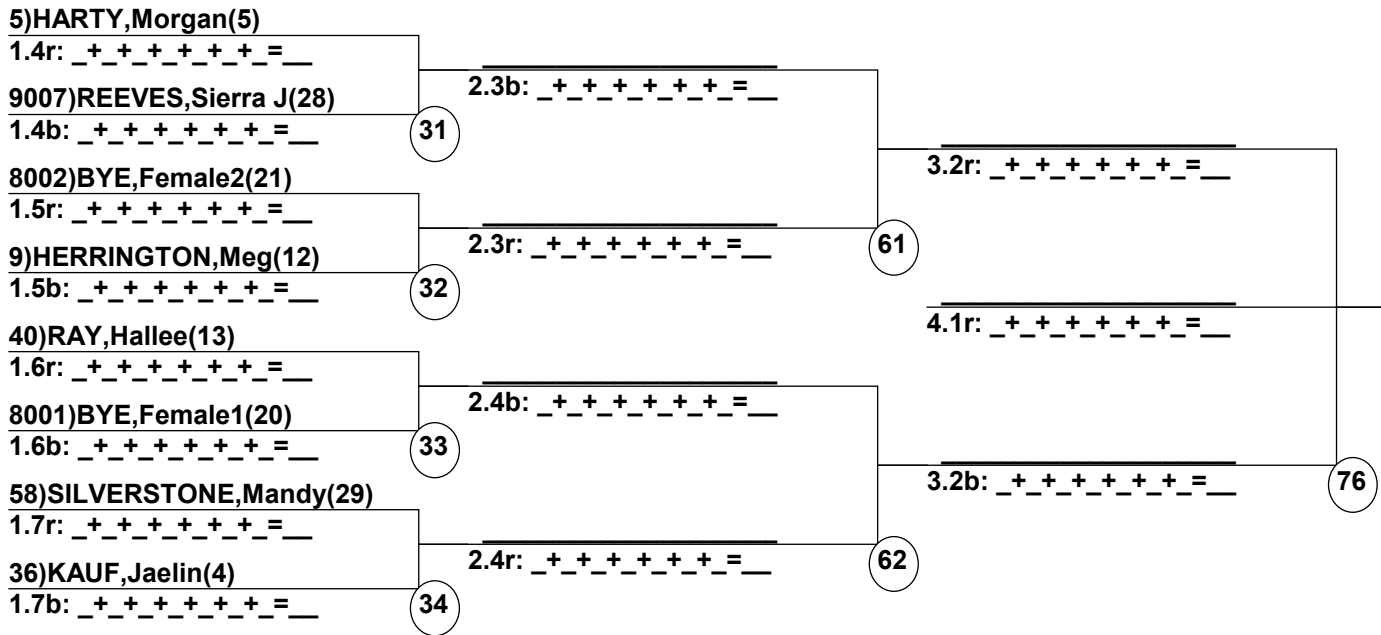
Male Road to Semi-Finals (5.2R)



Female Road to Semi-Finals (4.1B)



Female Road to Semi-Finals (4.1R)



Female Road to Semi-Finals (4.2B)

28)LAWSON,Kelly(3)

1.8r: \_+\_+\_+\_+\_+\_=\_

32)SMITH,Sadie(30)

1.8b: \_+\_+\_+\_+\_+\_=\_

95)BURG,Lauren(19)

1.9r: \_+\_+\_+\_+\_+\_=\_

16)COYNE,Katie(14)

1.9b: \_+\_+\_+\_+\_+\_=\_

6)JODLOWSKI,Ava(11)

1.10r: \_+\_+\_+\_+\_+\_=\_

23)DARRAH,Kenlyn(22)

1.10b: \_+\_+\_+\_+\_+\_=\_

9000)RADWAY,Kenzie(27)

1.11r: \_+\_+\_+\_+\_+\_=\_

1)ECKHOFF,Lindsey(6)

1.11b: \_+\_+\_+\_+\_+\_=\_

2.5b: \_+\_+\_+\_+\_+\_=\_

35

2.5r: \_+\_+\_+\_+\_+\_=\_

36

2.6b: \_+\_+\_+\_+\_+\_=\_

37

2.6r: \_+\_+\_+\_+\_+\_=\_

38

3.3r: \_+\_+\_+\_+\_+\_=\_

63

4.2b: \_+\_+\_+\_+\_+\_=\_

3.3b: \_+\_+\_+\_+\_+\_=\_

77

Female Road to Semi-Finals (4.2R)

19)O CONNELL,Elizabeth(7)

1.12r: \_+\_+\_+\_+\_+\_=\_

86)NUNN,Skylar(26)

1.12b: \_+\_+\_+\_+\_+\_=\_

4)HARTY,Kaitlyn(23)

1.13r: \_+\_+\_+\_+\_+\_=\_

61)GIACCIO,Olivia(10)

1.13b: \_+\_+\_+\_+\_+\_=\_

2)HARDY,Antonia N(15)

1.14r: \_+\_+\_+\_+\_+\_=\_

38)ARDEHALI,Arianna(18)

1.14b: \_+\_+\_+\_+\_+\_=\_

31)WARE,Tori(31)

1.15r: \_+\_+\_+\_+\_+\_=\_

24)SHIMKO,Avital(2)

1.15b: \_+\_+\_+\_+\_+\_=\_

2.7b: \_+\_+\_+\_+\_+\_=\_

39

2.7r: \_+\_+\_+\_+\_+\_=\_

40

2.8b: \_+\_+\_+\_+\_+\_=\_

41

2.8r: \_+\_+\_+\_+\_+\_=\_

42

3.4r: \_+\_+\_+\_+\_+\_=\_

65

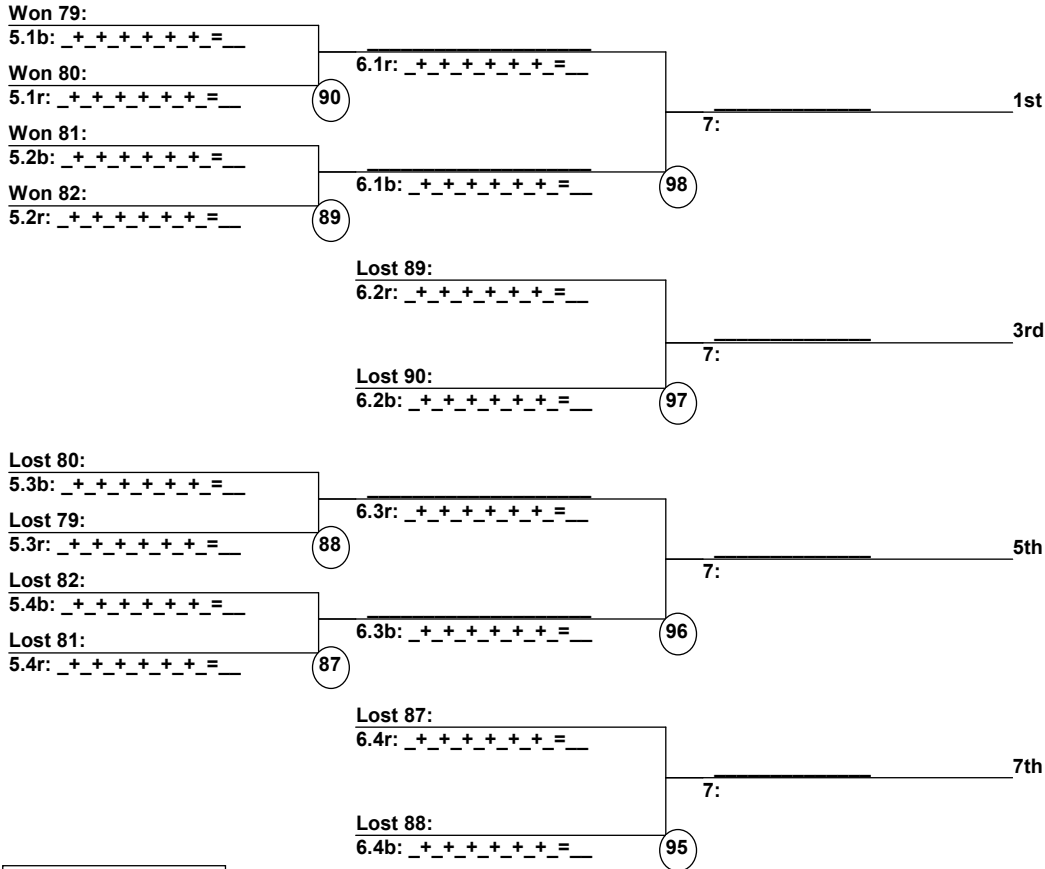
4.2r: \_+\_+\_+\_+\_+\_=\_

3.4b: \_+\_+\_+\_+\_+\_=\_

78

66

MaleSemi-Finals



FemaleSemi-Finals

