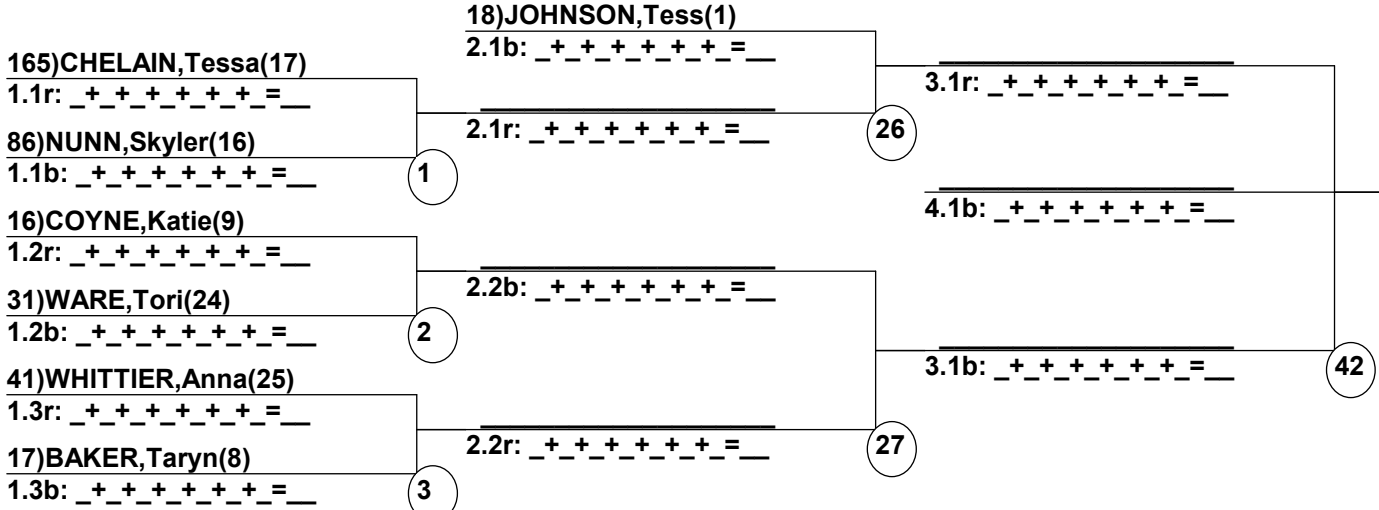
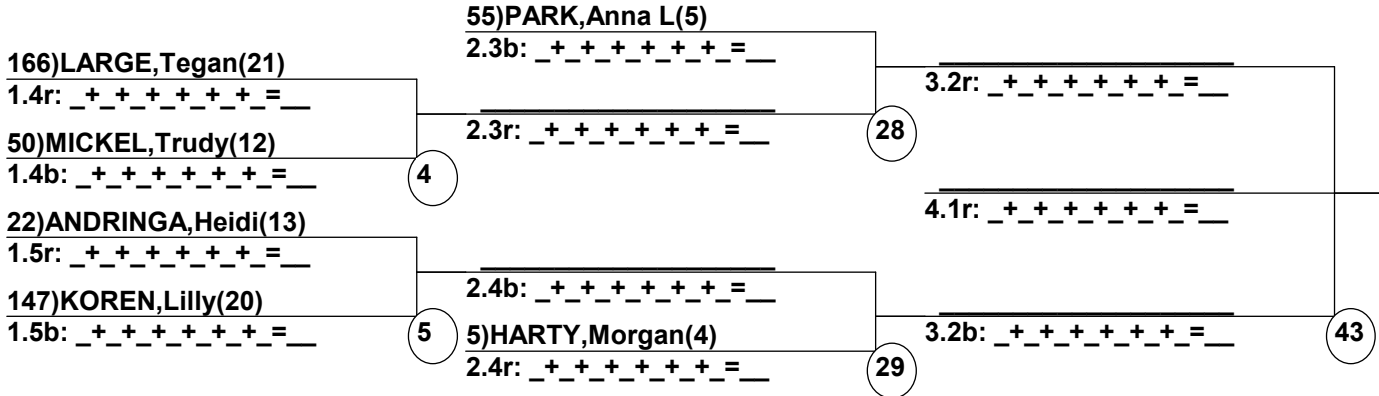


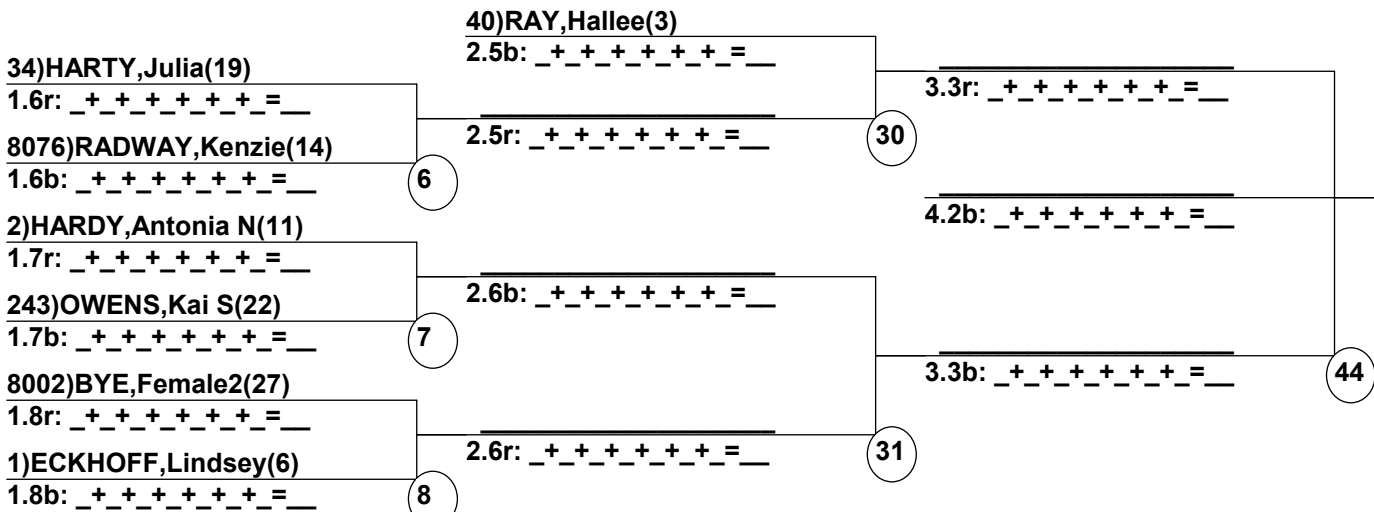
Female Road to Semi-Finals (4.1B)



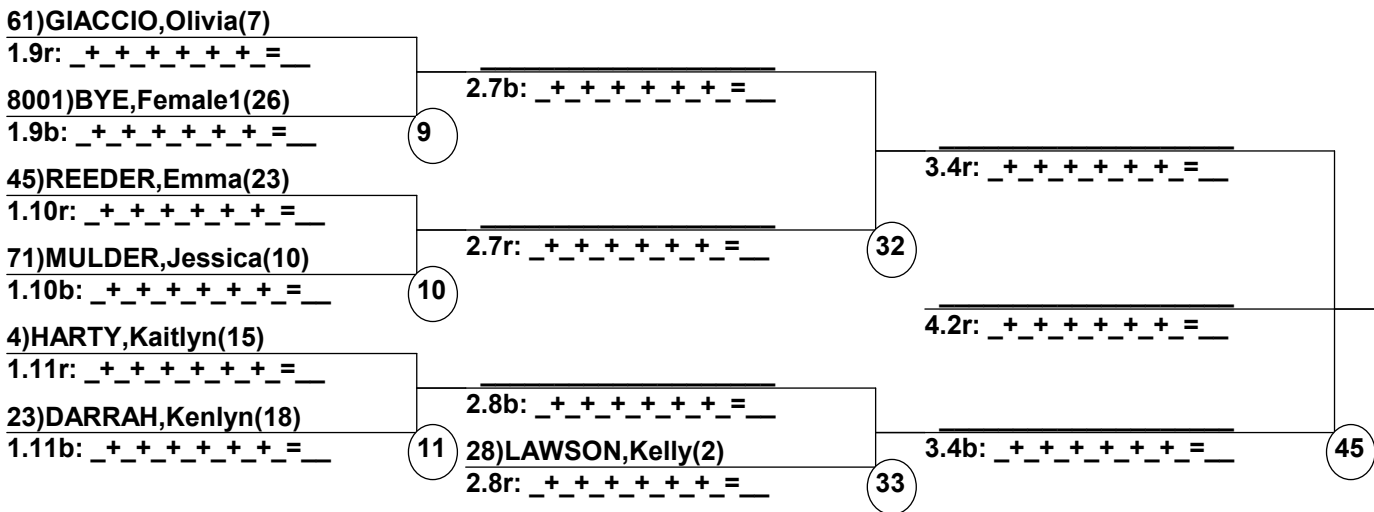
Female Road to Semi-Finals (4.1R)



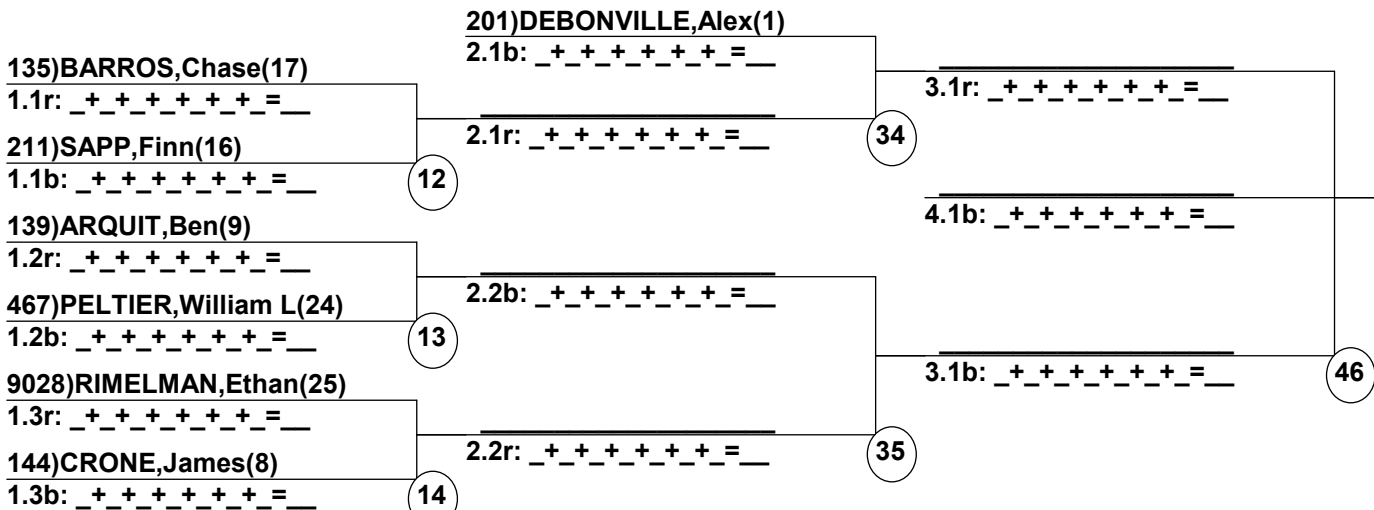
Female Road to Semi-Finals (4.2B)



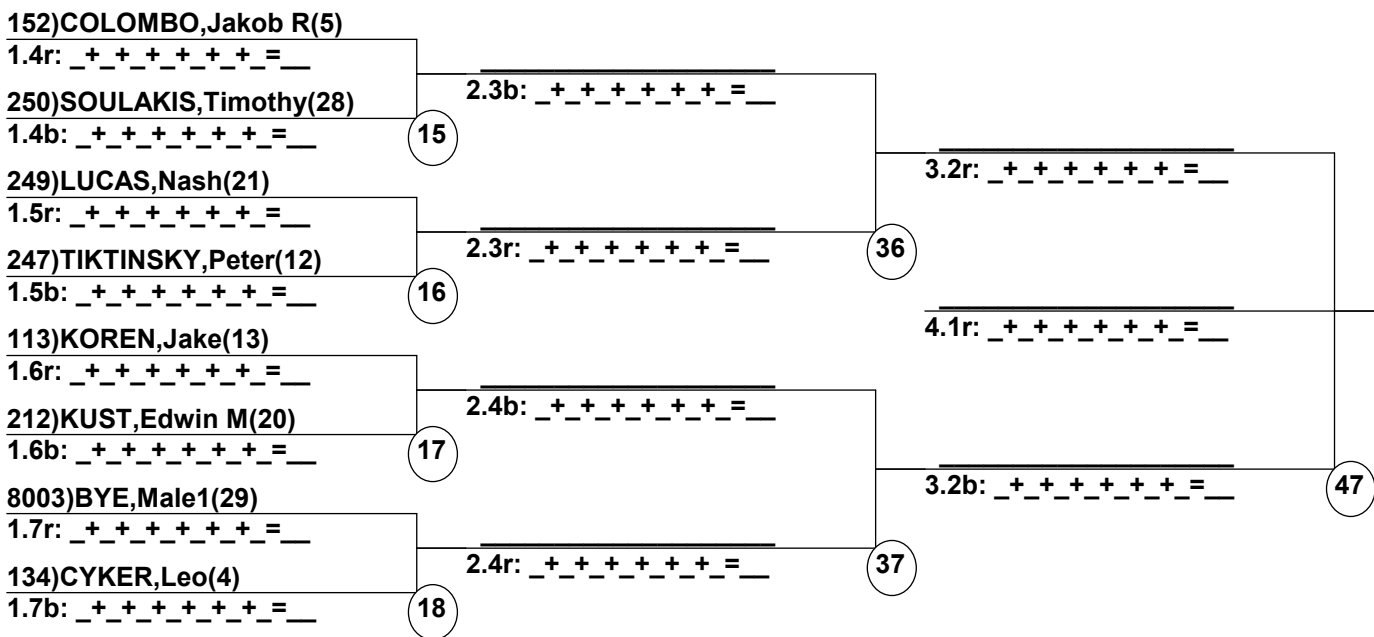
Female Road to Semi-Finals (4.2R)



Male Road to Semi-Finals (4.1B)



Male Road to Semi-Finals (4.1R)



Male Road to Semi-Finals (4.2B)

246)TILLEY,Jason N(3)

1.8r: _+_+_+_+_+_+_=_

8004)BYE,Male2(30)

1.8b: _+_+_+_+_+_+_=_

224)KOSINSKI,Henry A(19)

1.9r: _+_+_+_+_+_+_=_

103)MURPHY,Tanner J(14)

1.9b: _+_+_+_+_+_+_=_

35)GIACCIO,Frankie(11)

1.10r: _+_+_+_+_+_+_=_

235)MICKEL,Charlie(22)

1.10b: _+_+_+_+_+_+_=_

233)SERELS,Spencer(27)

1.11r: _+_+_+_+_+_+_=_

138)SCHUNK,Harrison(6)

1.11b: _+_+_+_+_+_+_=_

2.5b: _+_+_+_+_+_+_=_

19

2.5r: _+_+_+_+_+_+_=_

20

2.6b: _+_+_+_+_+_+_=_

21

2.6r: _+_+_+_+_+_+_=_

22

3.3r: _+_+_+_+_+_+_=_

38

4.2b: _+_+_+_+_+_+_=_

3.3b: _+_+_+_+_+_+_=_

48

39

Male Road to Semi-Finals (4.2R)

163)RIMELMAN,Nick(7)

1.12r: _+_+_+_+_+_+_=_

67)ROBERTS,Tanner(26)

1.12b: _+_+_+_+_+_+_=_

434)PAPPAS,Logan(23)

1.13r: _+_+_+_+_+_+_=_

215)COPE,Ezra H(10)

1.13b: _+_+_+_+_+_+_=_

100)ALLEN,Chase(15)

1.14r: _+_+_+_+_+_+_=_

232)DARRAH,Kane(18)

1.14b: _+_+_+_+_+_+_=_

2.7b: _+_+_+_+_+_+_=_

23

2.7r: _+_+_+_+_+_+_=_

24

2.8b: _+_+_+_+_+_+_=_

25

2.8r: _+_+_+_+_+_+_=_

40

3.4r: _+_+_+_+_+_+_=_

4.2r: _+_+_+_+_+_+_=_

118)WAHL,Trevor(2)

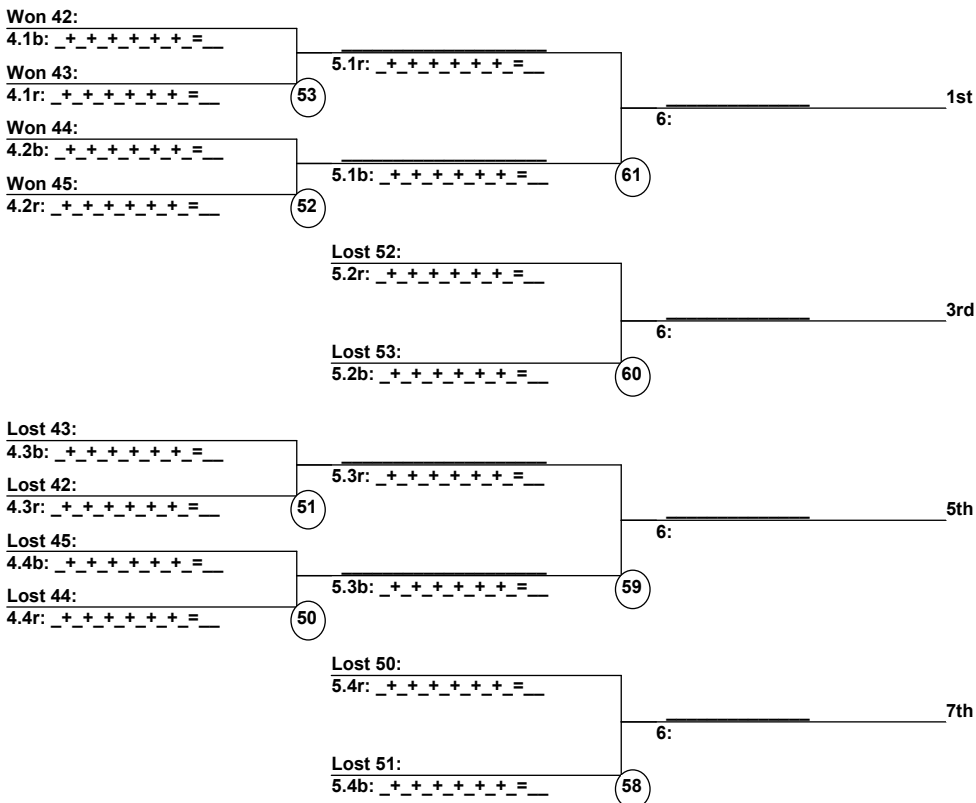
2.8r: _+_+_+_+_+_+_=_

41

3.4b: _+_+_+_+_+_+_=_

49

FemaleSemi-Finals



MaleSemi-Finals

