



Spring Cool Down

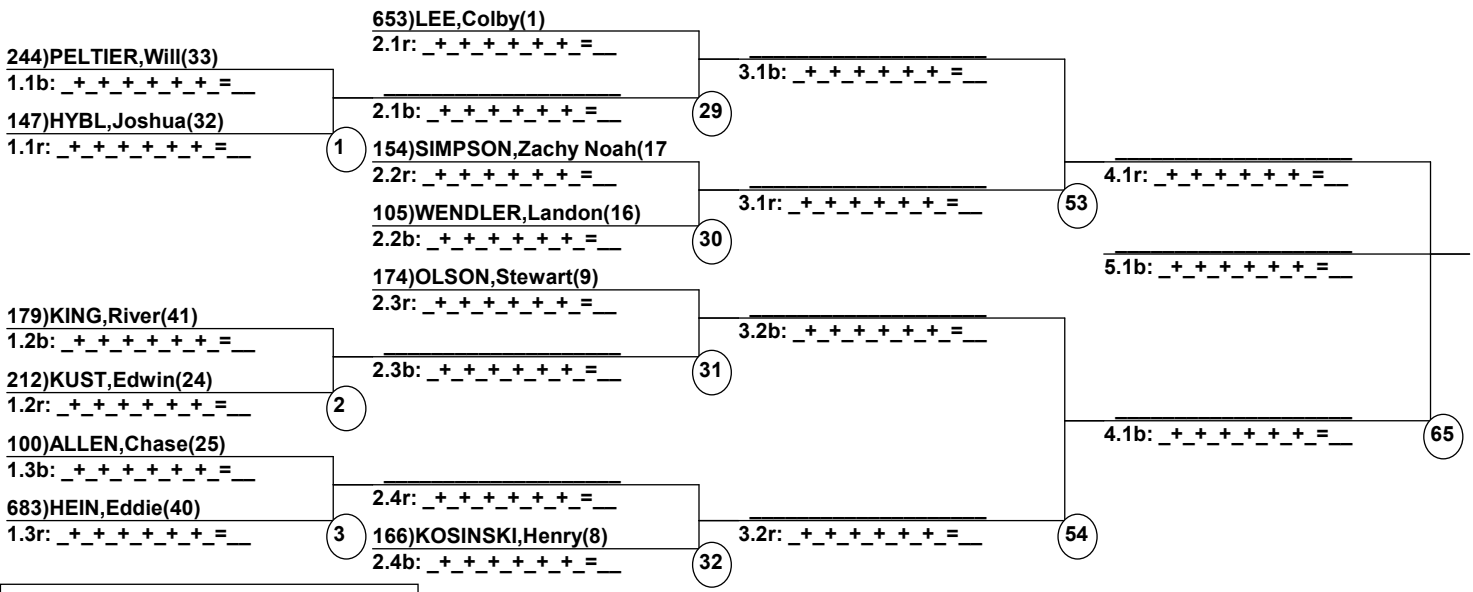
Copper Mountain
Apr 10, 2016 (Sun) (U1129) (U1128)

Head Judge: LANA, Wendy
Chief of Comp: NUNN, Randall
T.D.: ELLIS, Christopher
Chief of Scoring: TILLEY, Diana

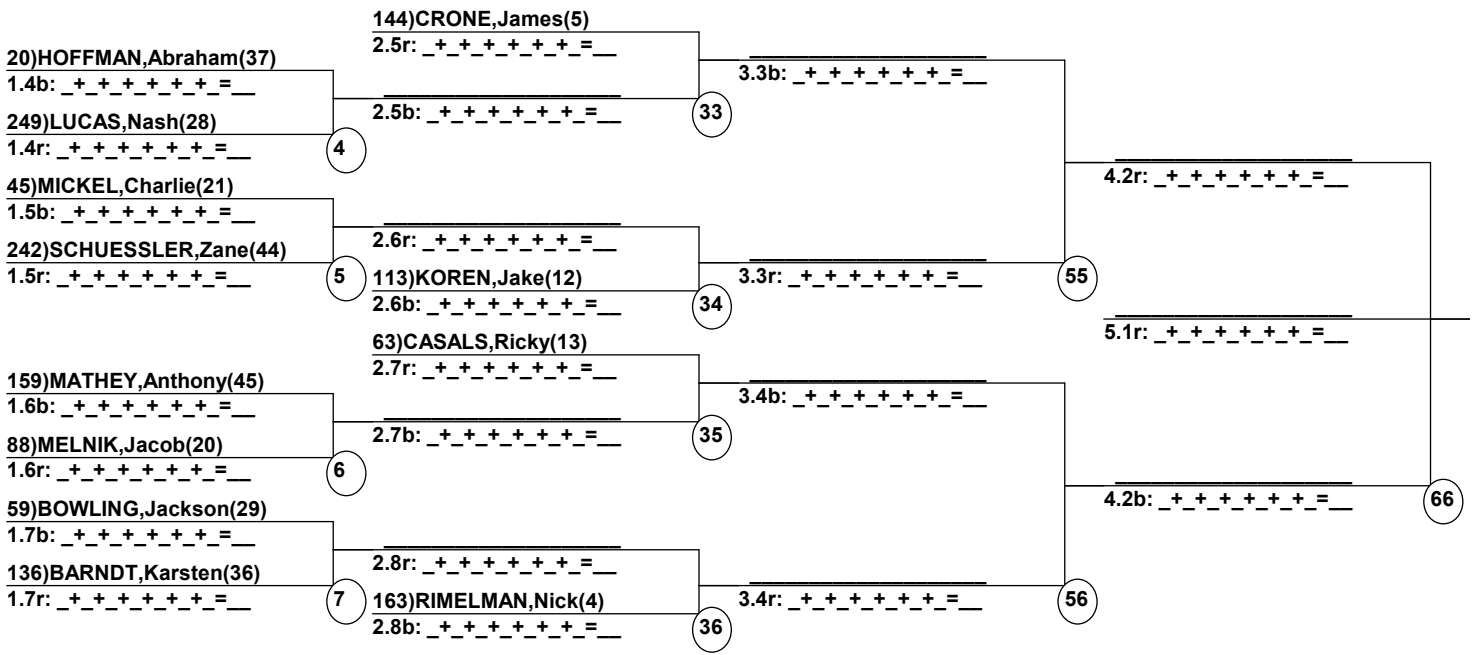
____ Head Judge
____ Chief of Scoring
____ T.D.

Duals Run 1 Entrants Date: Apr 9, 2016 (Sat)
Female/Male (By Duals Run-order) Time: 5:31 pm
Copper Mountain Spring Cool Down

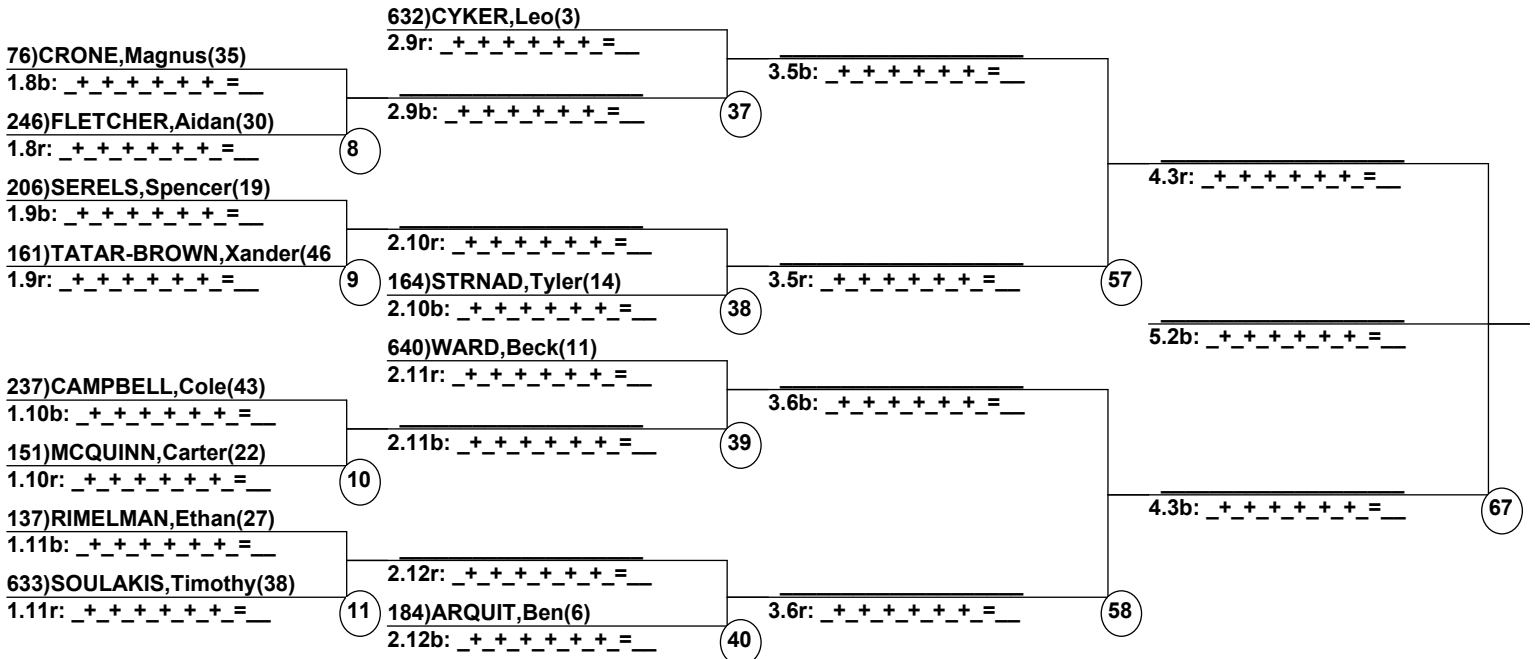
Male Road to Semi-Finals (5.1B)



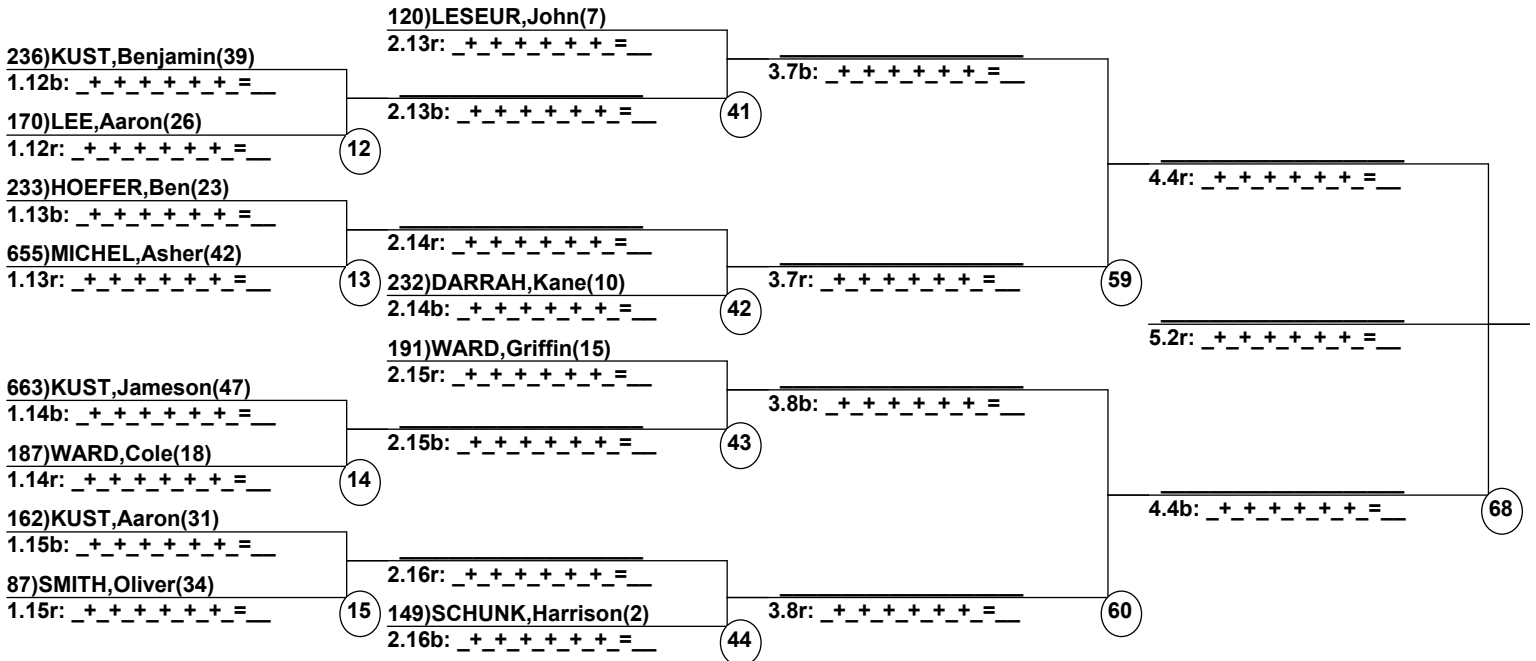
Male Road to Semi-Finals (5.1R)



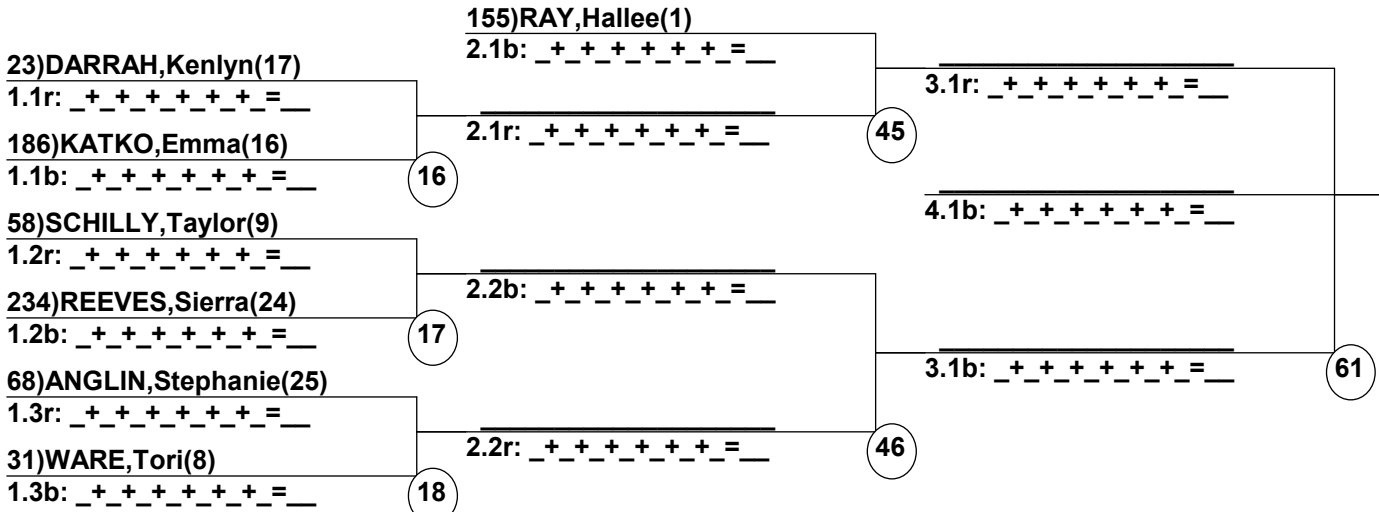
Male Road to Semi-Finals (5.2B)



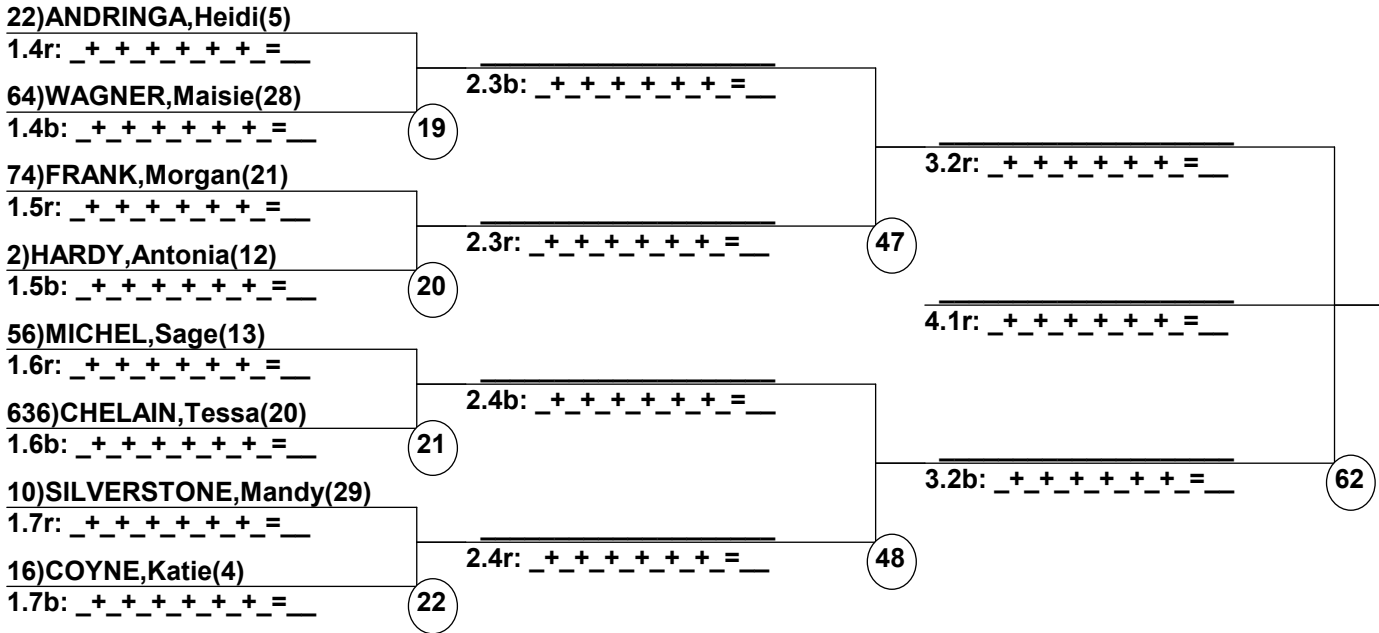
Male Road to Semi-Finals (5.2R)



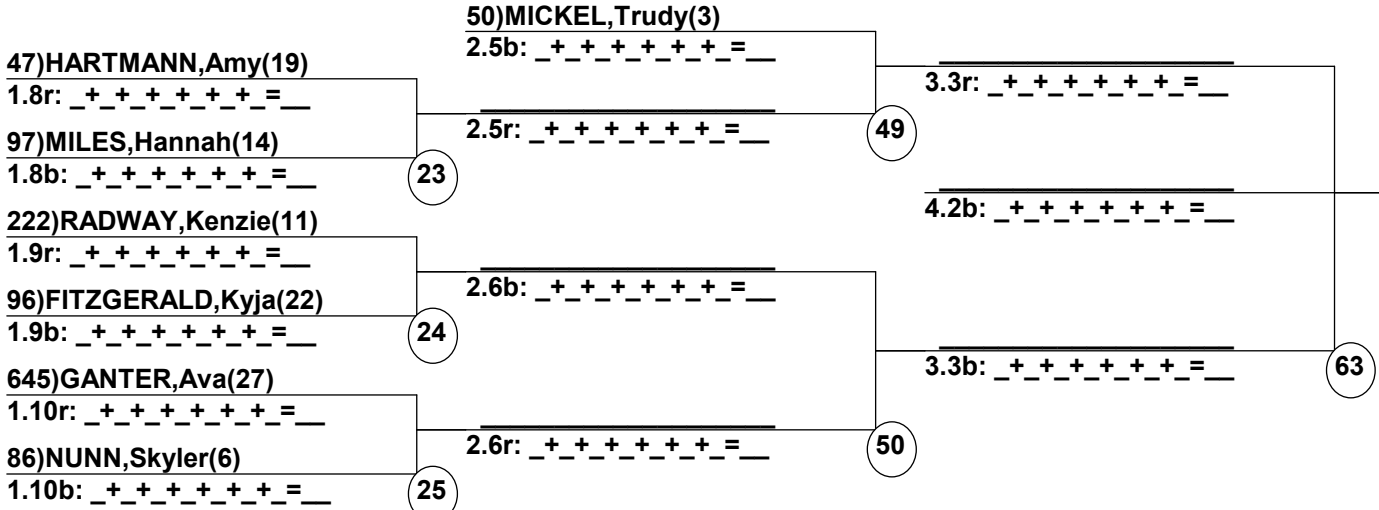
Female Road to Semi-Finals (4.1B)



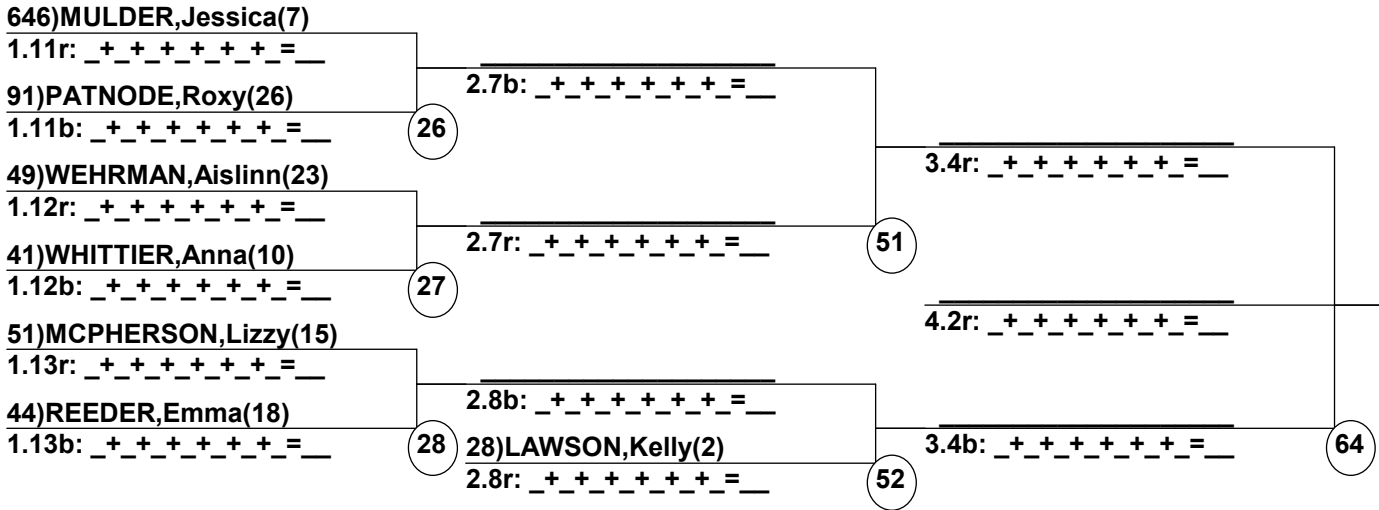
Female Road to Semi-Finals (4.1R)



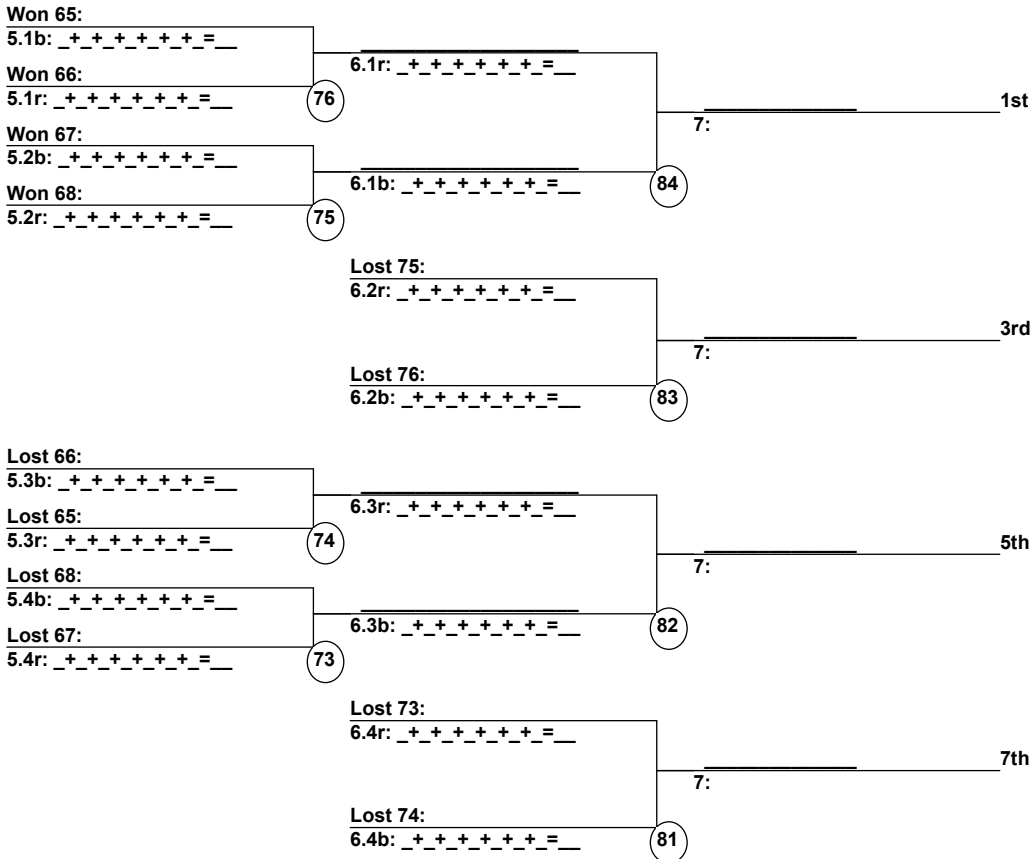
Female Road to Semi-Finals (4.2B)



Female Road to Semi-Finals (4.2R)



MaleSemi-Finals



FemaleSemi-Finals

