



Vail Valley Freestyle

Vail

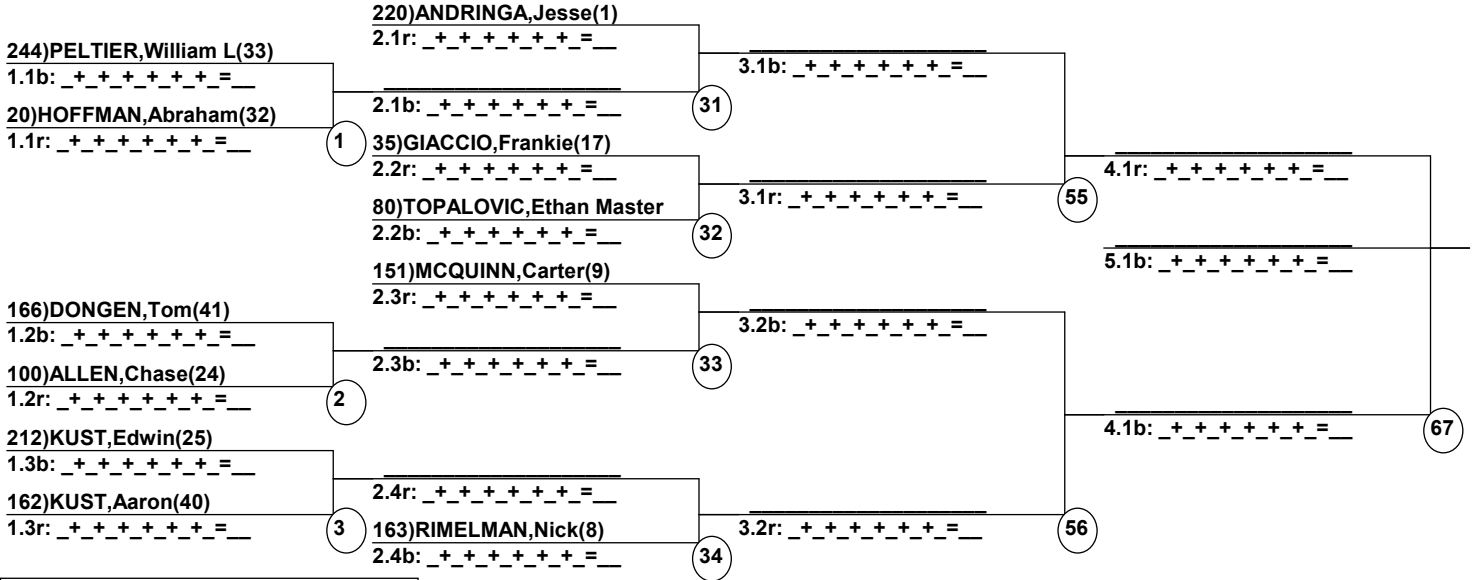
Jan 24, 2016 (Sun) (U0608) (U0607)

Head Judge: HENDRY,James A
Chief of Comp: ANDRINGA,Conrad J
T.D.: ELLIS,Christopher P
Chief of Scoring: LESEUR,Adam

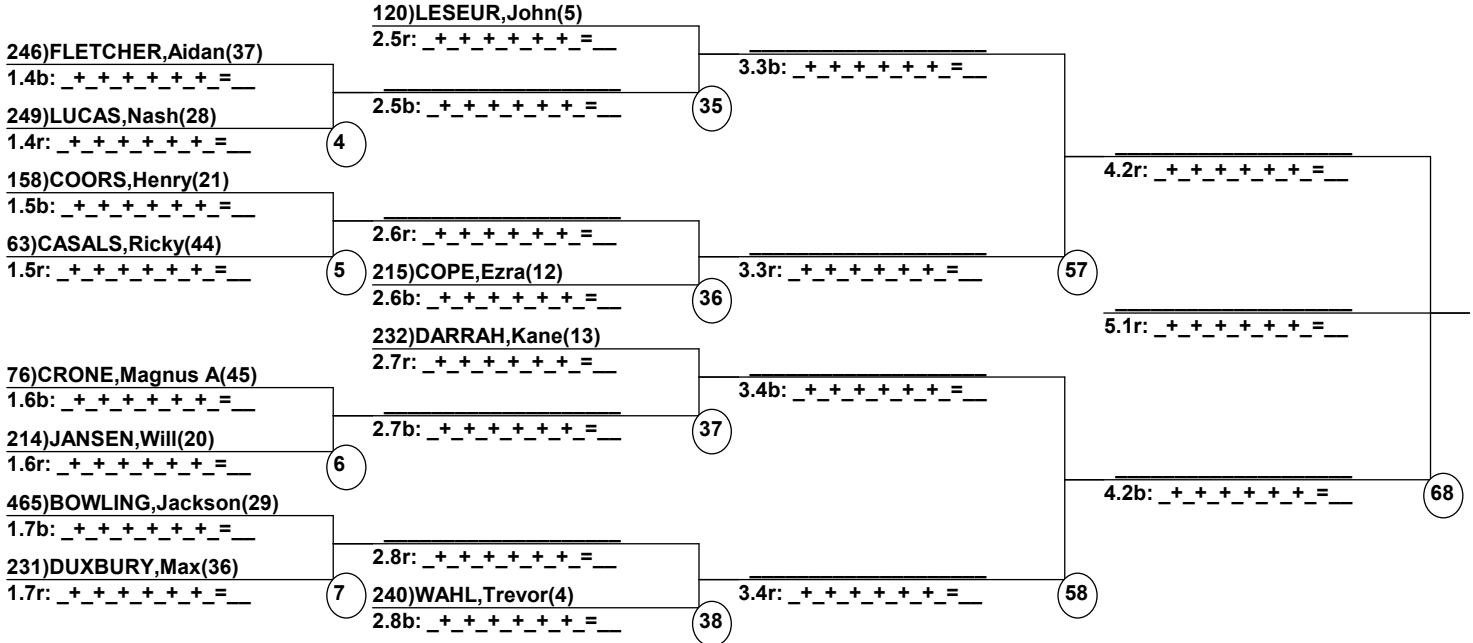
Course: Cook Shack
____ Head Judge
____ Chief of Scoring
____ T.D.

Duals Run 1 Entrants Date: Jan 23, 2016 (Sat)
Female/Male (By Duals Run-order) Time: 6:01 pm
Vail Vail Valley Freestyl

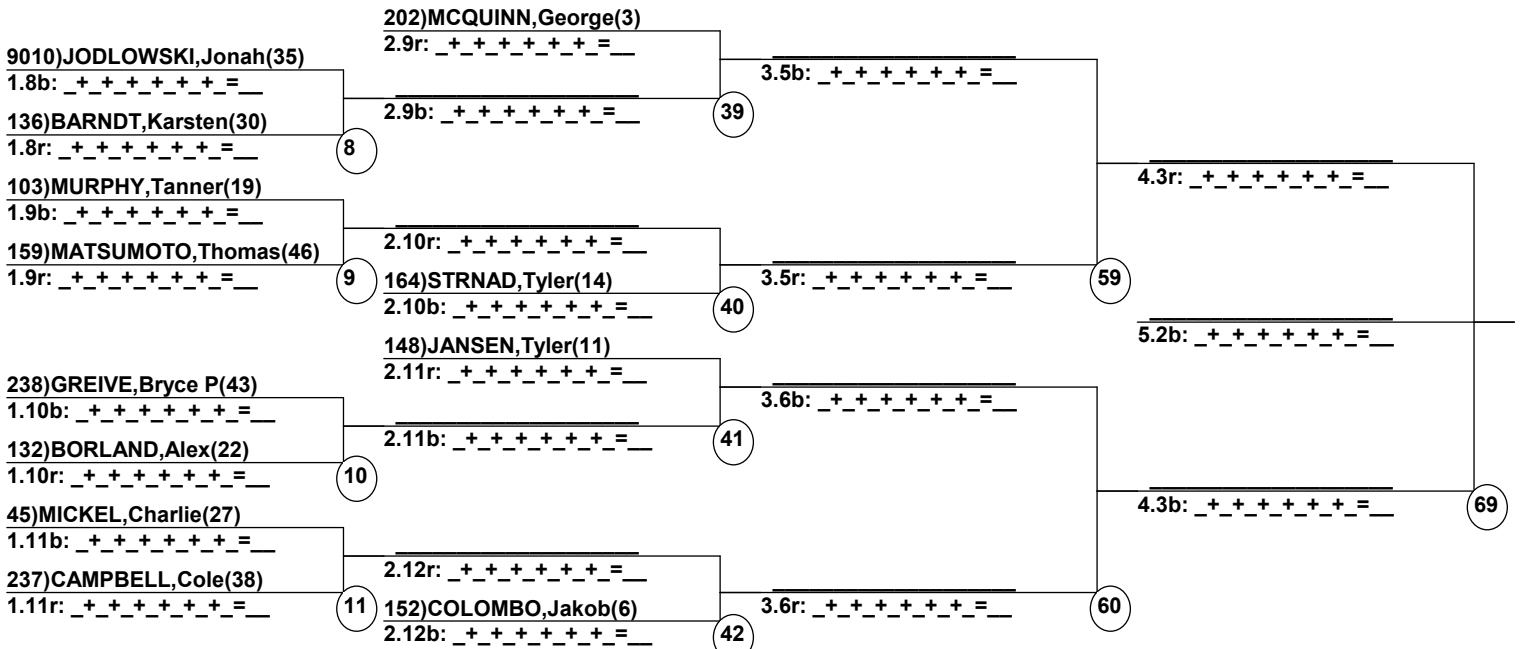
Male Road to Semi-Finals (5.1B)



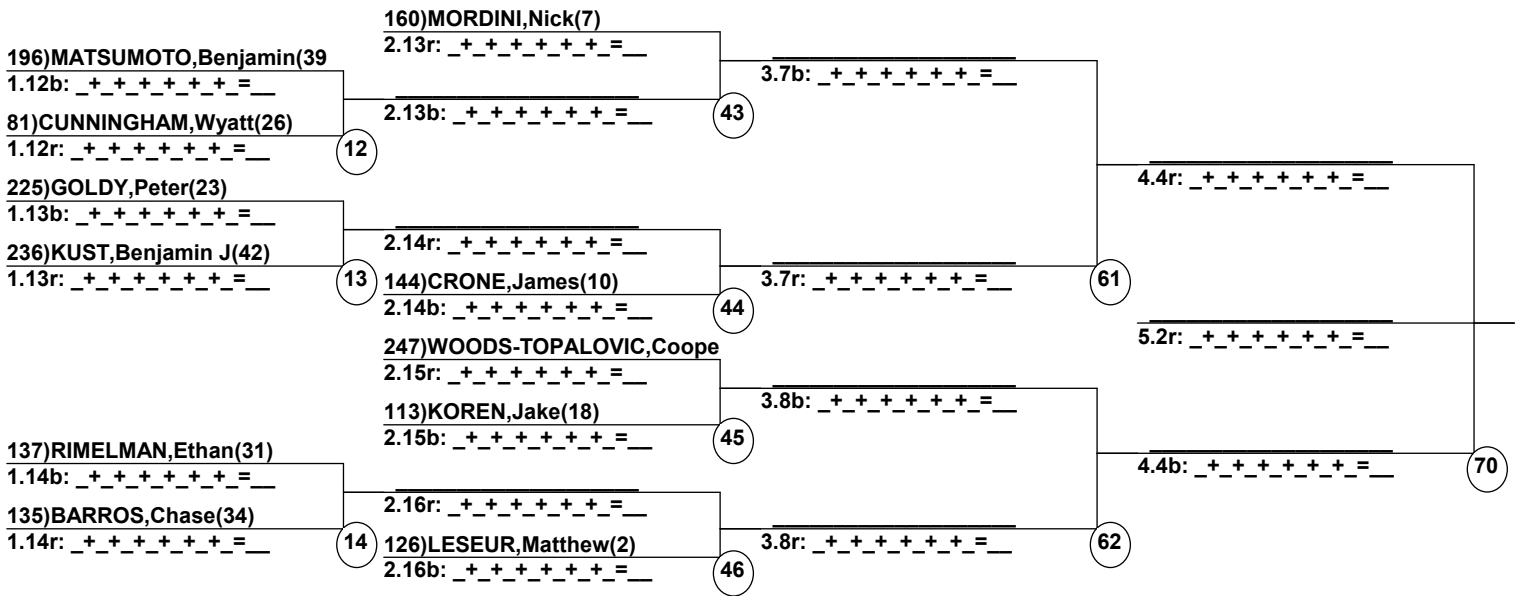
Male Road to Semi-Finals (5.1R)



Male Road to Semi-Finals (5.2B)



Male Road to Semi-Finals (5.2R)



Female Road to Semi-Finals (4.1B)

9099)HARRELL,Kaitlyn(1)

1.1r: _+_+_+_+_+_=_

96)FITZGERALD,Kyja M(32)

1.1b: _+_+_+_+_+_=_

23)DARRAH,Kenlyn(17)

1.2r: _+_+_+_+_+_=_

31)WARE,Tori(16)

1.2b: _+_+_+_+_+_=_

50)MICKEL,Trudy(9)

1.3r: _+_+_+_+_+_=_

44)REEDER,Emma(24)

1.3b: _+_+_+_+_+_=_

97)MILES,Hannah(25)

1.4r: _+_+_+_+_+_=_

16)COYNE,Katie(8)

1.4b: _+_+_+_+_+_=_

2.1b: _+_+_+_+_+_=_

2.1r: _+_+_+_+_+_=_

2.2b: _+_+_+_+_+_=_

2.2r: _+_+_+_+_+_=_

3.1r: _+_+_+_+_+_=_

4.1b: _+_+_+_+_+_=_

3.1b: _+_+_+_+_+_=_

15

16

17

18

47

48

63

Female Road to Semi-Finals (4.1R)

6)JODLOWSKI,Ava(5)

1.5r: _+_+_+_+_+_=_

49)WEHRMAN,Aislinn(28)

1.5b: _+_+_+_+_+_=_

147)STEWART,Georgia(21)

1.6r: _+_+_+_+_+_=_

2)HARDY,Antonia N(12)

1.6b: _+_+_+_+_+_=_

179)YIN,Krystle(13)

1.7r: _+_+_+_+_+_=_

32)NIX,Juliana(20)

1.7b: _+_+_+_+_+_=_

193)FAWCETT,Saskia L(29)

1.8r: _+_+_+_+_+_=_

58)BAKER,Taryn(4)

1.8b: _+_+_+_+_+_=_

2.3b: _+_+_+_+_+_=_

2.3r: _+_+_+_+_+_=_

2.4b: _+_+_+_+_+_=_

2.4r: _+_+_+_+_+_=_

3.2r: _+_+_+_+_+_=_

4.1r: _+_+_+_+_+_=_

3.2b: _+_+_+_+_+_=_

19

20

21

22

49

50

64

Female Road to Semi-Finals (4.2B)

1)ECKHOFF,Lindsey(3)

1.9r: _+_+_+_+_+_+_=_

72)BORLAND,Nicole O(30)

1.9b: _+_+_+_+_+_+_=_

51)MCPHERSON,Lizzy(19)

1.10r: _+_+_+_+_+_+_=_

22)ANDRINGA,Heidi(14)

1.10b: _+_+_+_+_+_+_=_

4)HARTY,Kaitlyn(11)

1.11r: _+_+_+_+_+_+_=_

75)OWENS,Kai S(22)

1.11b: _+_+_+_+_+_+_=_

67)WAHL,Gabrielle(27)

1.12r: _+_+_+_+_+_+_=_

198)DETELS,Megan(6)

1.12b: _+_+_+_+_+_+_=_

2.5b: _+_+_+_+_+_+_=_

2.5r: _+_+_+_+_+_+_=_

2.6b: _+_+_+_+_+_+_=_

2.6r: _+_+_+_+_+_+_=_

3.3r: _+_+_+_+_+_+_=_

4.2b: _+_+_+_+_+_+_=_

3.3b: _+_+_+_+_+_+_=_

23

51

24

25

52

65

Female Road to Semi-Finals (4.2R)

9)HERRINGTON,Meg(7)

1.13r: _+_+_+_+_+_+_=_

46)LEE,Cammy(26)

1.13b: _+_+_+_+_+_+_=_

55)LARGE,Tegan(23)

1.14r: _+_+_+_+_+_+_=_

222)RADWAY,Kenzie(10)

1.14b: _+_+_+_+_+_+_=_

41)WHITTIER,Anna(15)

1.15r: _+_+_+_+_+_+_=_

38)ARDEHALI,Arianna(18)

1.15b: _+_+_+_+_+_+_=_

92)EVERINGHAM,Maddison(31)

1.16r: _+_+_+_+_+_+_=_

5)HARTY,Morgan(2)

1.16b: _+_+_+_+_+_+_=_

2.7b: _+_+_+_+_+_+_=_

2.7r: _+_+_+_+_+_+_=_

2.8b: _+_+_+_+_+_+_=_

2.8r: _+_+_+_+_+_+_=_

3.4r: _+_+_+_+_+_+_=_

4.2r: _+_+_+_+_+_+_=_

3.4b: _+_+_+_+_+_+_=_

27

53

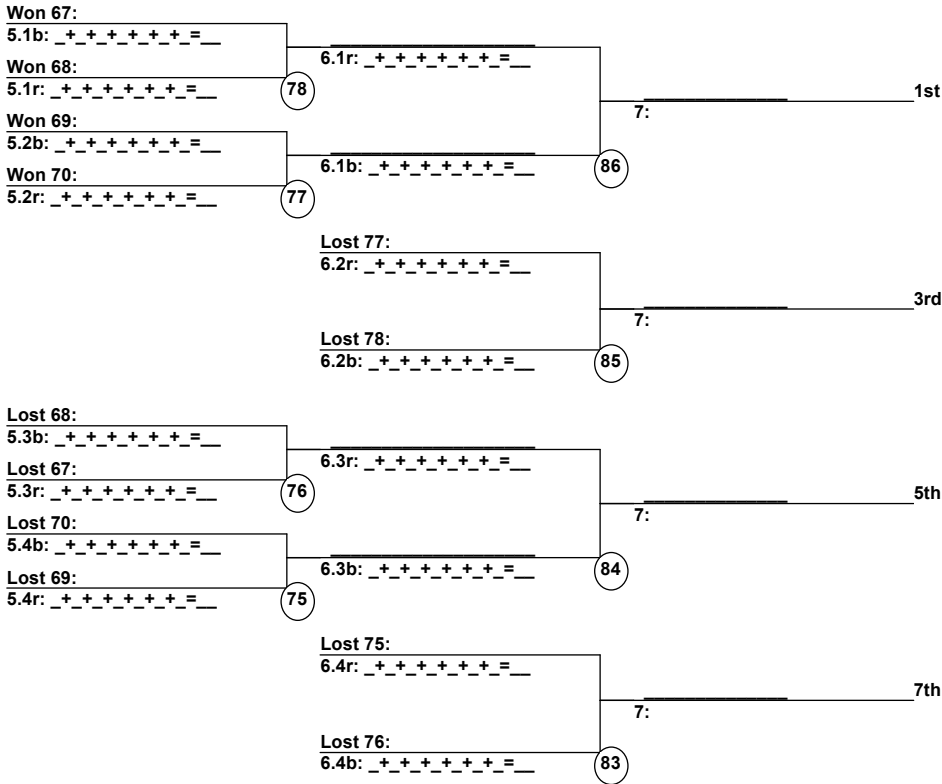
28

29

54

66

MaleSemi-Finals



FemaleSemi-Finals

