



Rocky Mogul Divisionals

Winter Park, CO

Mar 6, 2016 (Sun) (U0636) (U0635)

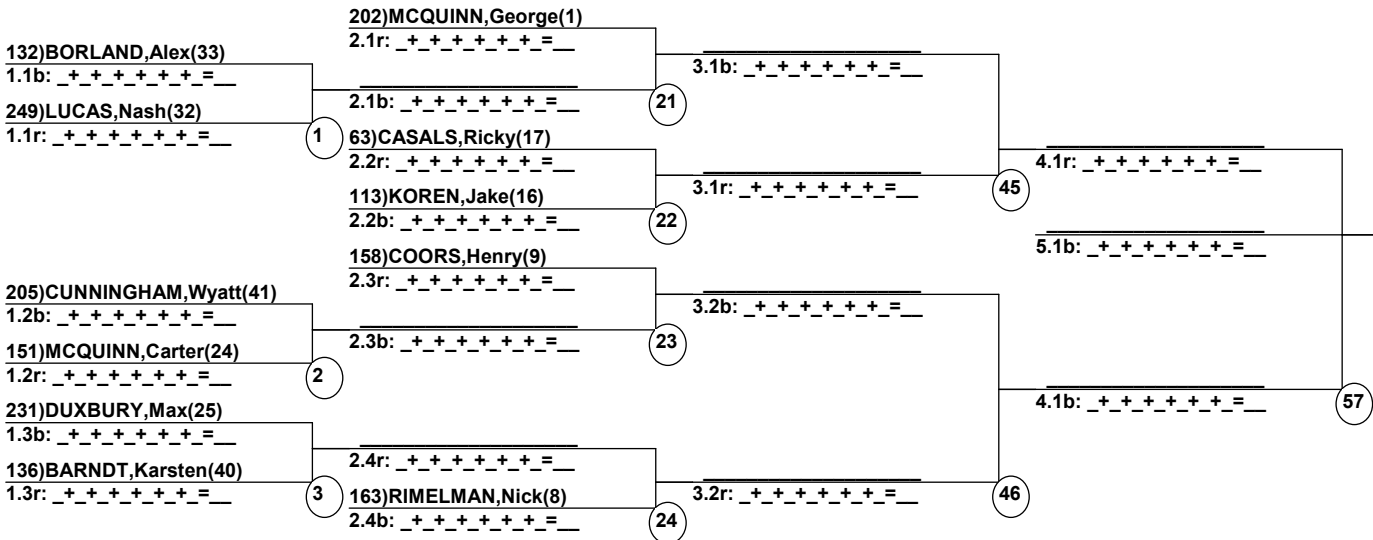
Head Judge: CARPENTER,Helena
Chief of Comp: ANDRINGA,Conrad J
T.D.: JOHNSON,Thomas H
Chief of Scoring: GIACCIO,Erin

Course: Ambush
Length: 230 m
Width: 10 m
Pitch: 25 deg

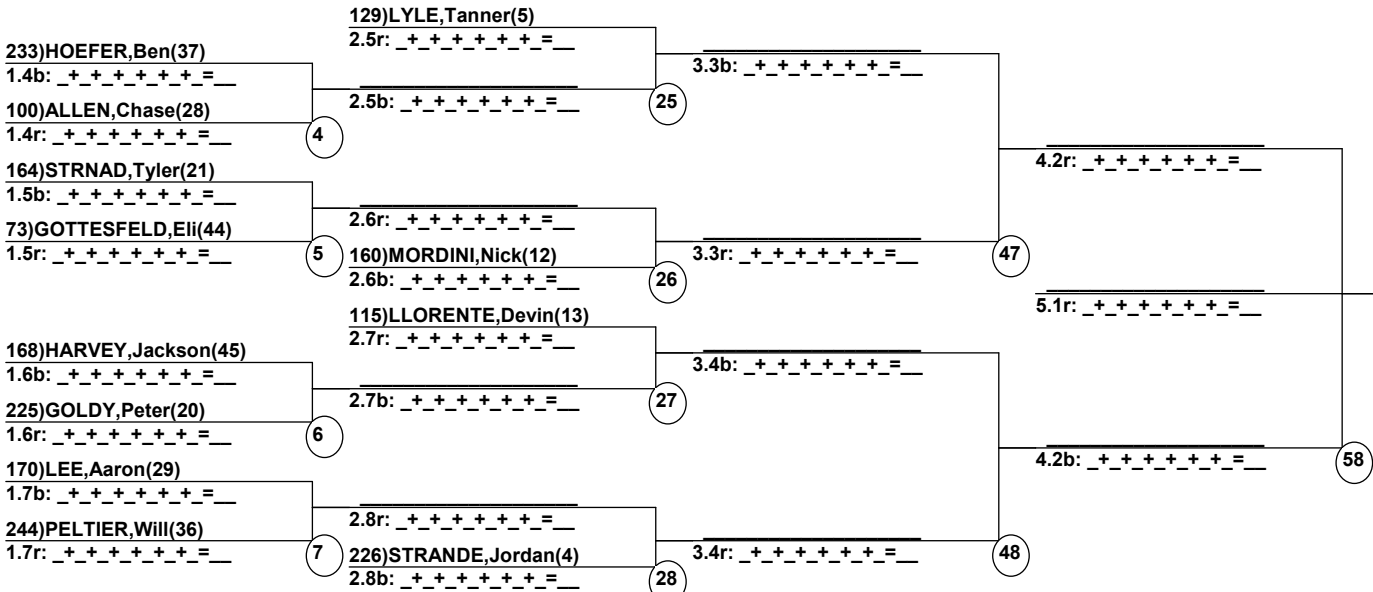
____ Head Judge
____ Chief of Scoring
____ T.D.

Duals Run 1 Entrants Date: Mar 5, 2016 (Sat)
Female/Male (By Duals Run-order) Time: 4:30 pm
Winter Park, CO Rocky Mogul Division

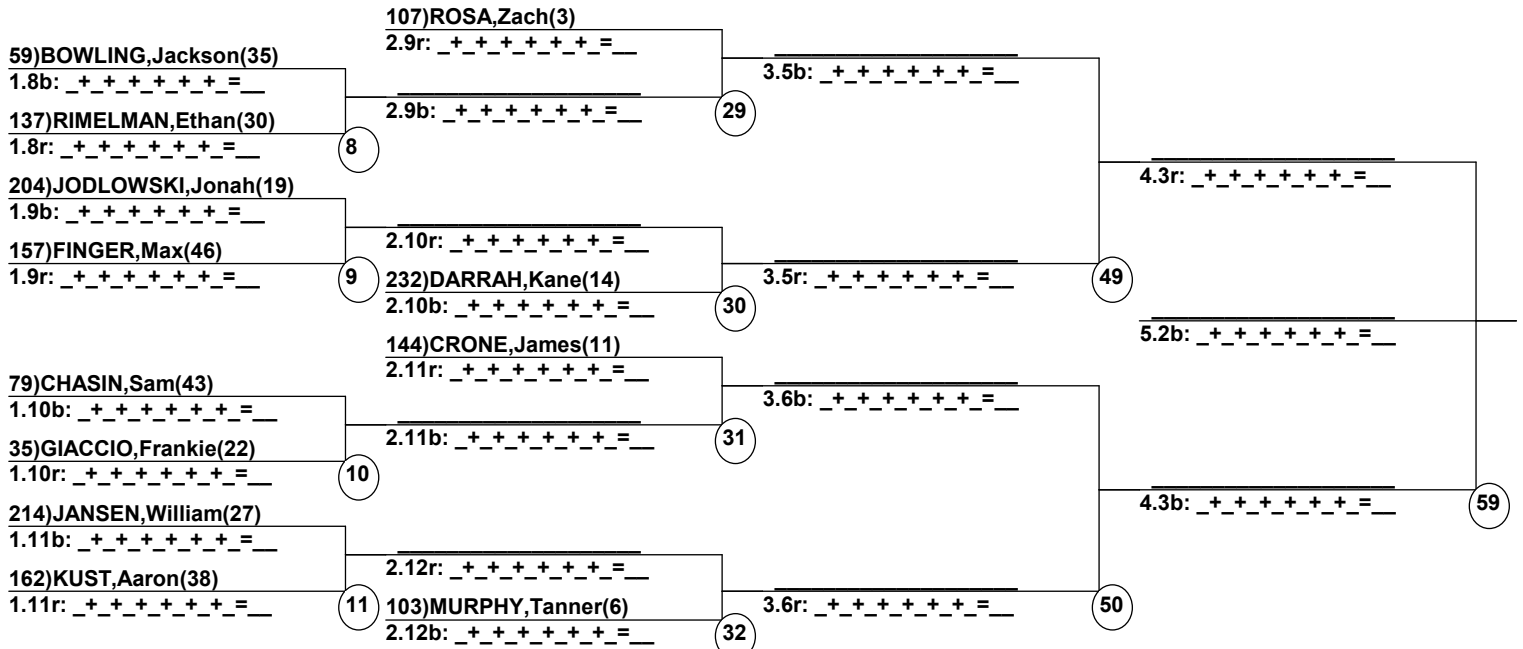
Male Road to Semi-Finals (5.1B)



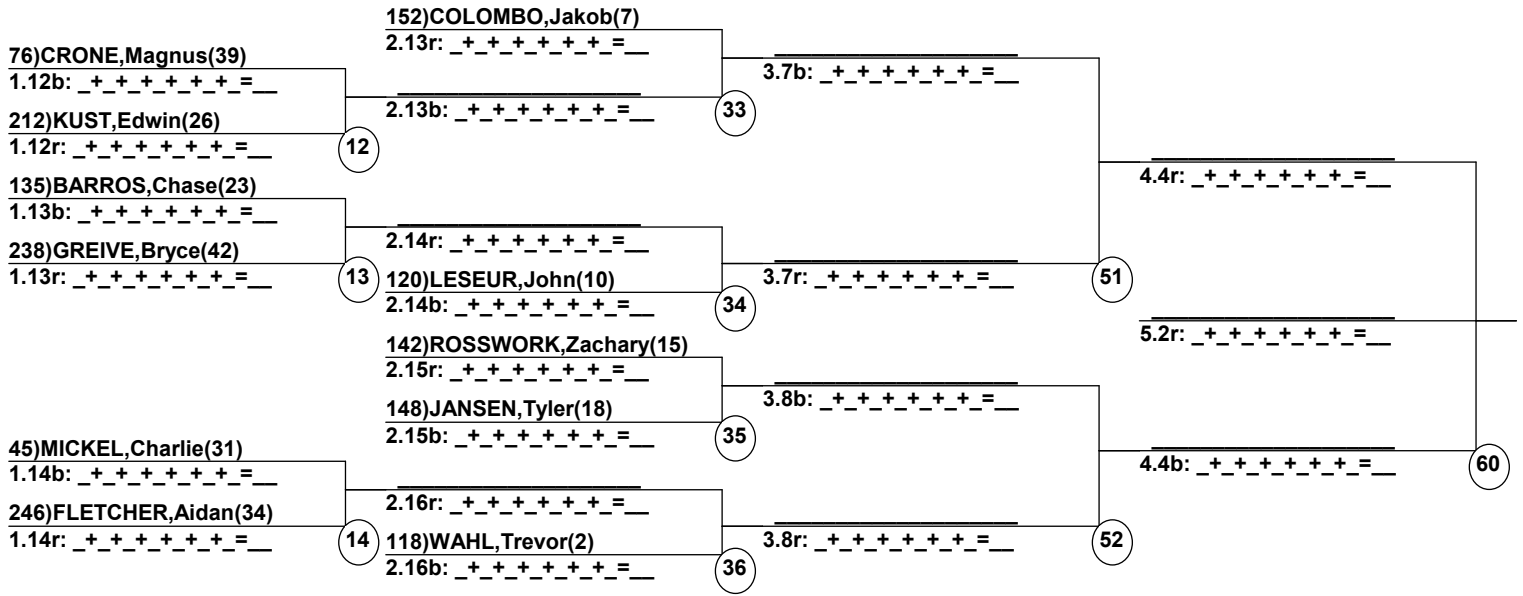
Male Road to Semi-Finals (5.1R)



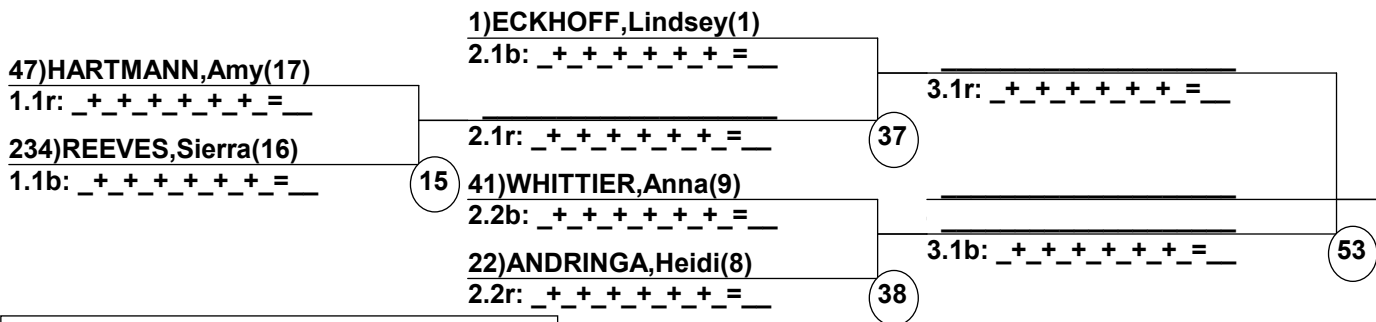
Male Road to Semi-Finals (5.2B)



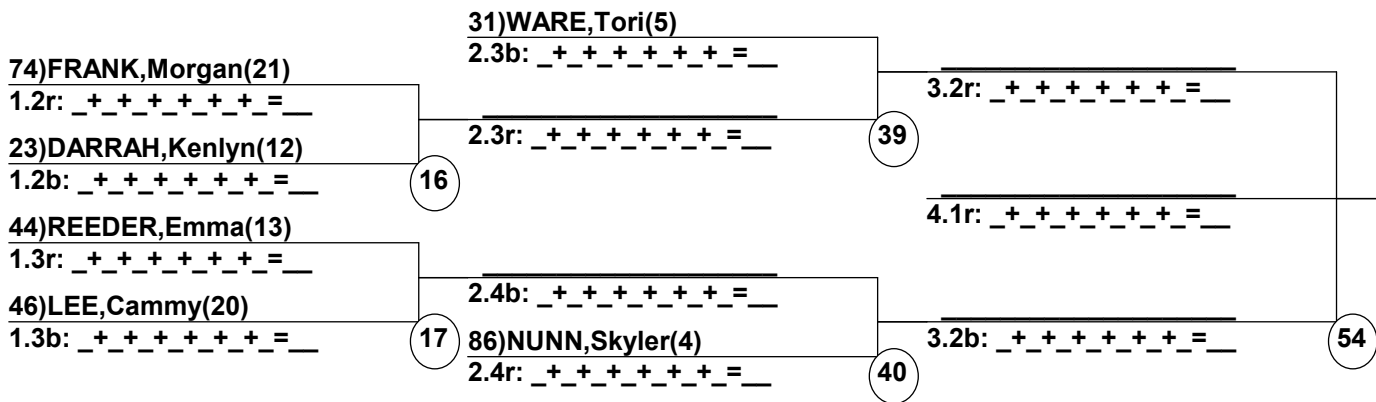
Male Road to Semi-Finals (5.2R)



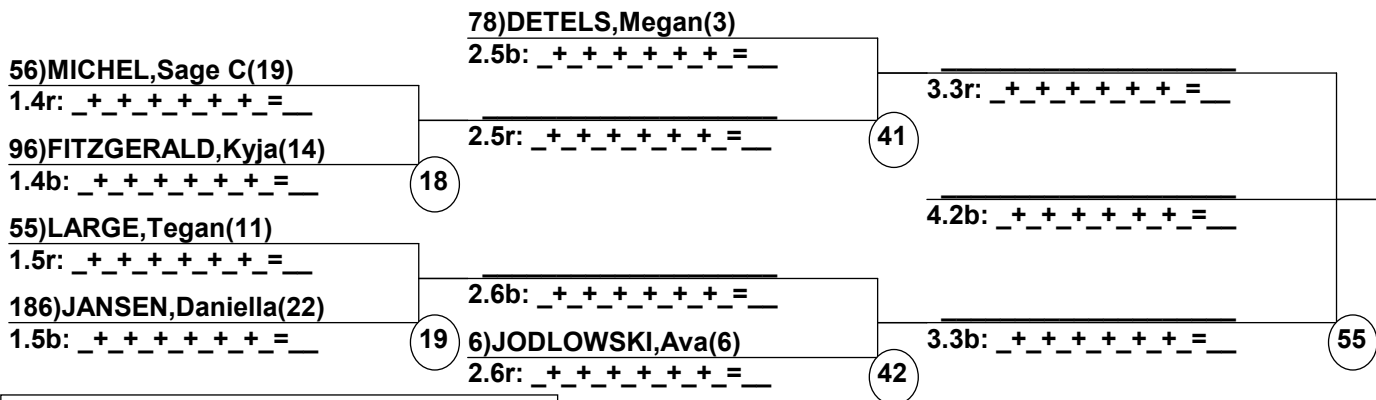
Female Road to Semi-Finals (4.1B)



Female Road to Semi-Finals (4.1R)



Female Road to Semi-Finals (4.2B)



Female Road to Semi-Finals (4.2R)

