



Moguls at Highlands

Aspen Highlands

Jan 16, 2017 (Mon) (U0715) (U0714)

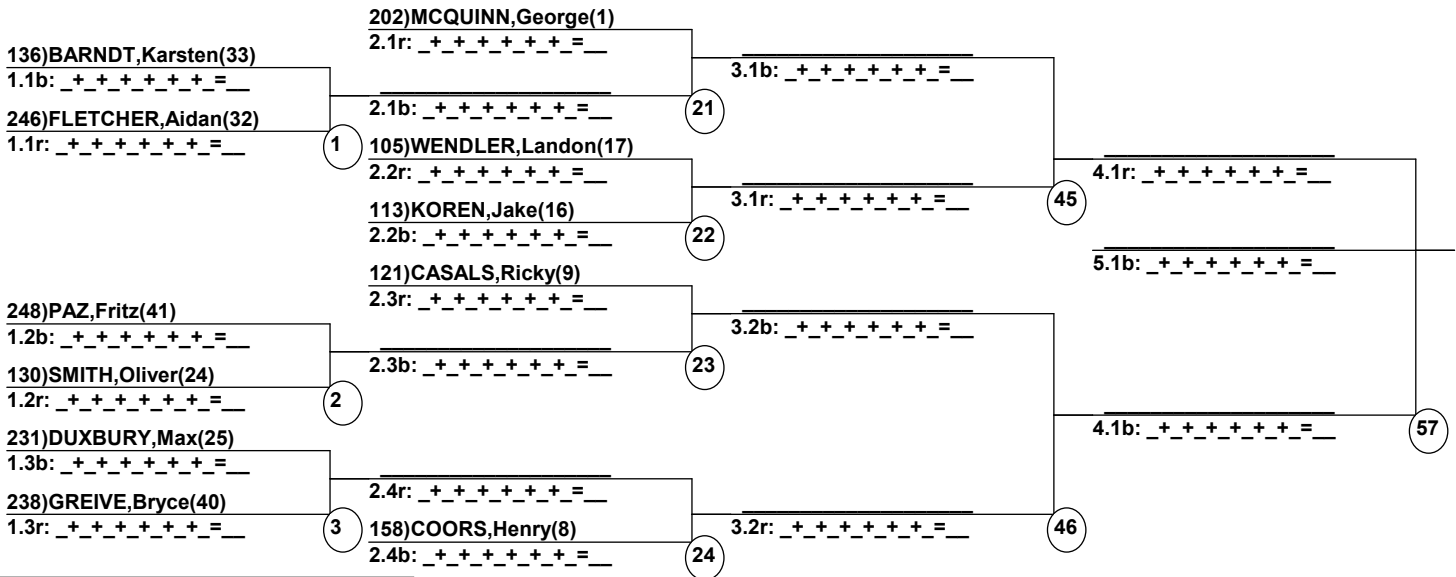
Head Judge: BUCHANAN, Stephen
Chief of Comp: ANDRINGA, Conrad
T.D.: LESEUR, Adam
Chief of Scoring: CRONE, Della

Course: Thunderbowl
Length: 241 m
Pitch: 26 deg

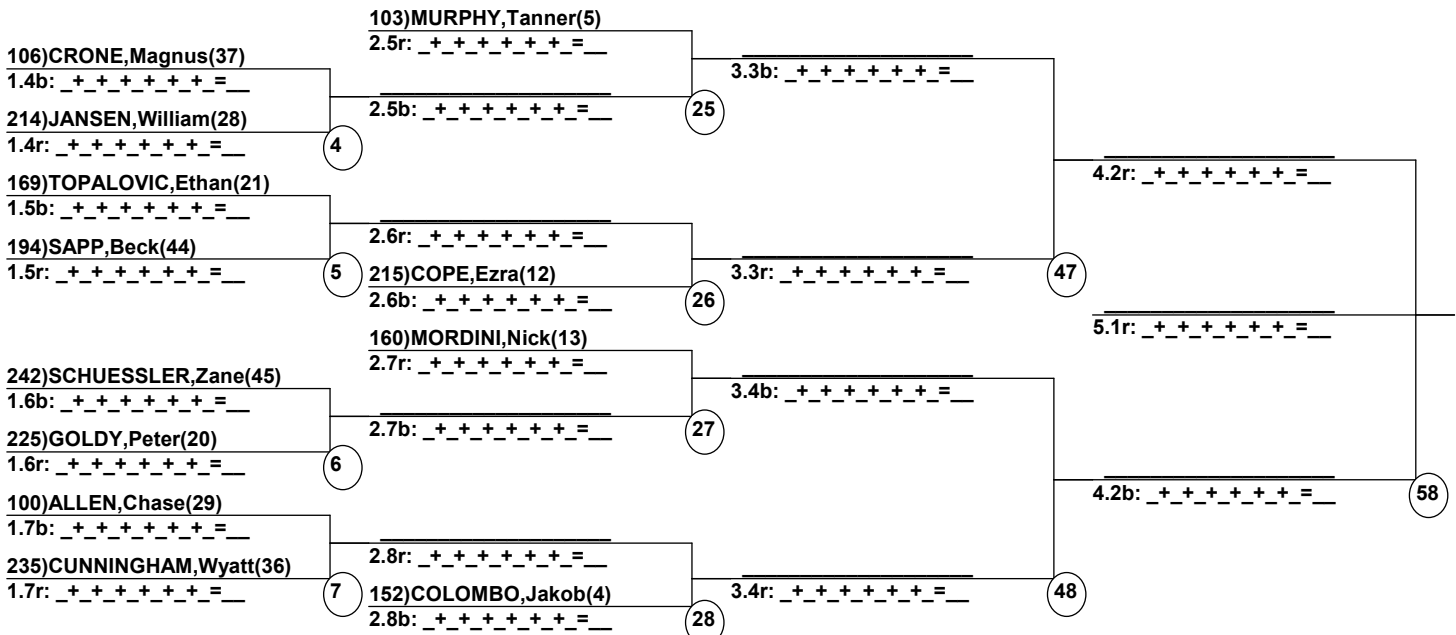
____ Head Judge
____ Chief of Scoring
____ T.D.

Duals Run 1 Entrants Date: Jan 15, 2017 (Sun)
Female/Male (By Duals Run-order) Time: 5:48 pm
Aspen Highlands Moguls at Highlands

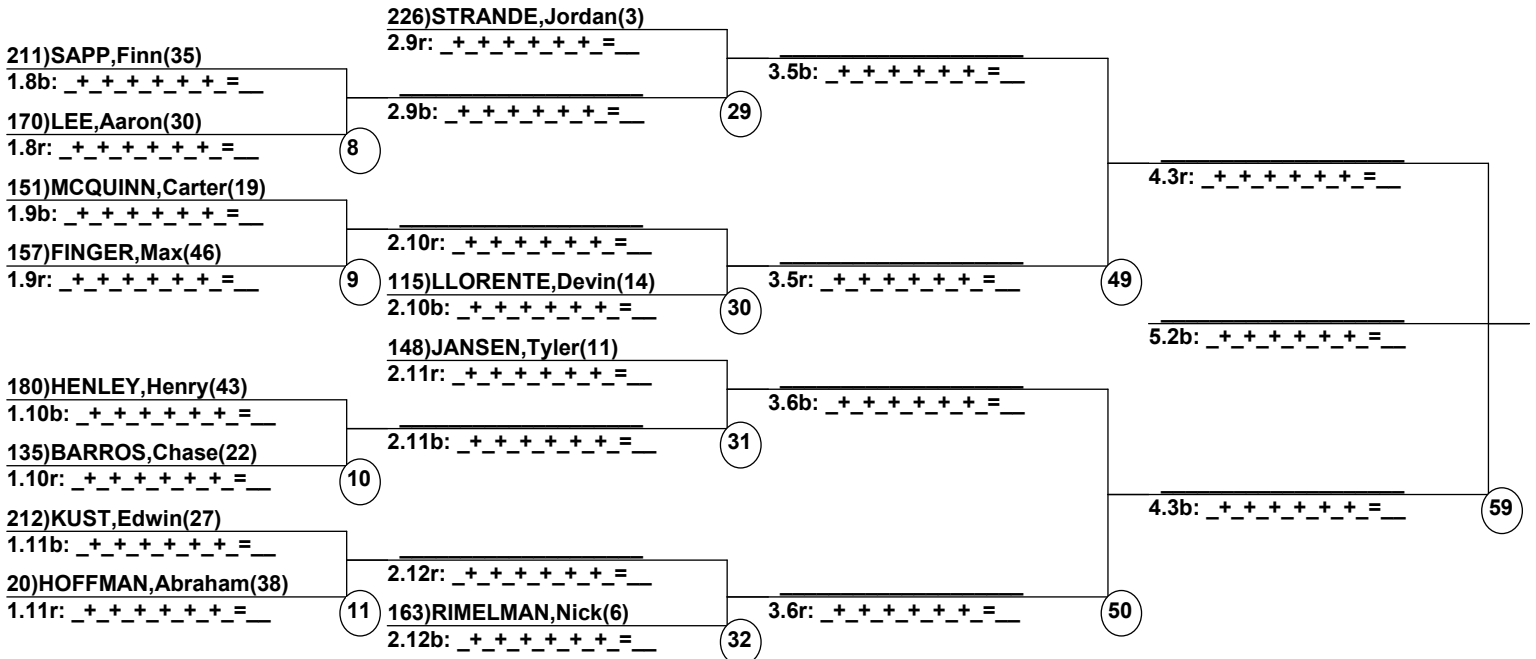
Male Road to Semi-Finals (5.1B)



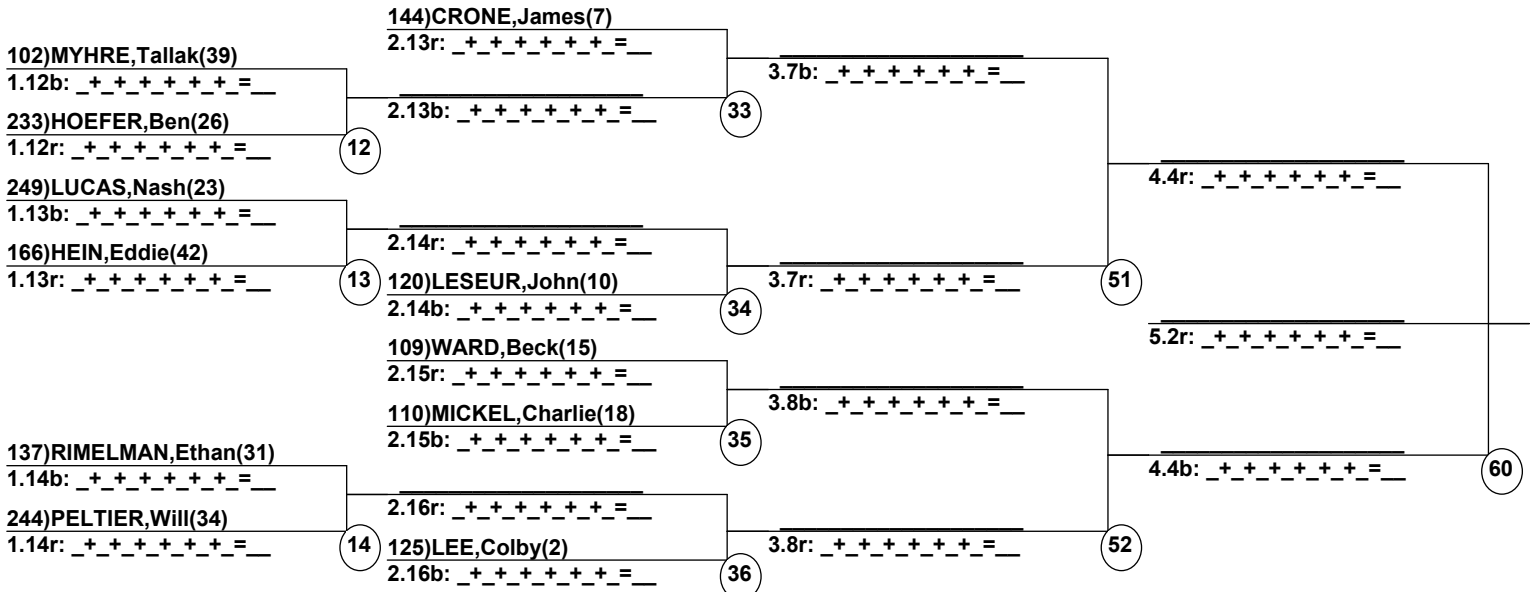
Male Road to Semi-Finals (5.1R)



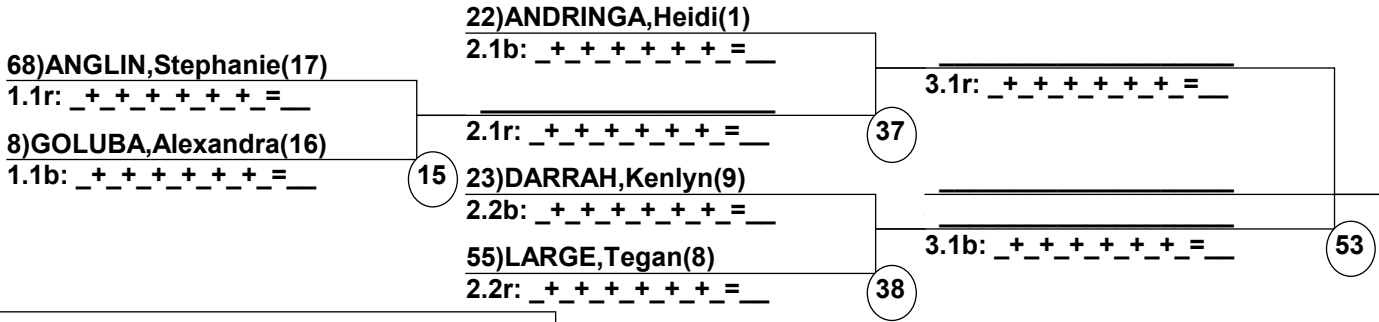
Male Road to Semi-Finals (5.2B)



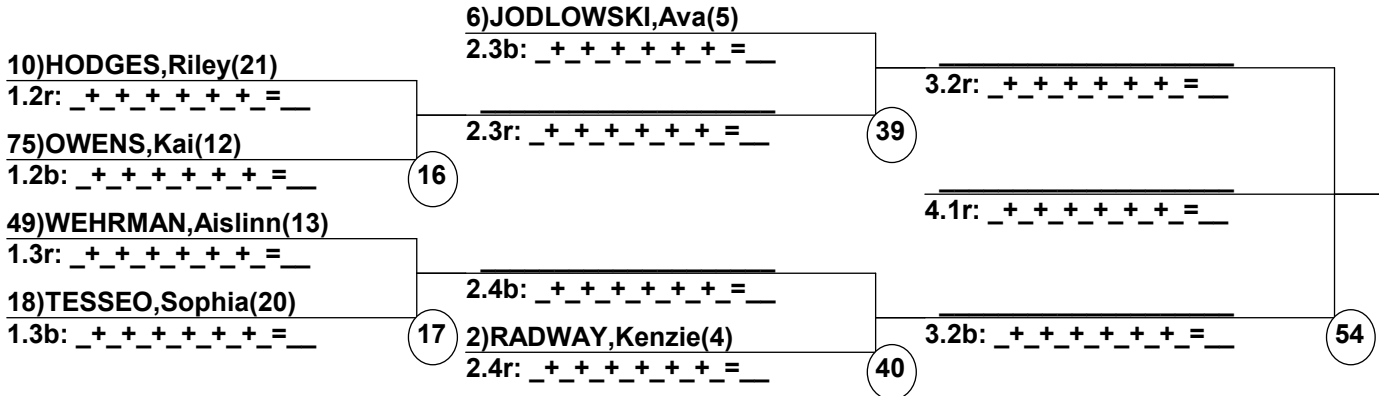
Male Road to Semi-Finals (5.2R)



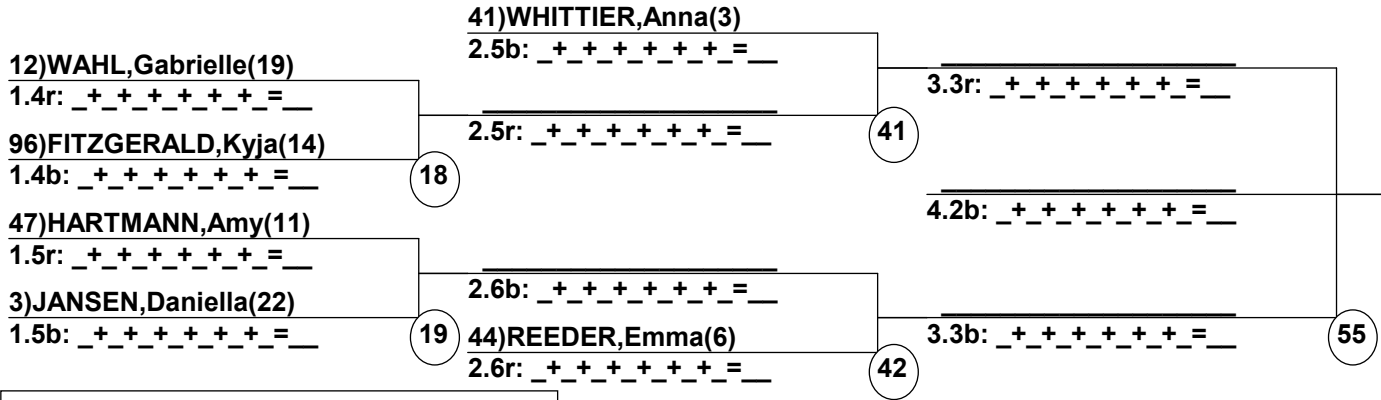
Female Road to Semi-Finals (4.1B)



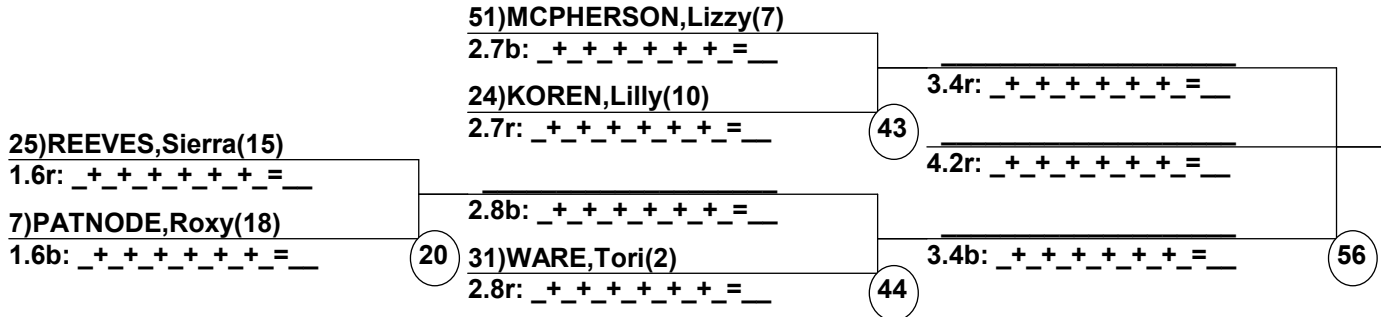
Female Road to Semi-Finals (4.1R)



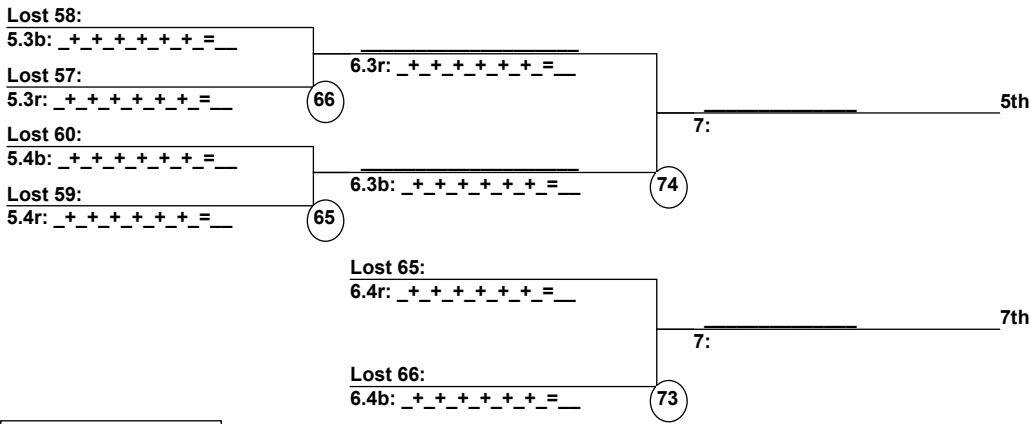
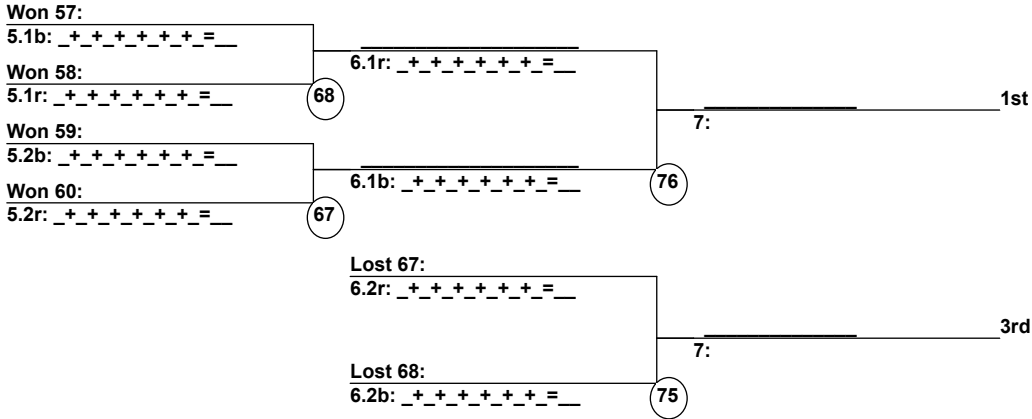
Female Road to Semi-Finals (4.2B)



Female Road to Semi-Finals (4.2R)



MaleSemi-Finals



FemaleSemi-Finals

