



Ski Town USA Moguls

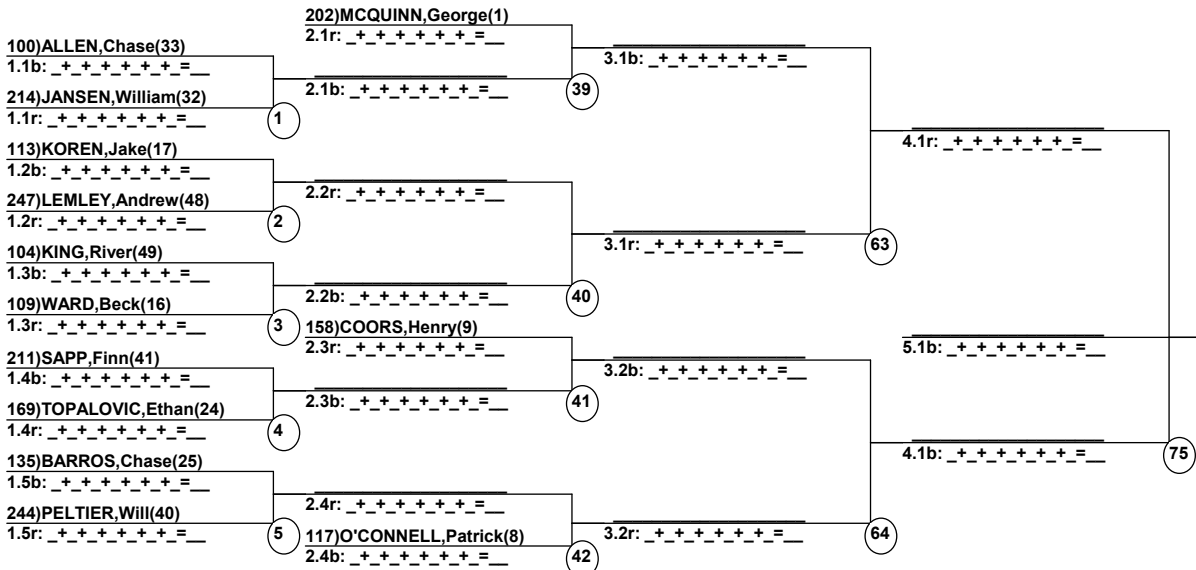
Steamboat Springs
Jan 8, 2017 (Sun) (U0708)

Head Judge: ELLIS, Christopher
Chief of Comp: ANDRINGA, Conrad
T.D.: MATTHEWS, Craig
Chief of Scoring: CRONE, Della

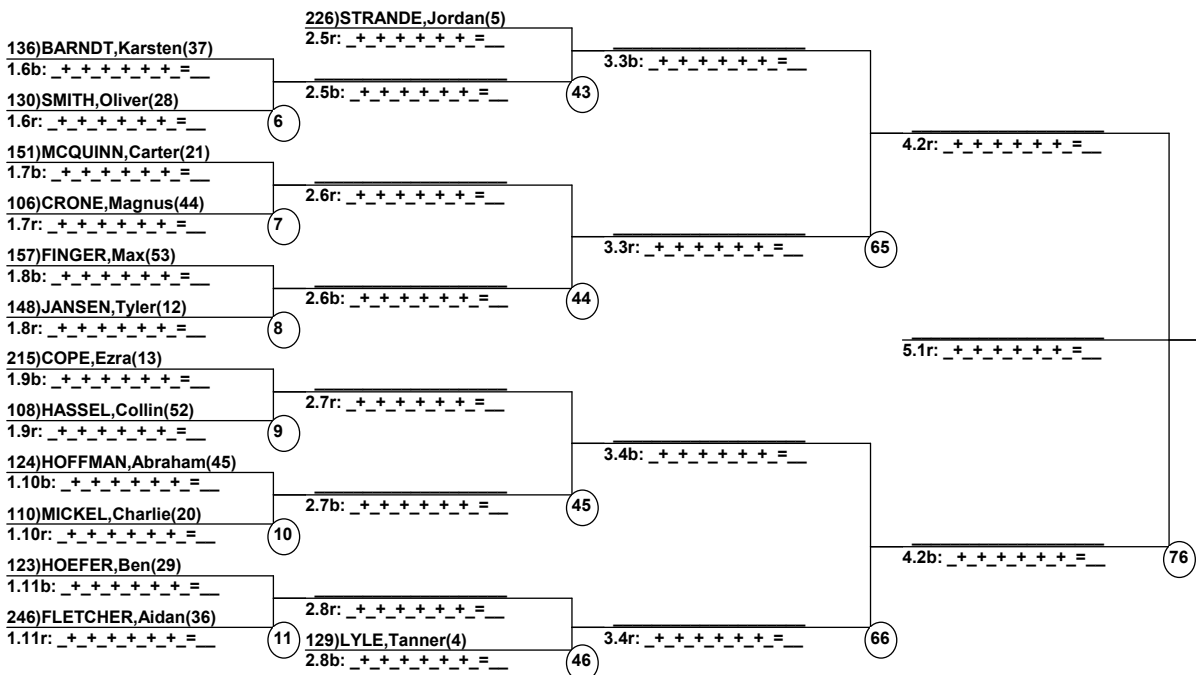
Course: VooDoo
____ Head Judge
____ Chief of Scoring
____ T.D.

Duals Run 1 Entrants Date: Jan 7, 2017 (Sat)
Male (By Duals Run-order) Time: 8:16 pm
Steamboat Springs Ski Town USA Moguls

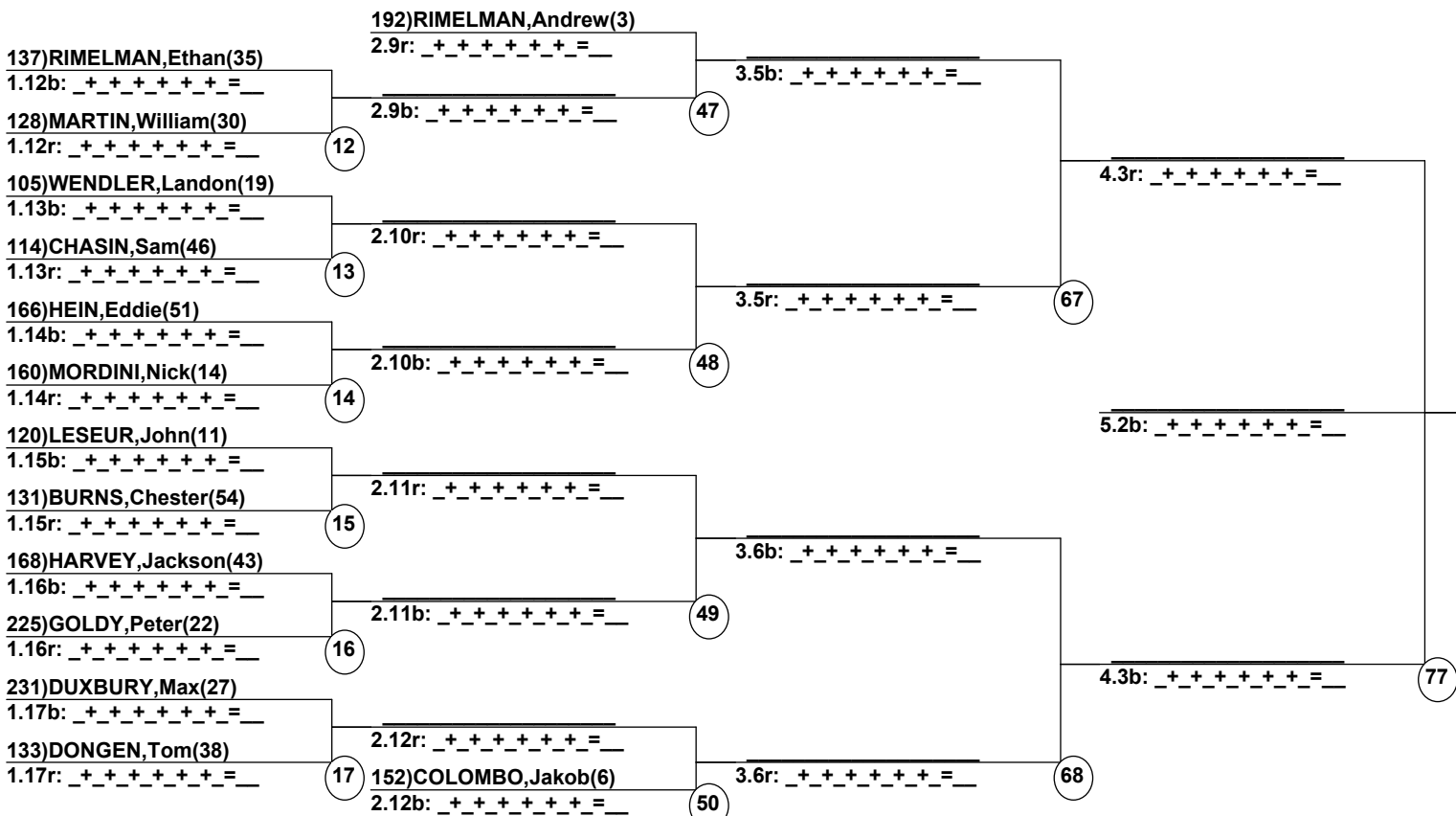
Male Road to Semi-Finals (5.1B)



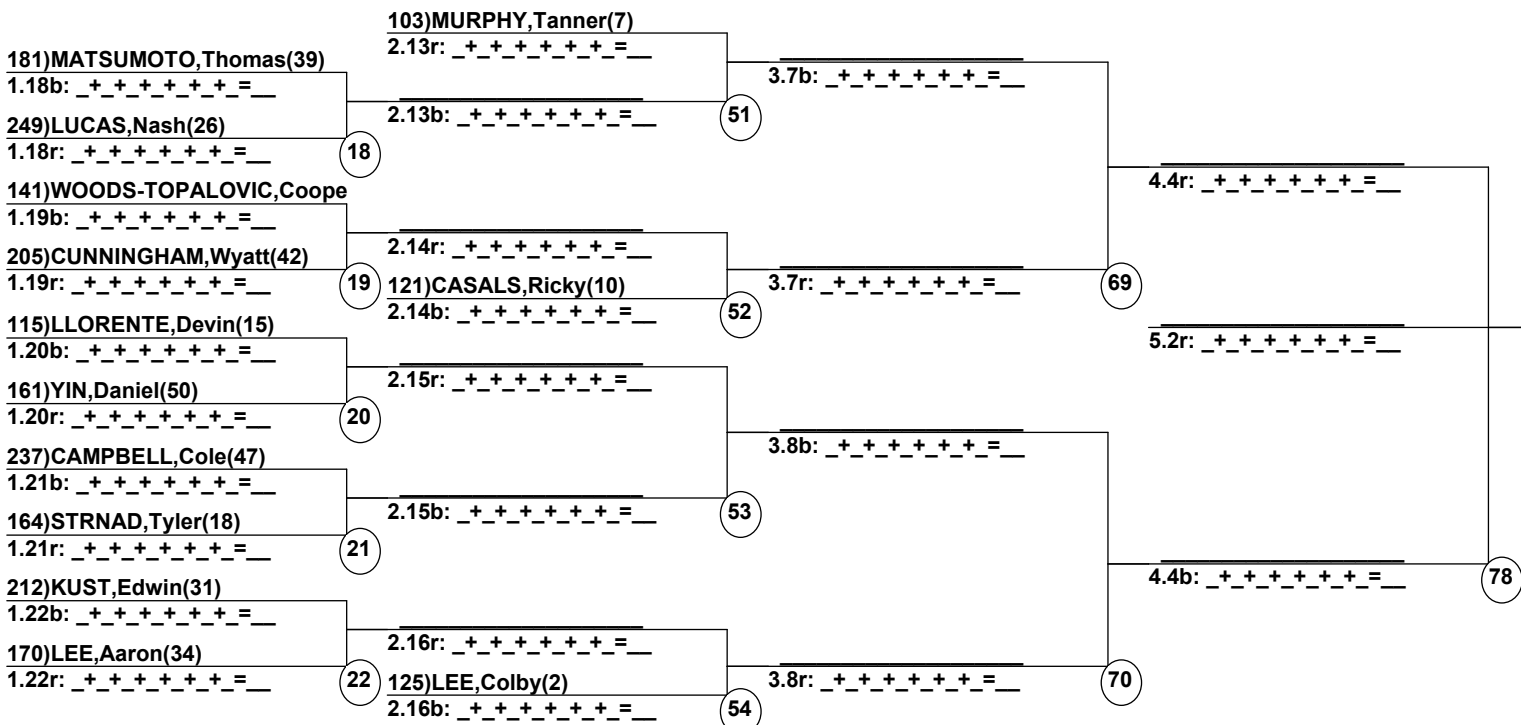
Male Road to Semi-Finals (5.1R)



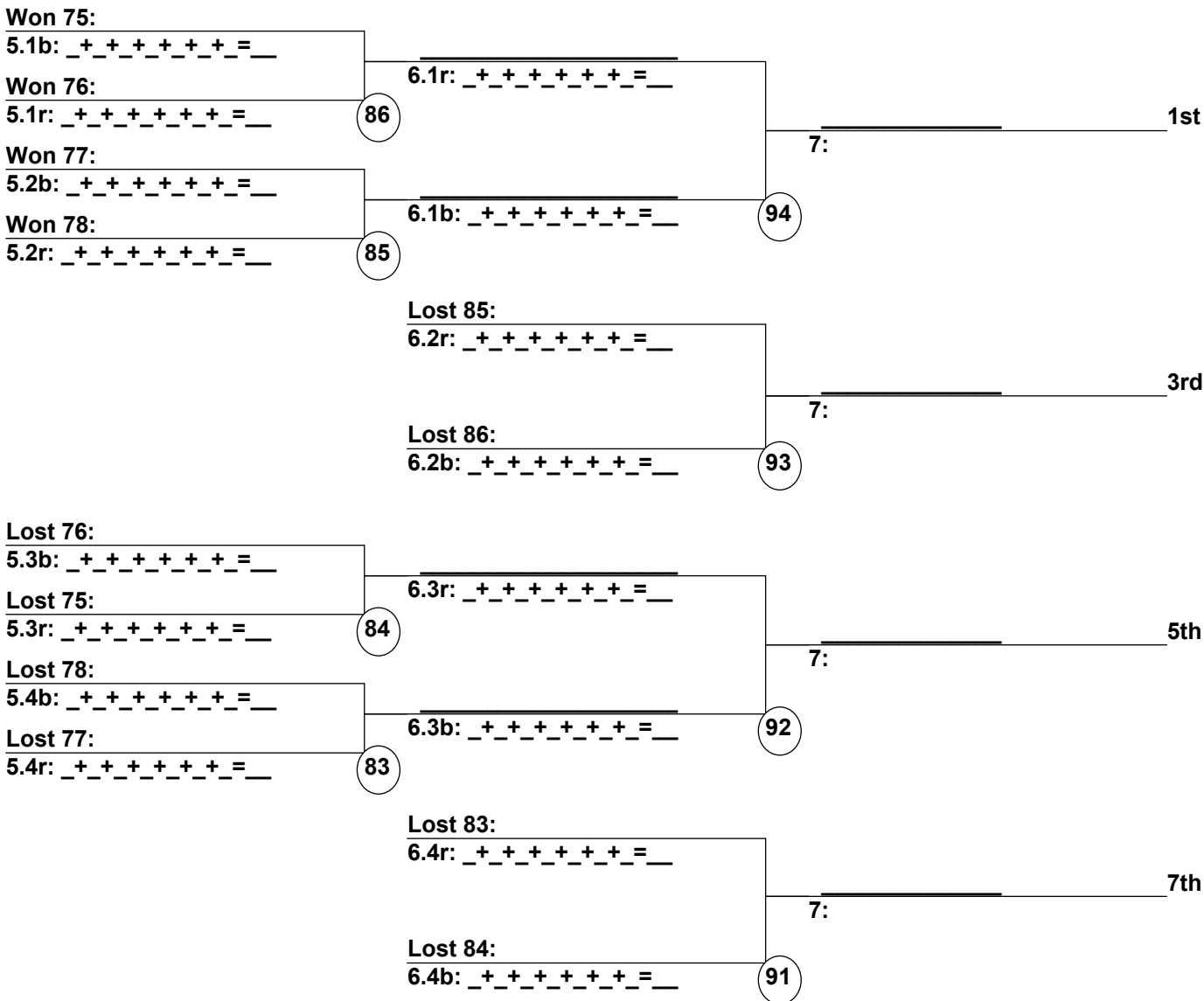
Male Road to Semi-Finals (5.2B)



Male Road to Semi-Finals (5.2R)



Male Semi-Finals



Duals Run 1
Female
Steamboat Springs

Entrants
(By Duals Run-order)
Ski Town USA Moguls

Date: Jan 7, 2017 (Sat)
Time: 7:55 pm

Female Road to Semi-Finals (4.1B)

1)SHIMKO,Avital(1)

1.1r: _+ + + + + = _

61)BEATON,Isabelle(32)

1.1b: _+ + + + + = _

23

23)DARRAH,Kenlyn(17)

1.2r: _+ + + + + = _

55)LARGE,Tegan(16)

1.2b: _+ + + + + = _

24

31)WARE,Tori(9)

1.3r: _+ + + + + = _

25)REEVES,Sierra(24)

1.3b: _+ + + + + = _

25

68)ANGLIN,Stephanie(25)

1.4r: _+ + + + + = _

53)RYAN,Maggie(8)

1.4b: _+ + + + + = _

26

2.1b: _+ + + + + = _

2.1r: _+ + + + + = _

55

3.1r: _+ + + + + = _

4.1b: _+ + + + + = _

3.1b: _+ + + + + = _

71

2.2b: _+ + + + + = _

2.2r: _+ + + + + = _

56

Female Road to Semi-Finals (4.1R)

22)ANDRINGA,Heidi(5)

1.5r: _+ + + + + = _

10)HODGES,Riley(28)

1.5b: _+ + + + + = _

27

75)OWENS,Kai(21)

1.6r: _+ + + + + = _

2)RADWAY,Kenzie(12)

1.6b: _+ + + + + = _

28

30)STEWART,Georgia(13)

1.7r: _+ + + + + = _

47)HARTMANN,Amy(20)

1.7b: _+ + + + + = _

29

93)CREAMER,Carina(29)

1.8r: _+ + + + + = _

21)STOLTZNER,Lane(4)

1.8b: _+ + + + + = _

30

2.3b: _+ + + + + = _

2.3r: _+ + + + + = _

57

3.2r: _+ + + + + = _

4.1r: _+ + + + + = _

3.2b: _+ + + + + = _

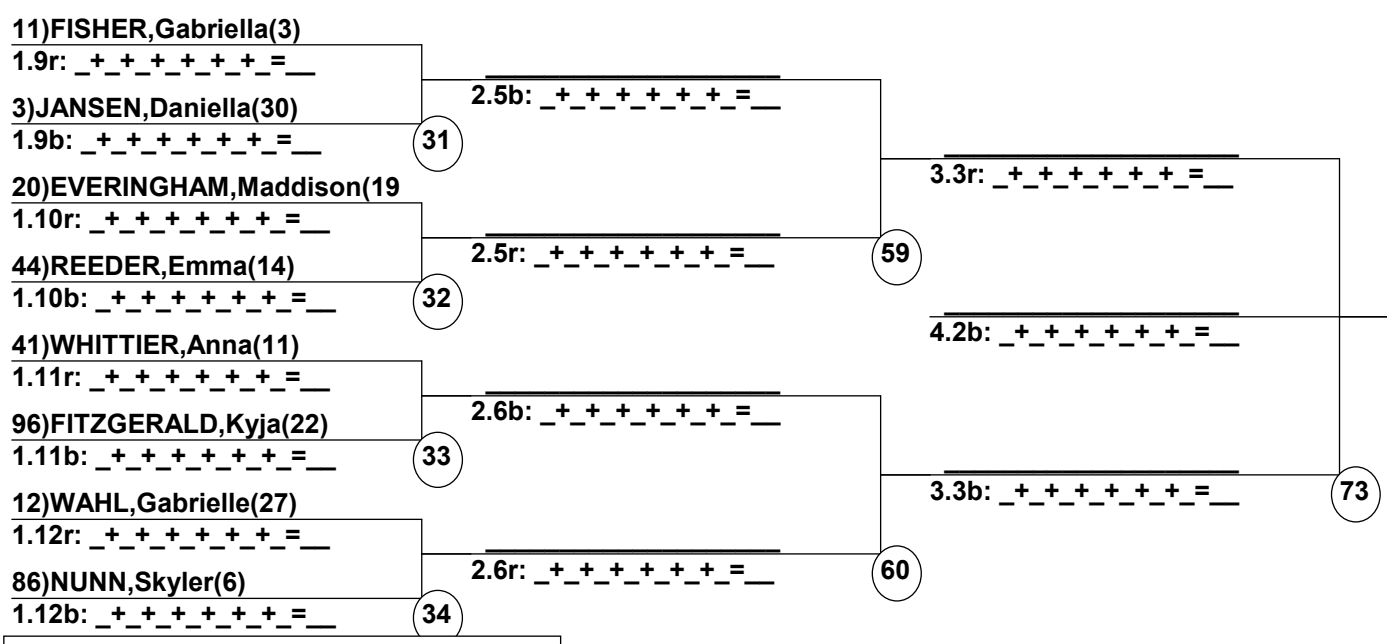
72

2.4b: _+ + + + + = _

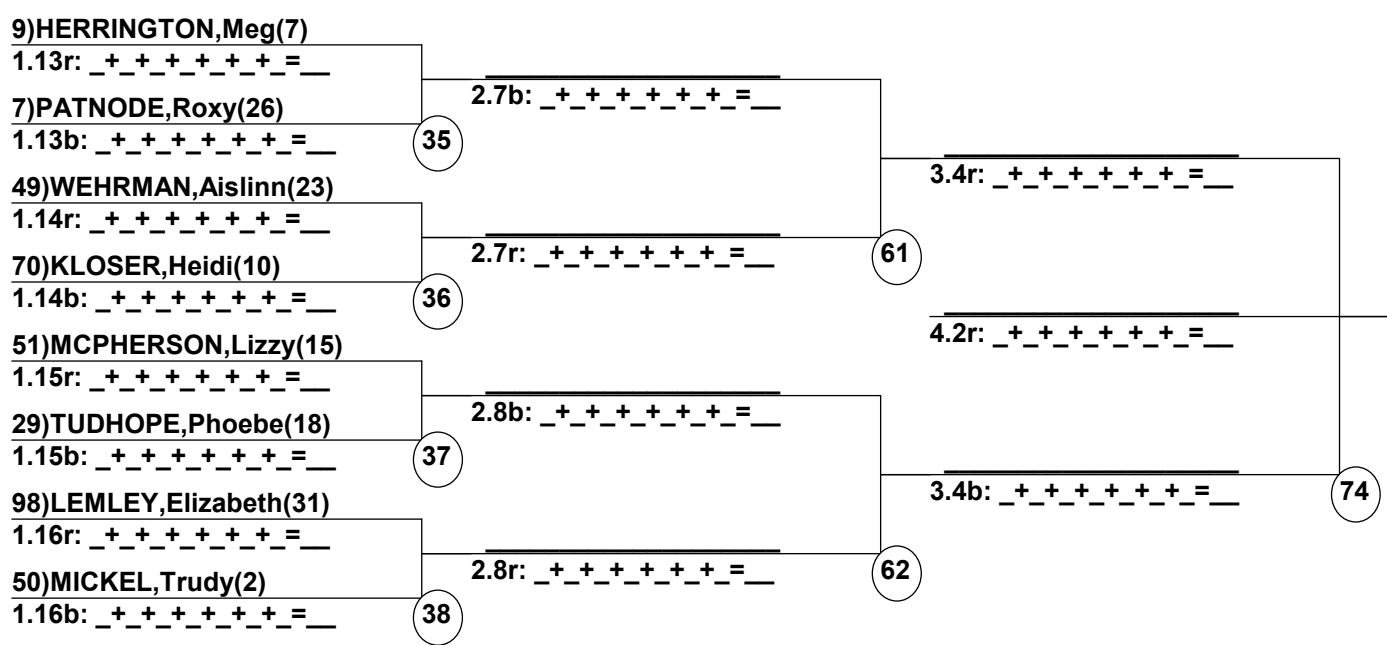
2.4r: _+ + + + + = _

58

Female Road to Semi-Finals (4.2B)



Female Road to Semi-Finals (4.2R)



Female Semi-Finals

