



# President's Mogul Challenge at Telluride

Telluride Ski and Golf  
Feb 20, 2017 (Mon) (U0729) (U0728)

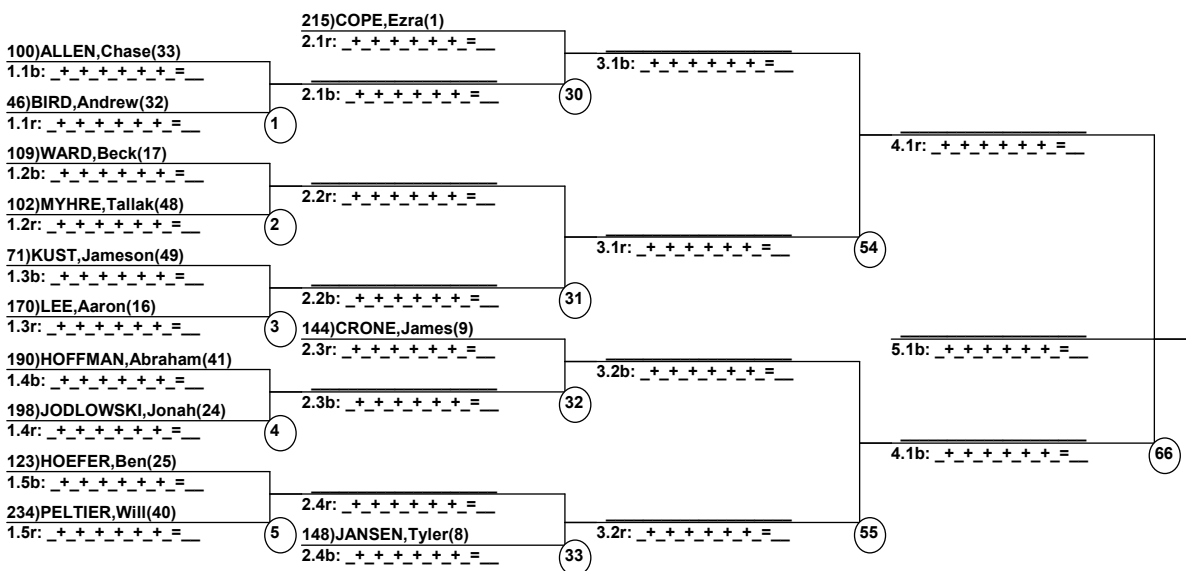
Head Judge: BURROWS,Jeff  
Chief of Comp: NUNN,Randall  
T.D.: JOHNSON,Thomas  
Chief of Scoring: GIACCIO,Erin

Course: Hermit  
Length: 220 m  
Width: 12 m  
Pitch: 24 deg

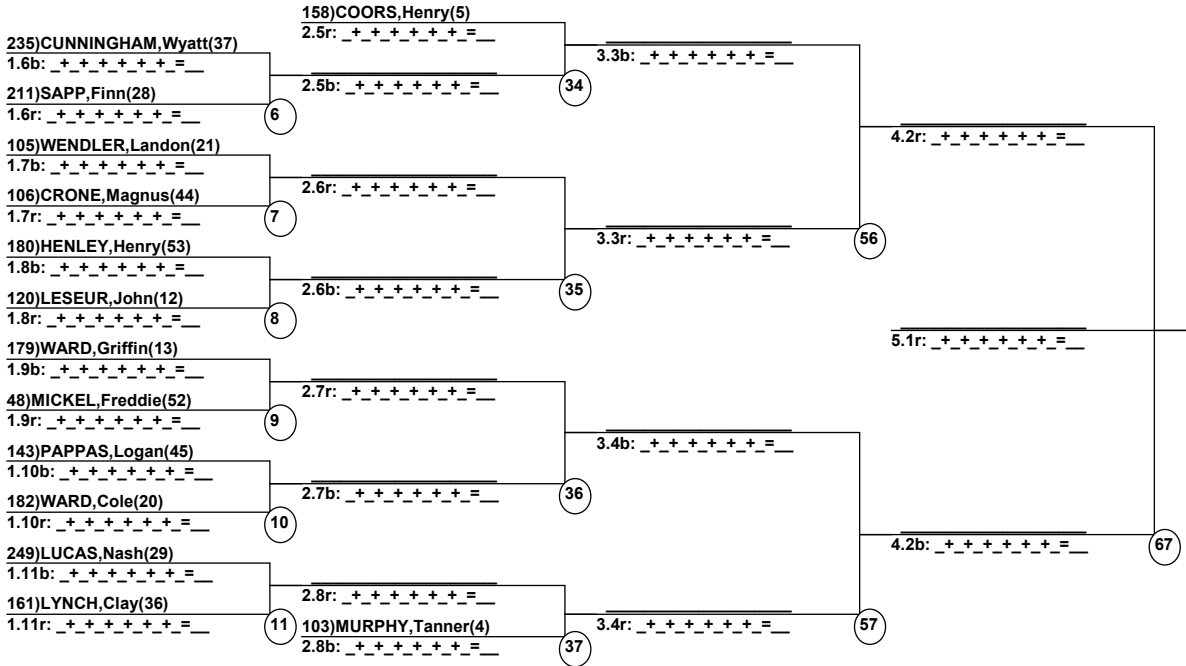
\_\_\_\_\_  
\_\_\_\_\_  
\_\_\_\_\_  
Head Judge  
Chief of Scoring  
T.D.

-----  
Duals Run 1                      Entrants                      Date: Feb 19, 2017 (Sun)  
Female/Male                      (By Duals Run-order)              Time: 5:22 pm  
Telluride Ski and Go              President's Mogul Ch  
-----

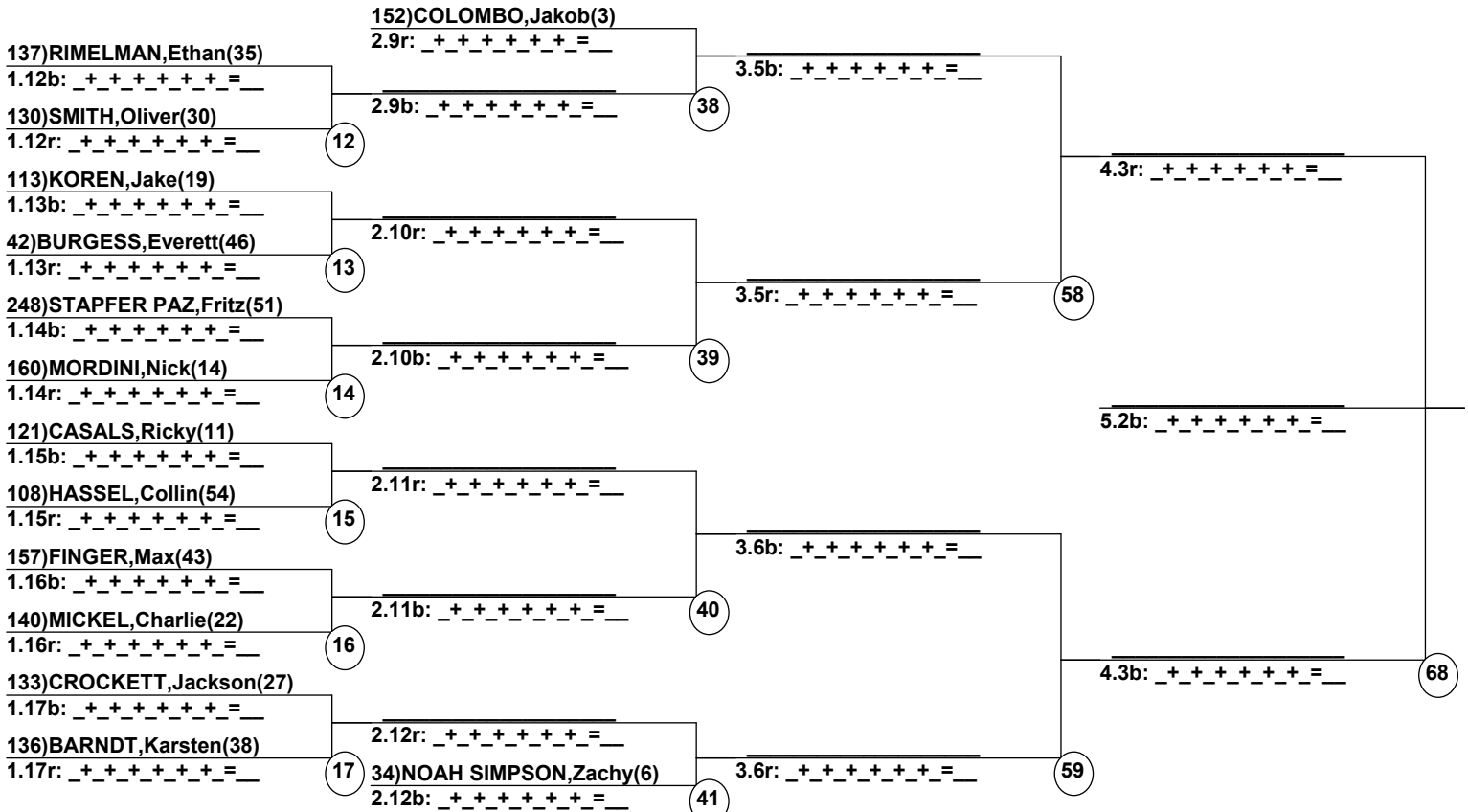
### Male Road to Semi-Finals (5.1B)



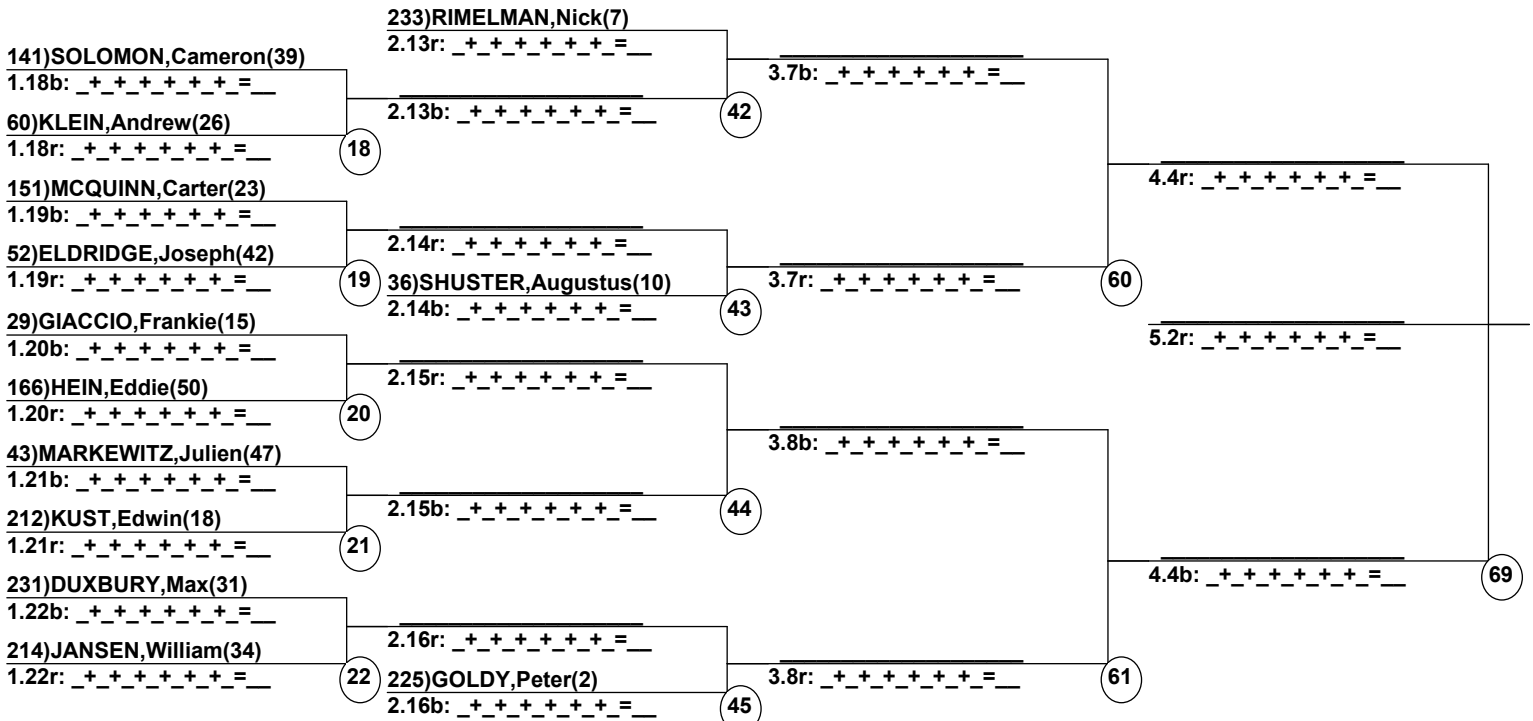
### Male Road to Semi-Finals (5.1R)



Male Road to Semi-Finals (5.2B)



Male Road to Semi-Finals (5.2R)



Female Road to Semi-Finals (4.1B)

12)WAHL,Gabrielle(17)

1.1r: \_+\_+\_+\_+\_+\_=\_

68)ANGLIN,Stephanie(16)

1.1b: \_+\_+\_+\_+\_+\_=\_

23

22)ANDRINGA,Heidi(1)

2.1b: \_+\_+\_+\_+\_+\_=\_

2.1r: \_+\_+\_+\_+\_+\_=\_

35)SCHMID,Kaia(9)

2.2b: \_+\_+\_+\_+\_+\_=\_

6)JODLOWSKI,Ava(8)

2.2r: \_+\_+\_+\_+\_+\_=\_

46

3.1r: \_+\_+\_+\_+\_+\_=\_

3.1b: \_+\_+\_+\_+\_+\_=\_

62

47

Female Road to Semi-Finals (4.1R)

39)WEAVER,Brantley(21)

1.2r: \_+\_+\_+\_+\_+\_=\_

55)LARGE,Tegan(12)

1.2b: \_+\_+\_+\_+\_+\_=\_

24

4)FITZGERALD,Kyja(13)

1.3r: \_+\_+\_+\_+\_+\_=\_

18)TESSEO,Sophia(20)

1.3b: \_+\_+\_+\_+\_+\_=\_

25

57)COLE,Elissa(5)

2.3b: \_+\_+\_+\_+\_+\_=\_

2.3r: \_+\_+\_+\_+\_+\_=\_

2.4b: \_+\_+\_+\_+\_+\_=\_

2)RADWAY,Kenzie(4)

2.4r: \_+\_+\_+\_+\_+\_=\_

48

3.2r: \_+\_+\_+\_+\_+\_=\_

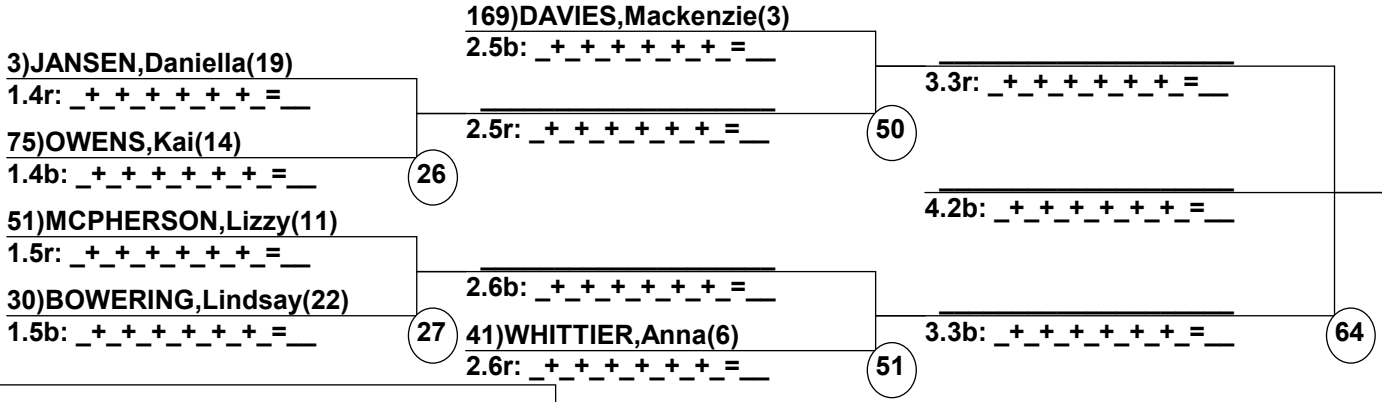
4.1r: \_+\_+\_+\_+\_+\_=\_

3.2b: \_+\_+\_+\_+\_+\_=\_

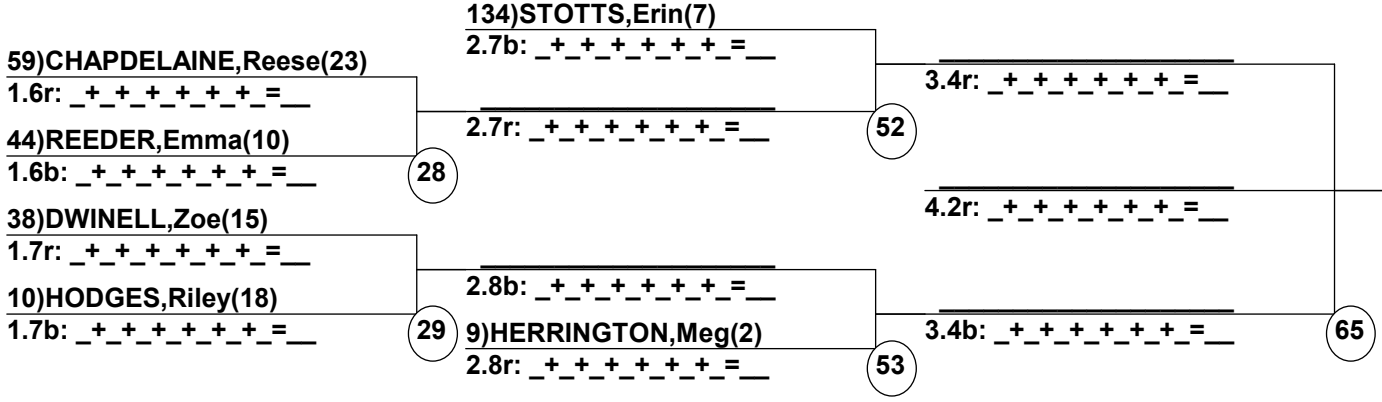
63

49

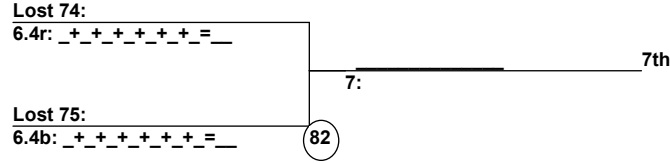
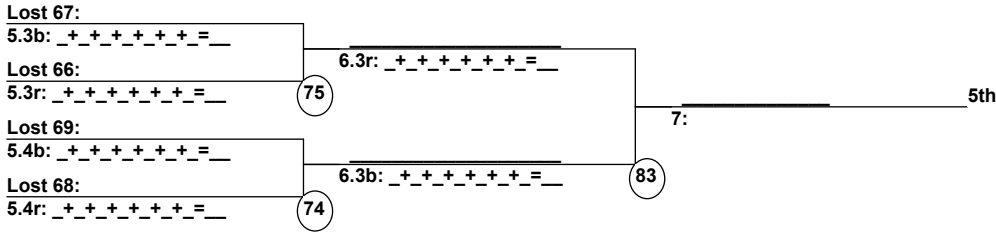
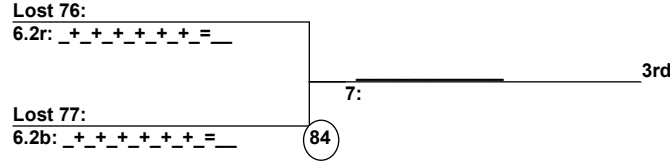
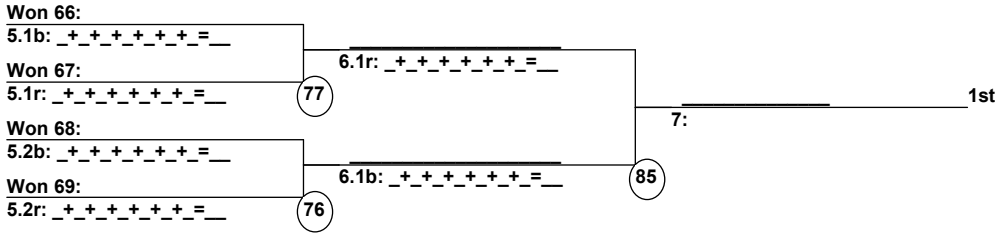
Female Road to Semi-Finals (4.2B)



Female Road to Semi-Finals (4.2R)



MaleSemi-Finals



FemaleSemi-Finals

