



# Winter Park Winter Heat

Winter Park  
Feb 5, 2017 (Sun) (U0723) (U0722)

Unofficial

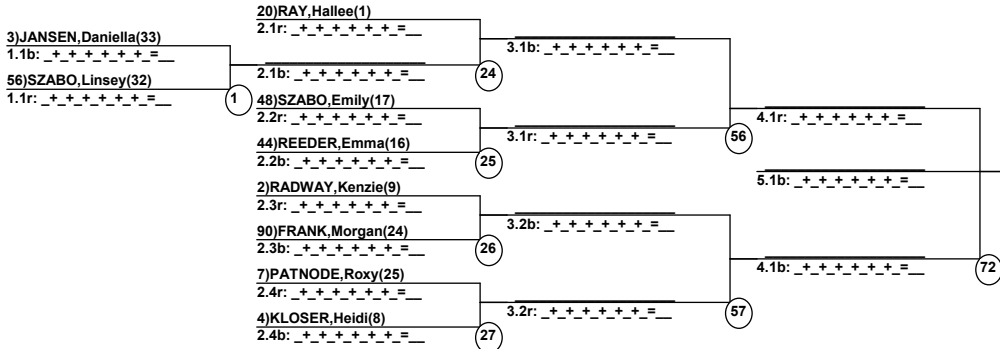
Head Judge: POWELL,Helena  
Chief of Comp: NUNN,Randall  
T.D.: CRONE,John  
Chief of Scoring: PATNODE,Patricia

Course: Ambush  
\_\_\_\_ Head Judge  
\_\_\_\_ Chief of Scoring  
\_\_\_\_ T.D.

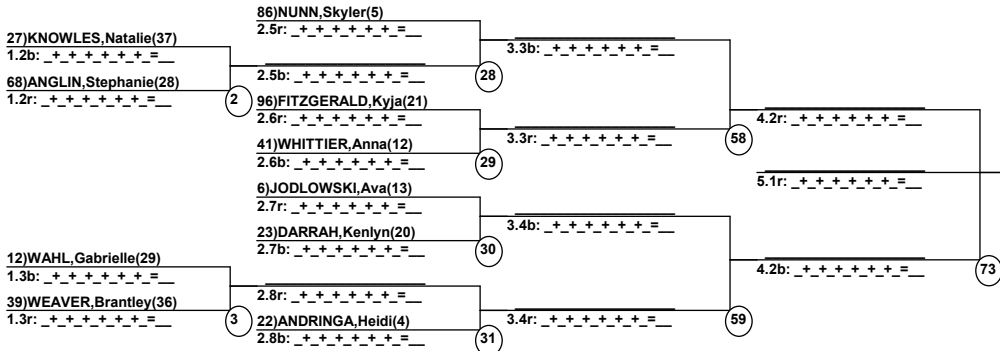
Unofficial

-----  
Duals Run 1                      Entrants                      Date: Feb 4, 2017 (Sat)  
Female/Male                      (By Duals Run-order)                      Time: 5:00 pm  
Winter Park                      Winter Park Winter H  
-----

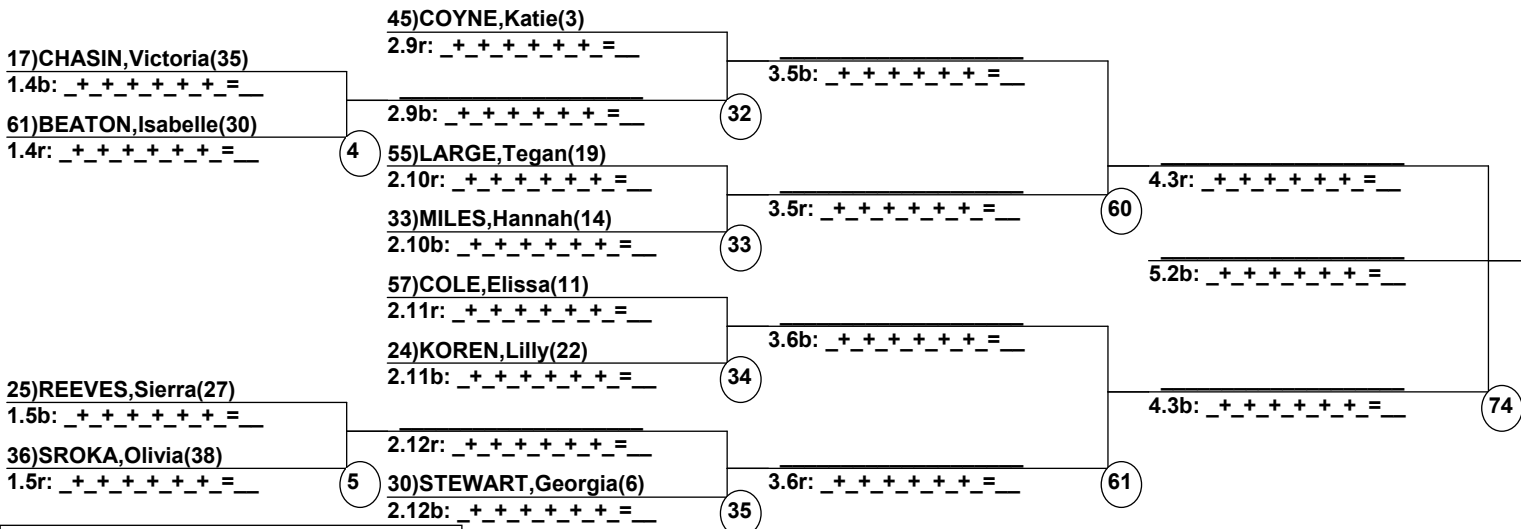
### Female Road to Semi-Finals (5.1B)



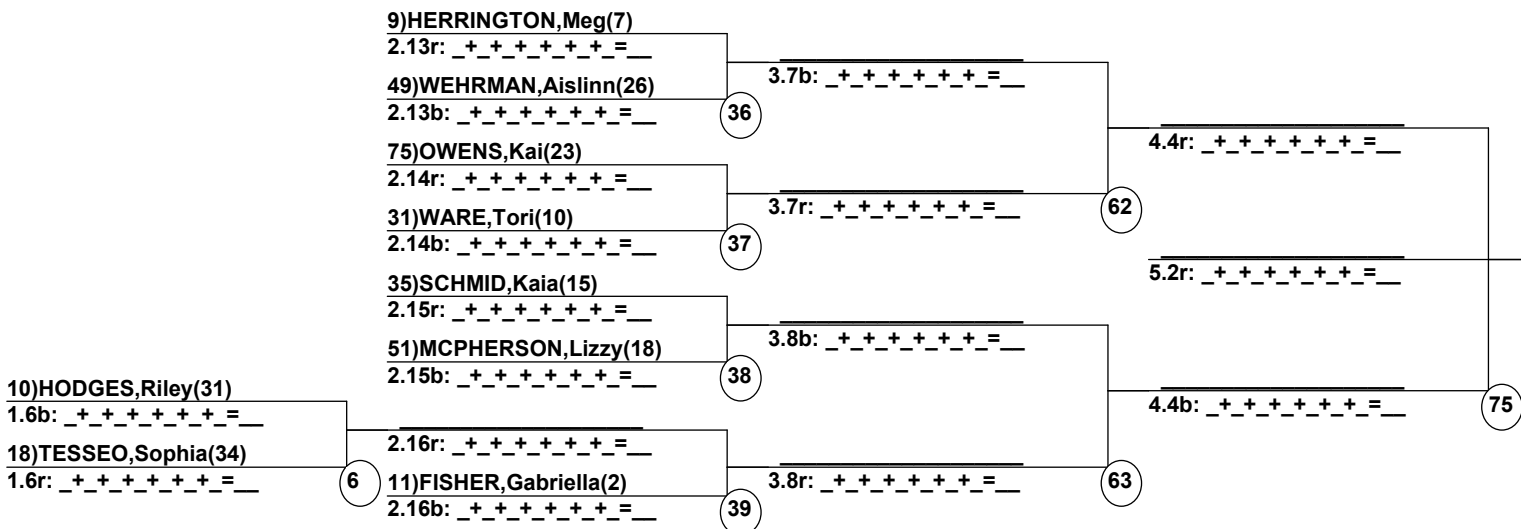
### Female Road to Semi-Finals (5.1R)



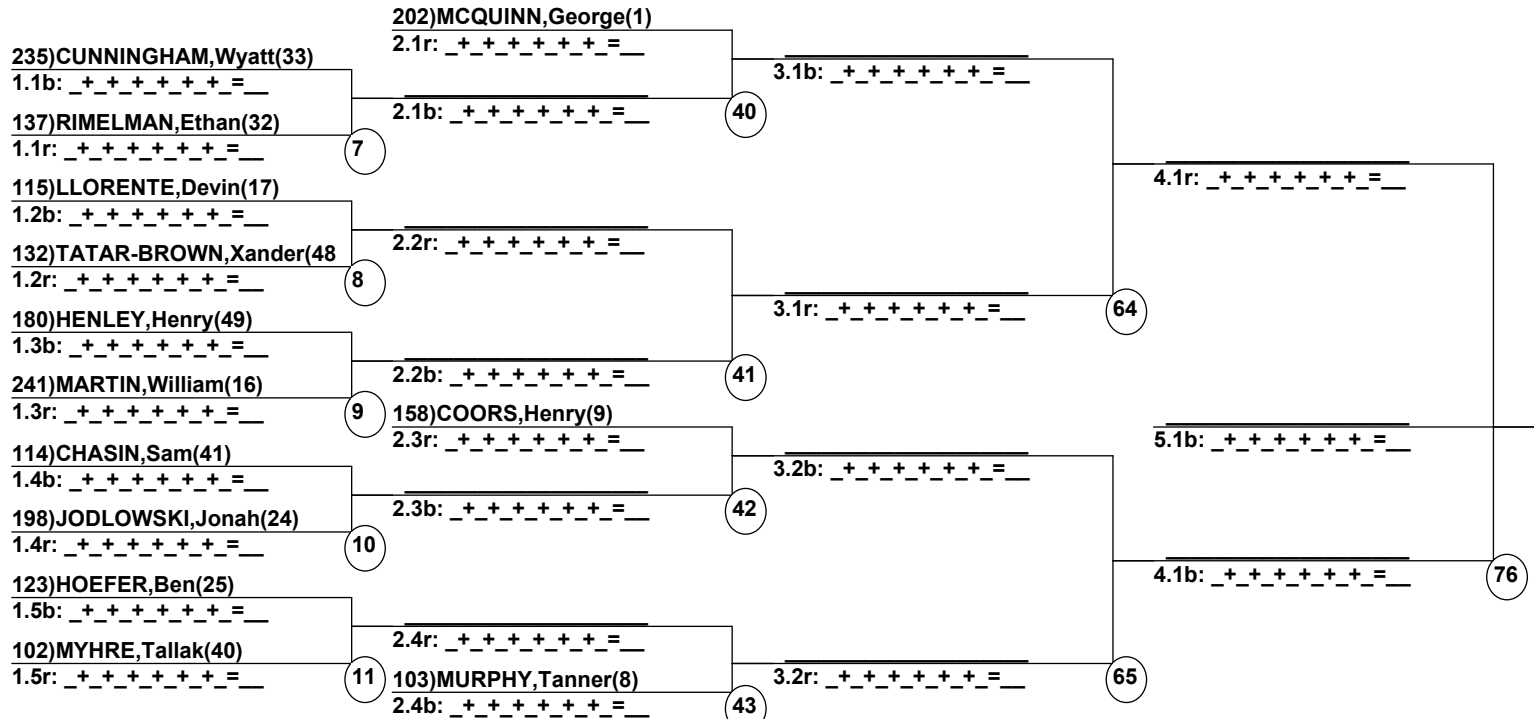
Female Road to Semi-Finals (5.2B)



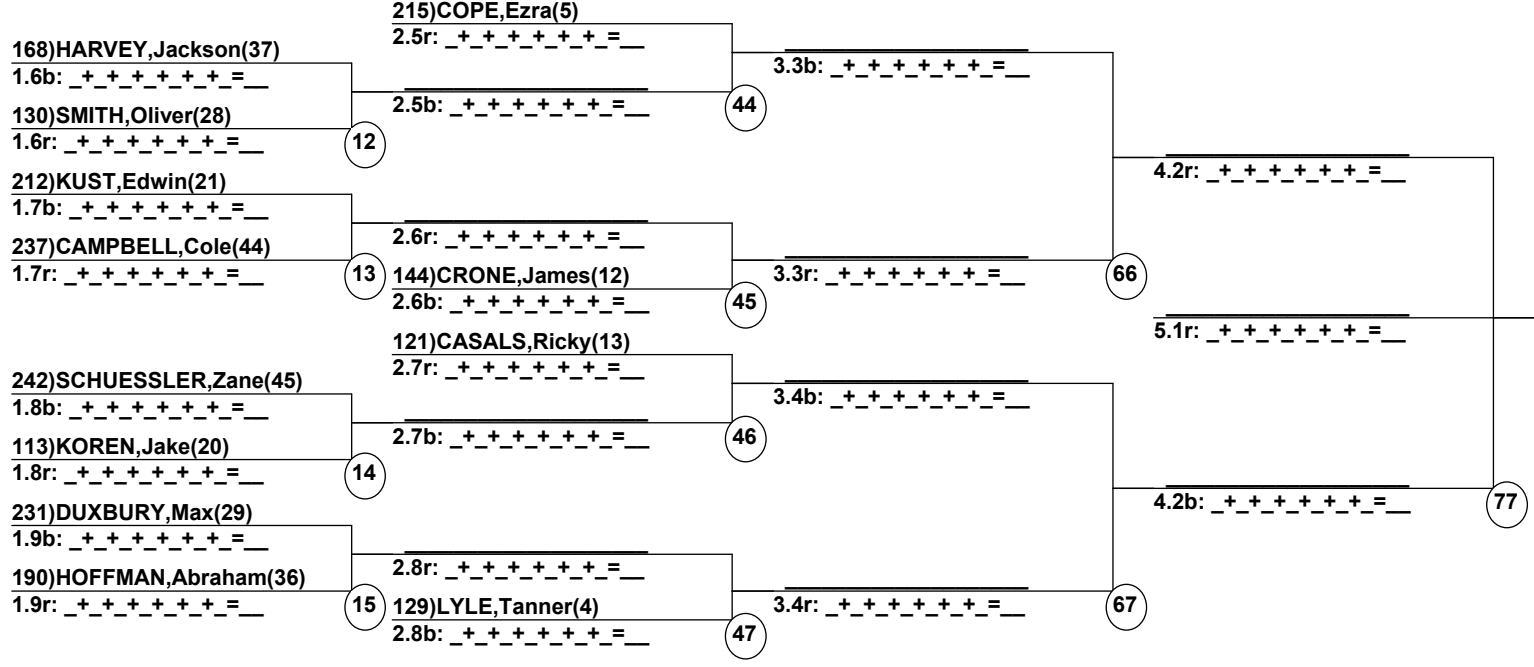
Female Road to Semi-Finals (5.2R)



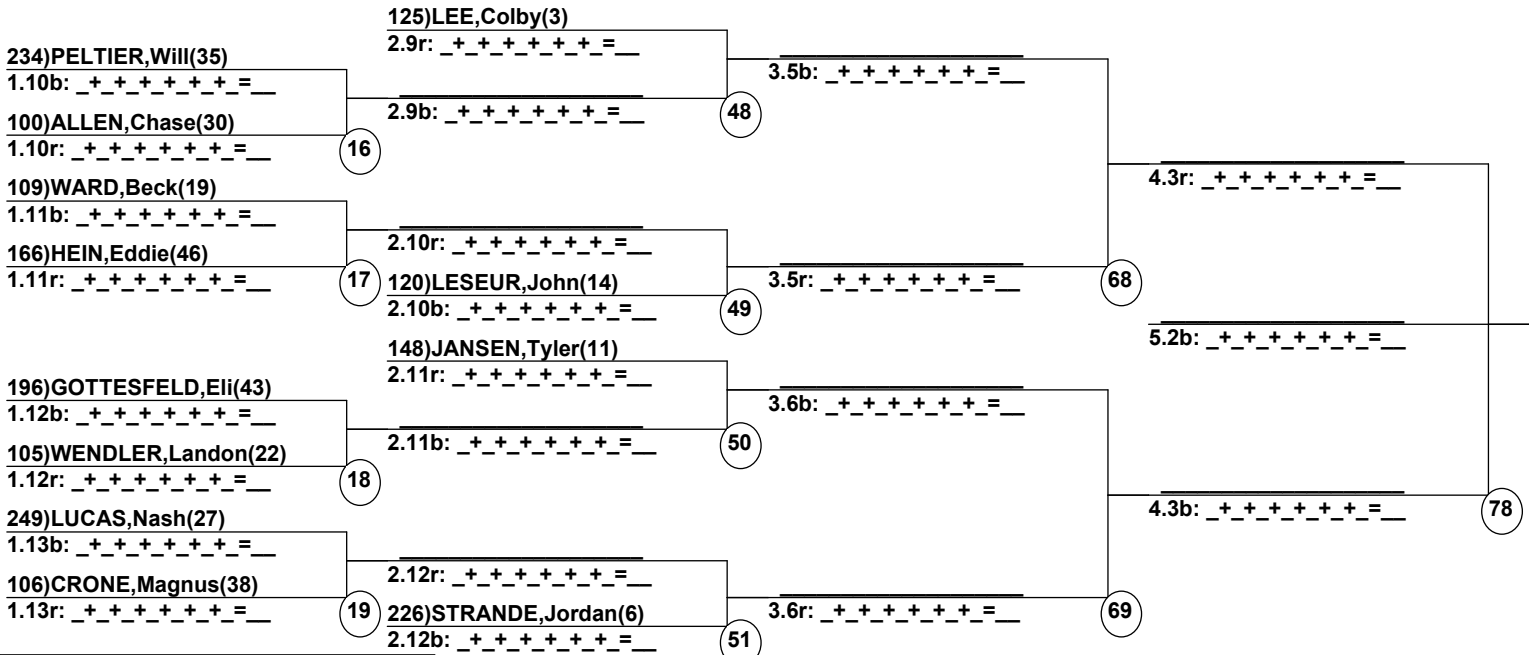
Male Road to Semi-Finals (5.1B)



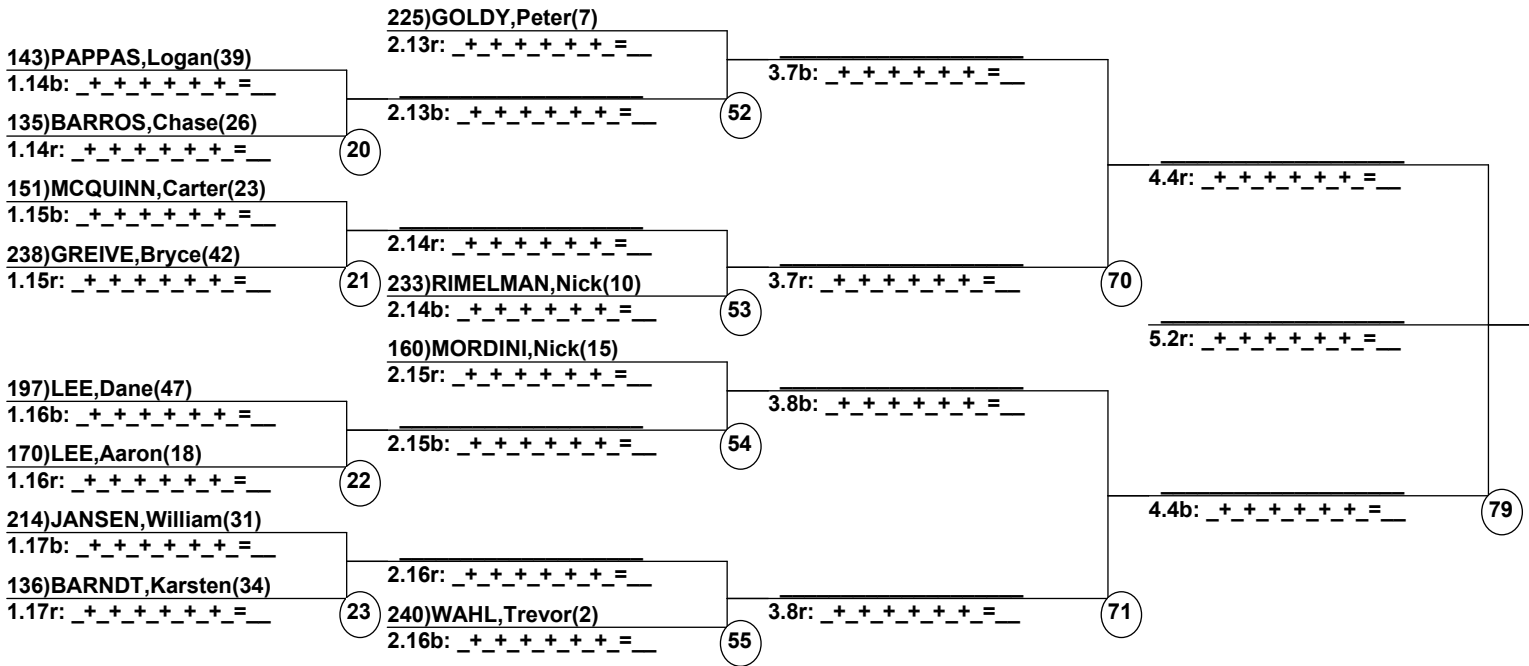
Male Road to Semi-Finals (5.1R)



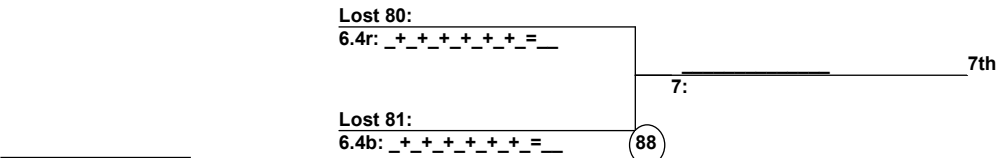
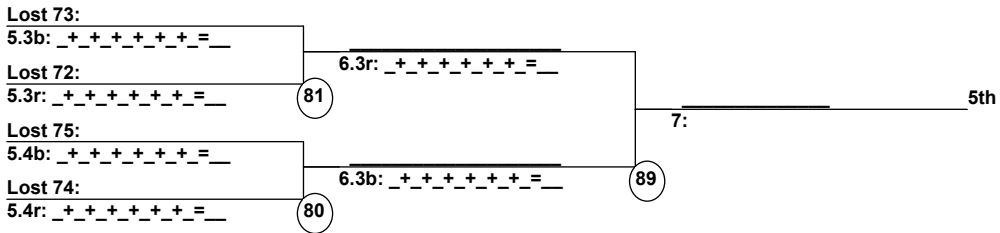
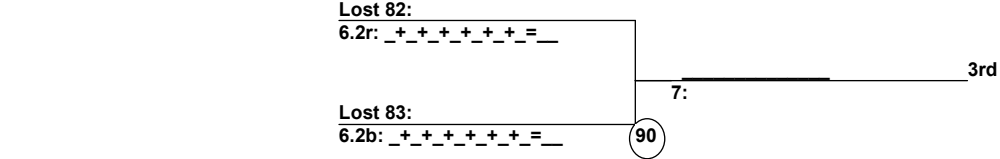
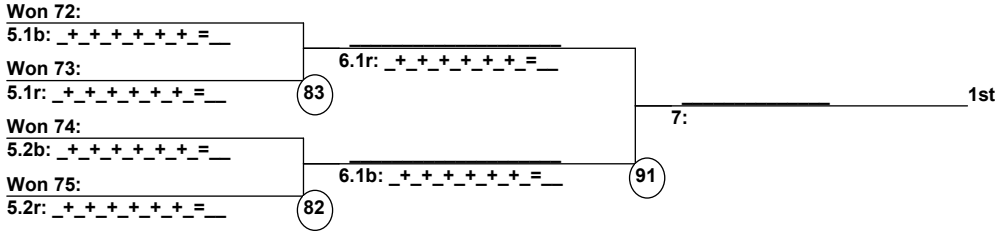
Male Road to Semi-Finals (5.2B)



Male Road to Semi-Finals (5.2R)



FemaleSemi-Finals



MaleSemi-Finals

