



# Aspen Valley Moguls

Aspen/Highlands  
Feb 2, 2020 (Sun) (U0806) (U0805)

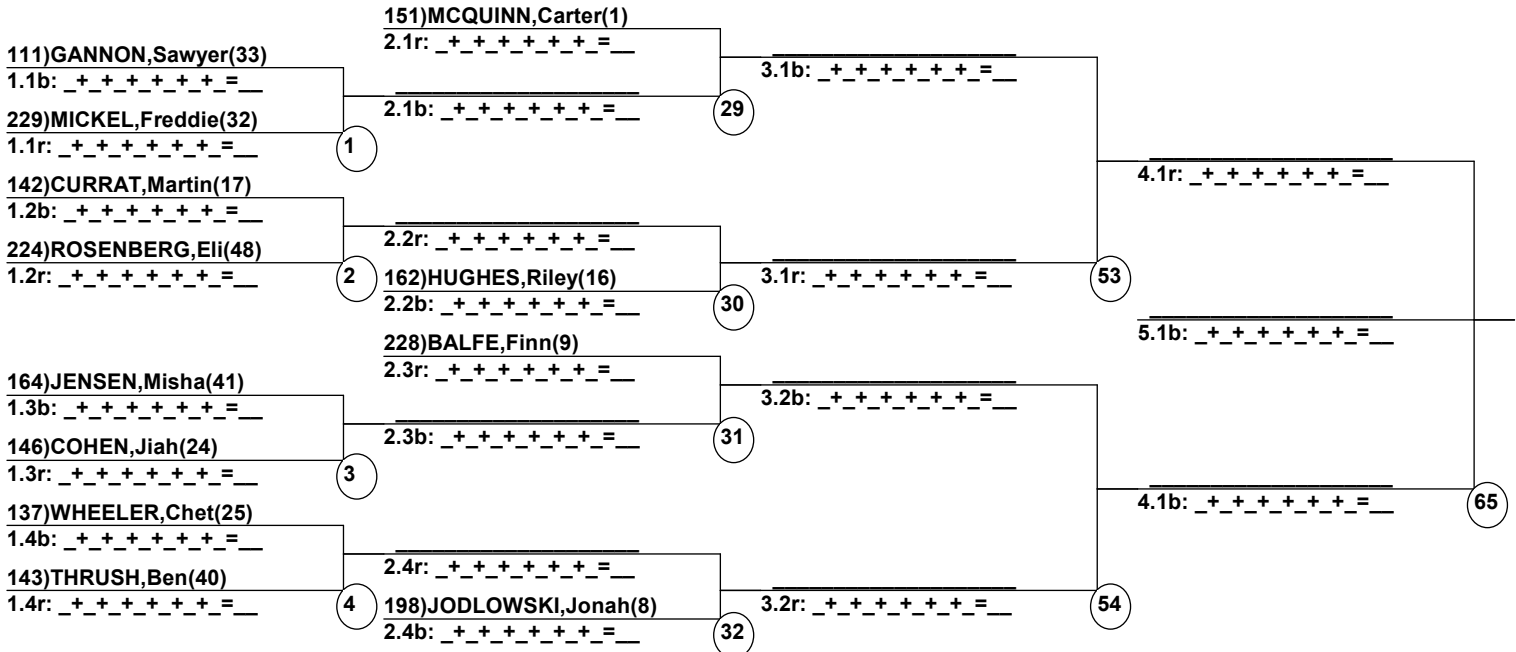


Head Judge: CARPENTER, Helena  
Chief of Comp: LUCAS, James  
T.D.: ELLIS, Christopher  
Chief of Scoring: PATNODE, Patricia

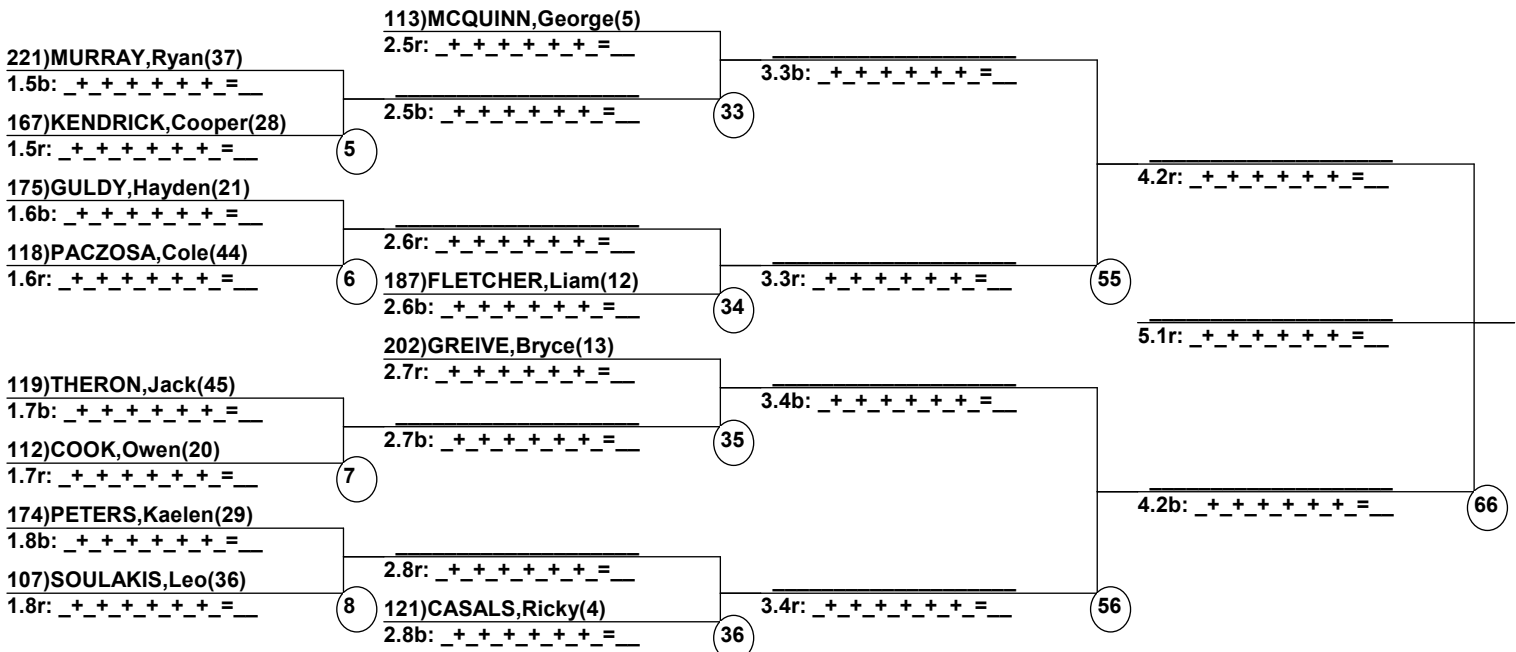
Course: Thunderbowl  
\_\_\_\_\_  
Head Judge  
\_\_\_\_\_  
Chief of Scoring  
\_\_\_\_\_  
T.D.

Duals1 Run 1      Entrants      Date: Feb 1, 2020 (Sat)  
Female/Male      (By Duals1 Run-order)      Time: 5:39 pm  
Aspen/Highlands      Aspen Valley Moguls

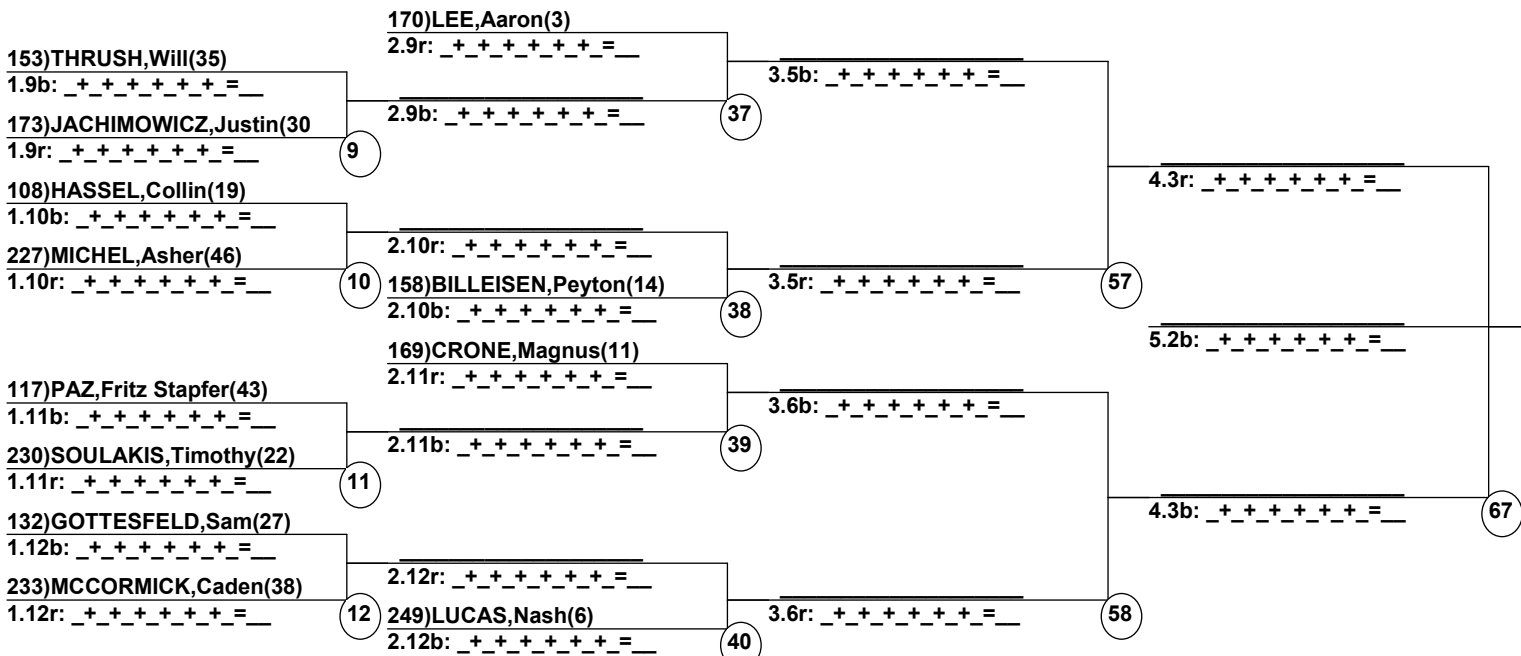
### Male Road to Semi-Finals (5.1B)



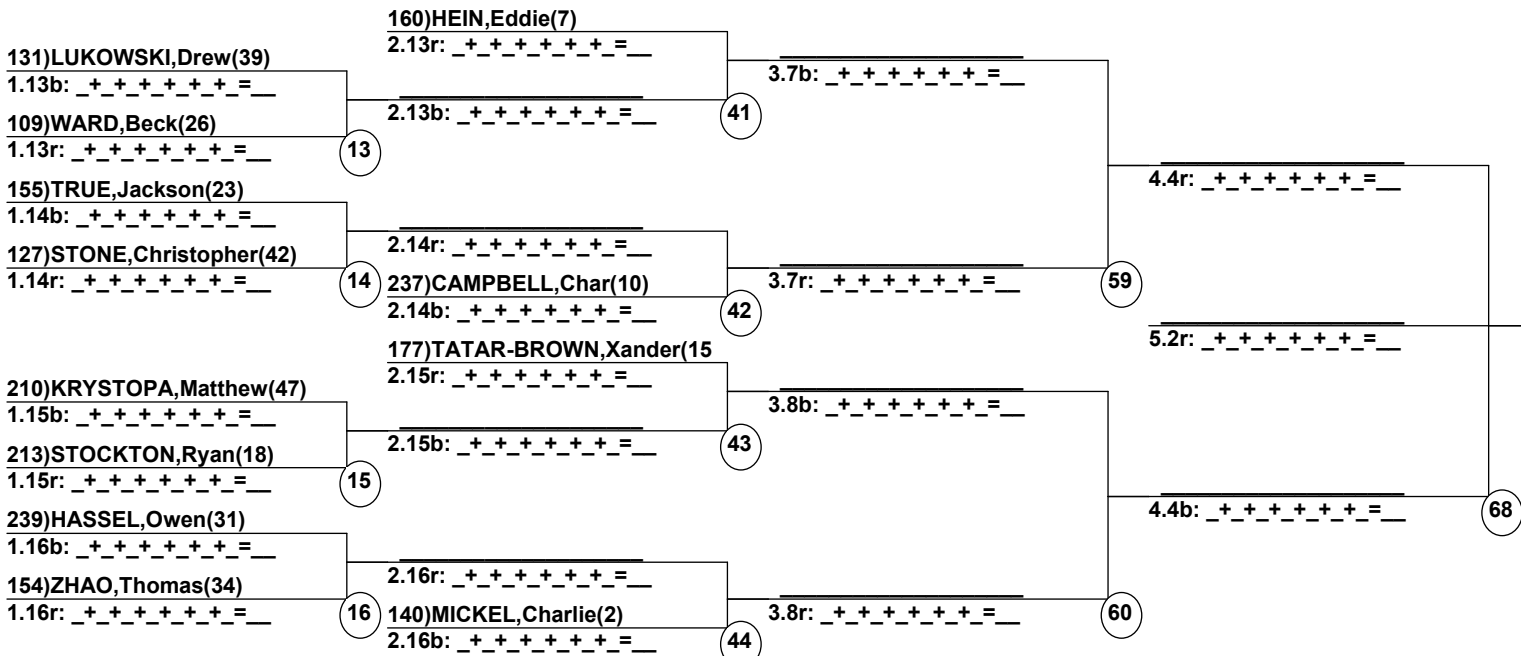
### Male Road to Semi-Finals (5.1R)



Male Road to Semi-Finals (5.2B)

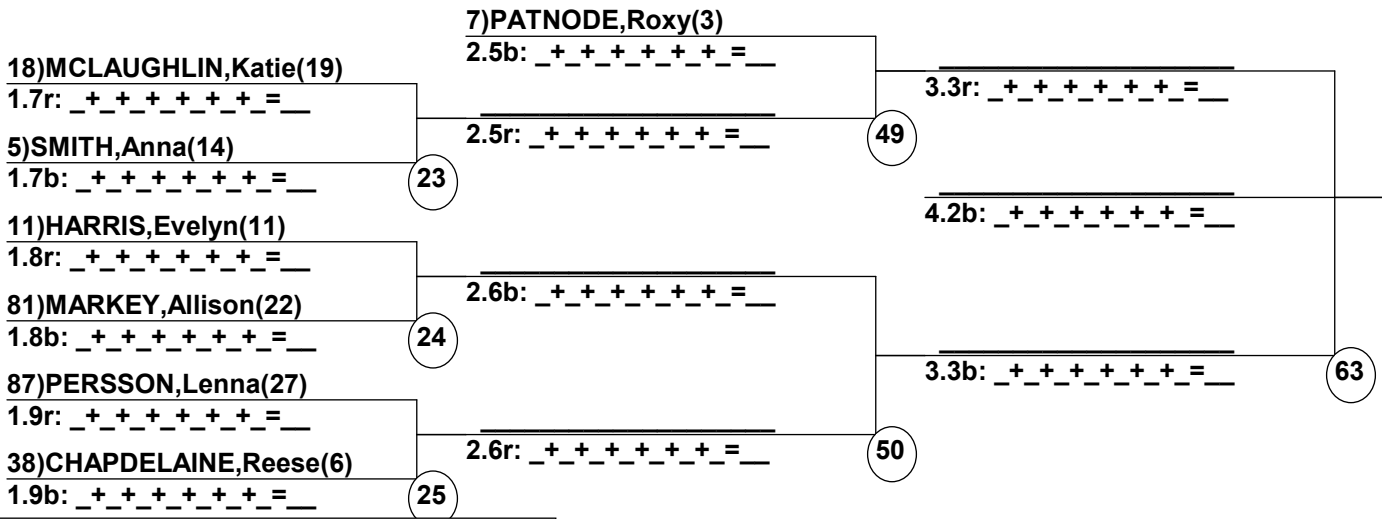


Male Road to Semi-Finals (5.2R)





Female Road to Semi-Finals (4.2B)



Female Road to Semi-Finals (4.2R)

