



Rocky Divisional Champs

Copper Mountain Resort
Mar 1, 2020 (Sun) (U0820) (U0819)



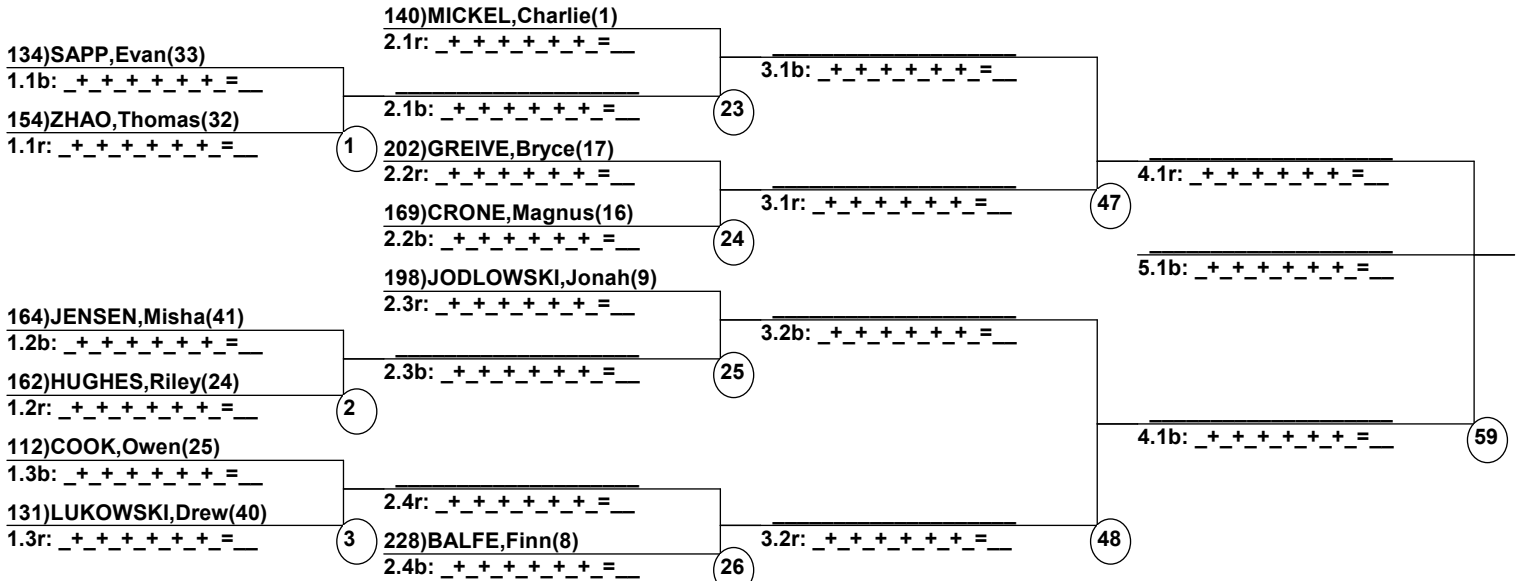
Head Judge: LANA, Lance
Chief of Comp: LUCAS, James
T.D.: LESEUR, Adam
Chief of Scoring: PATNODE, Patricia

Course: Ore Deal

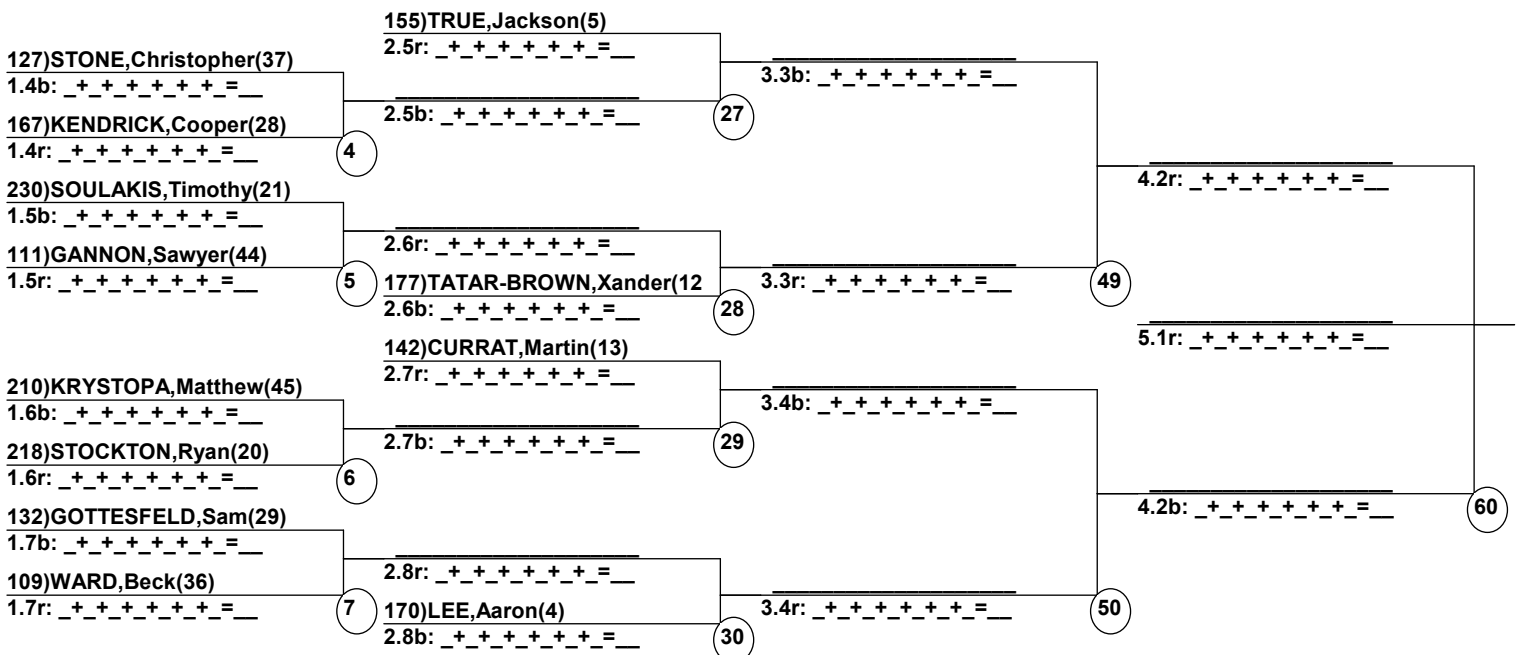
Head Judge
Chief of Scoring
T.D.

Duals1 Run 1 Entrants Date: Feb 29, 2020 (Sat)
Female/Male (By Duals1 Run-order) Time: 4:08 pm
Copper Mountain Reso Rocky Divisional Cha

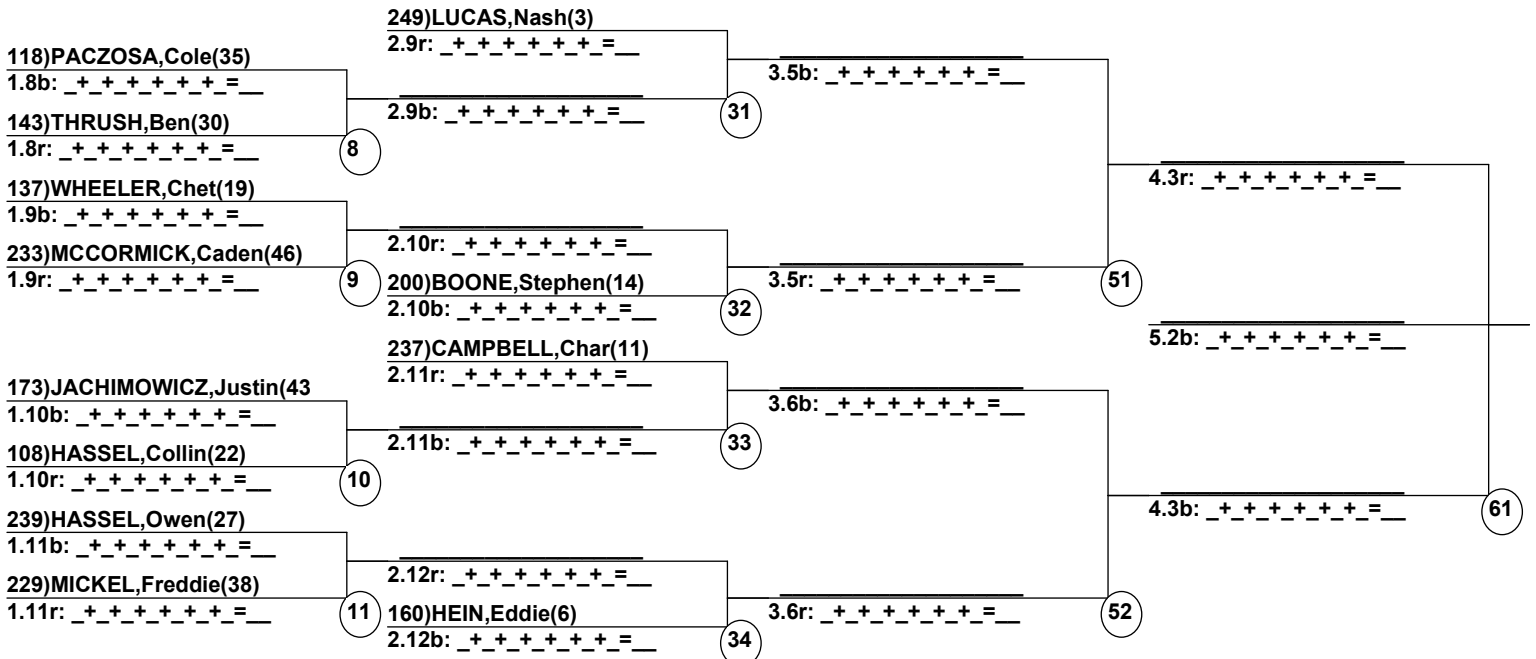
Male Road to Semi-Finals (5.1B)



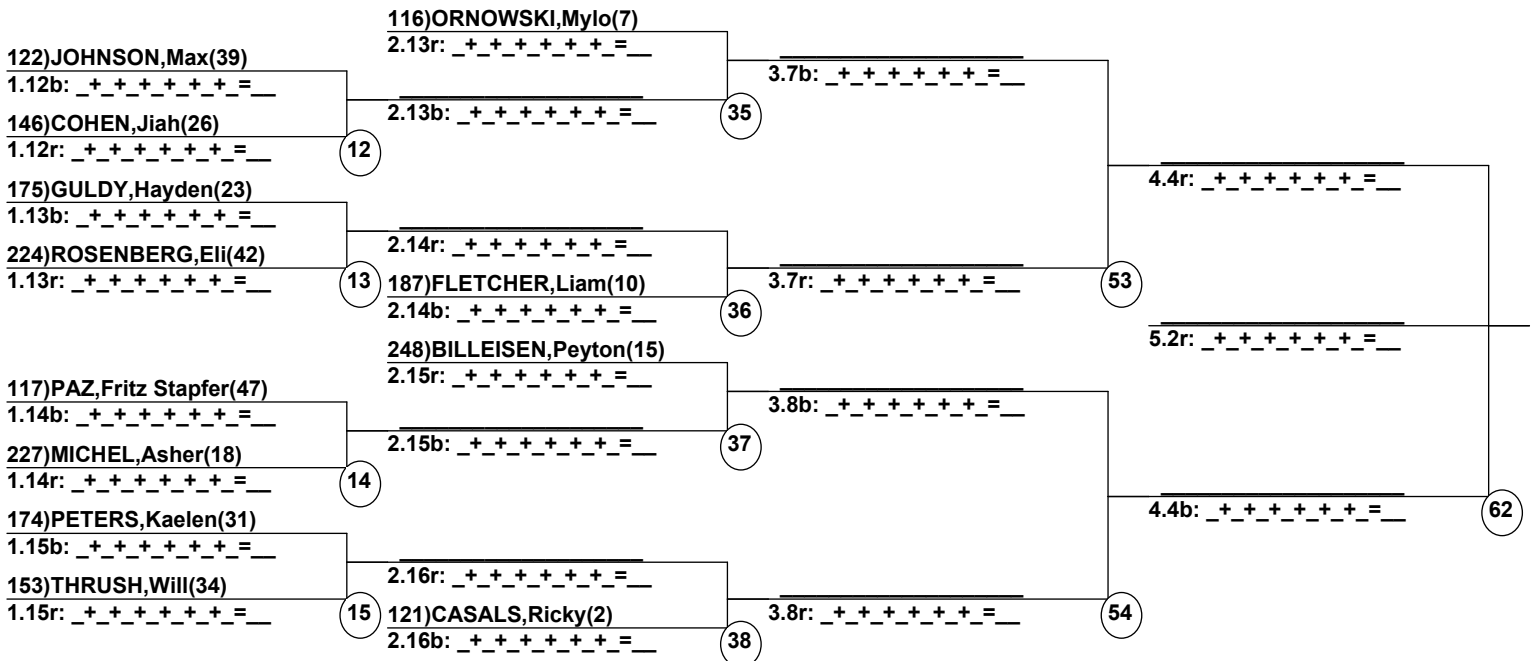
Male Road to Semi-Finals (5.1R)



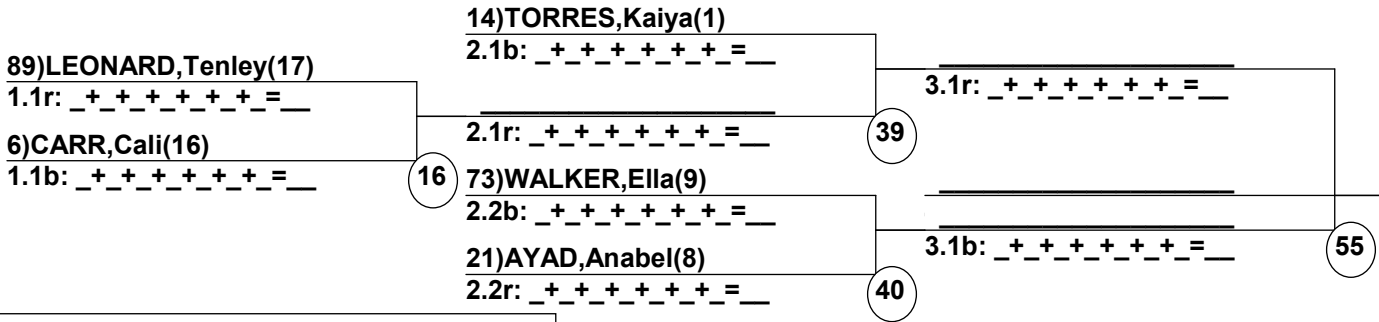
Male Road to Semi-Finals (5.2B)



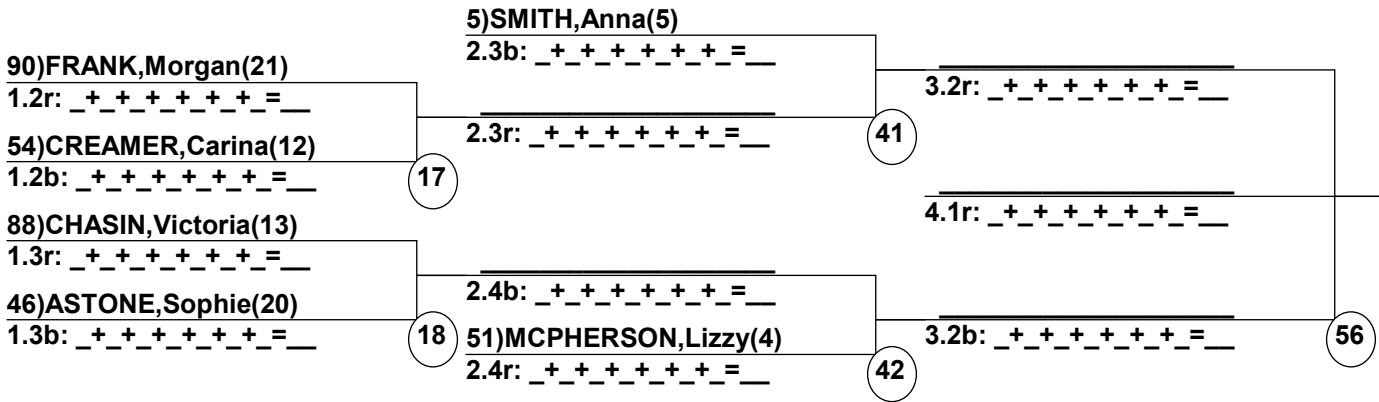
Male Road to Semi-Finals (5.2R)



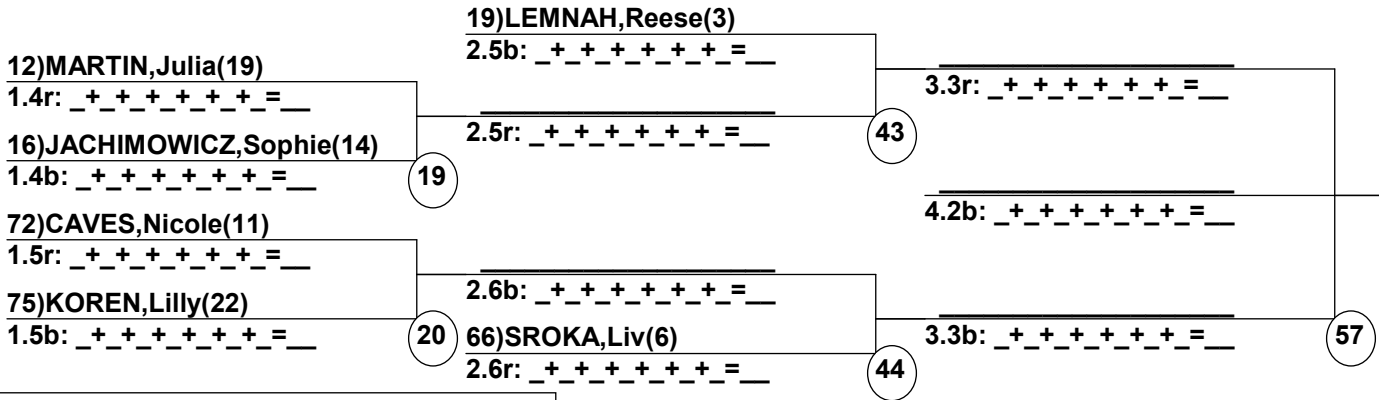
Female Road to Semi-Finals (4.1B)



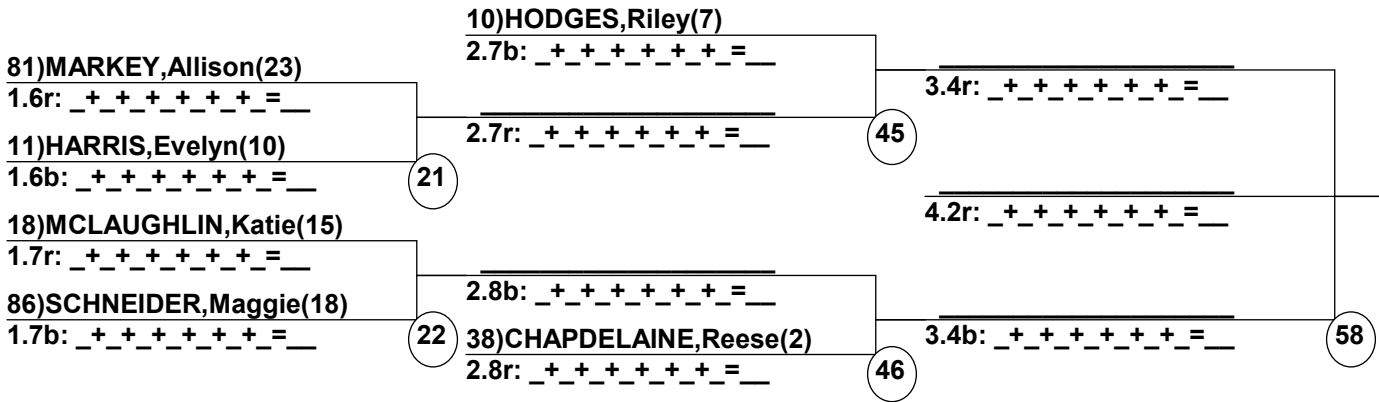
Female Road to Semi-Finals (4.1R)



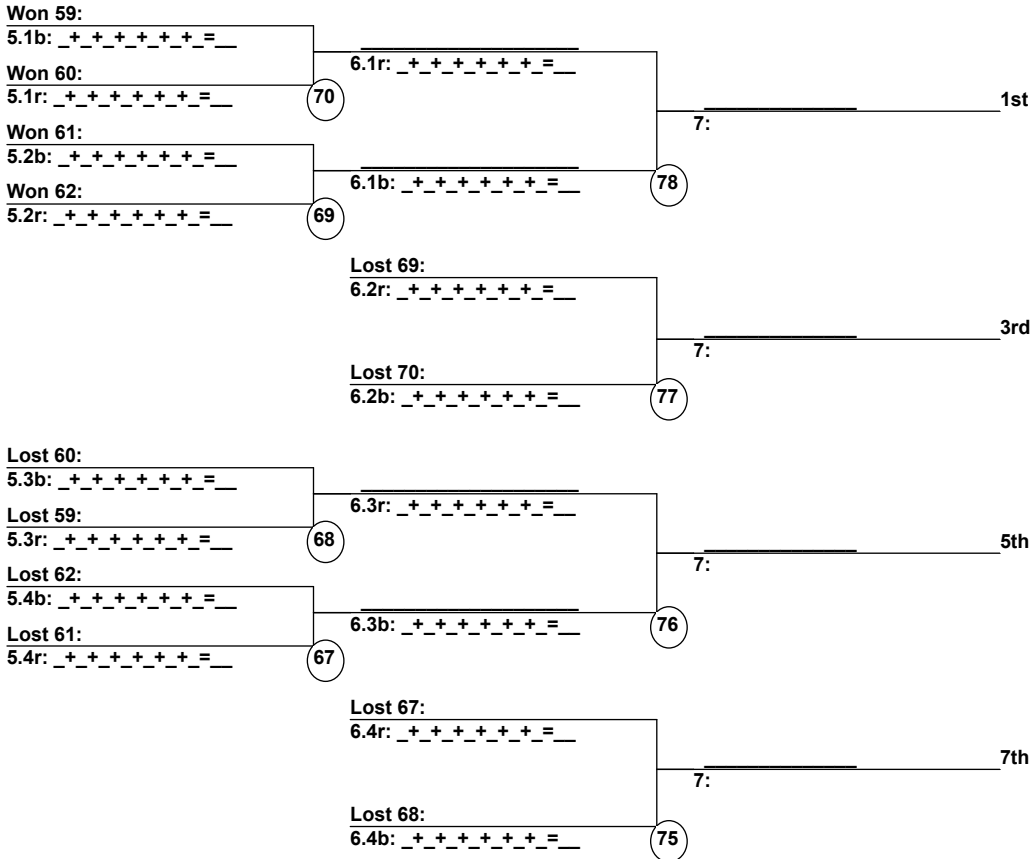
Female Road to Semi-Finals (4.2B)



Female Road to Semi-Finals (4.2R)



MaleSemi-Finals



FemaleSemi-Finals

