



Vail Valley Moguls
 Vail Resort
 Jan 26, 2020 (Sun) (U802) (U0801)



Official Results

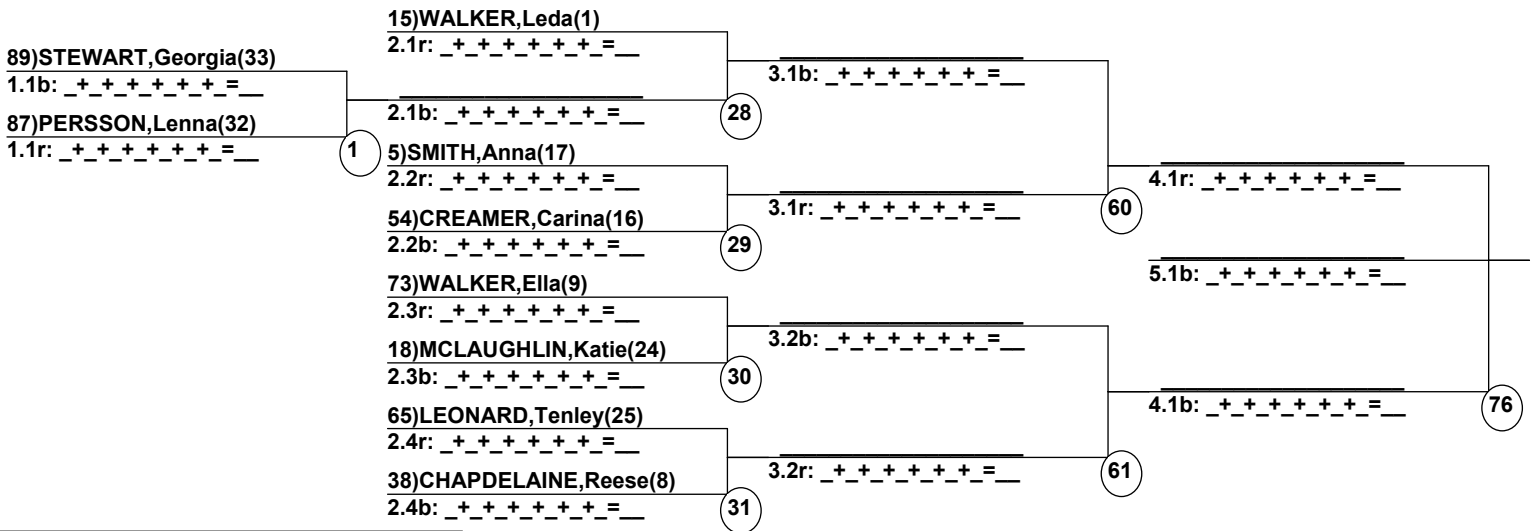
Head Judge: FOROGLOU BELLEVILLE,Alexandra
 Chief of Comp: LUCAS,James
 T.D.: JOHNSON,Thomas
 Chief of Scoring: CRONE,Della

Course: Cook Shack
 _____ Head Judge
 _____ Chief of Scoring
 _____ T.D.

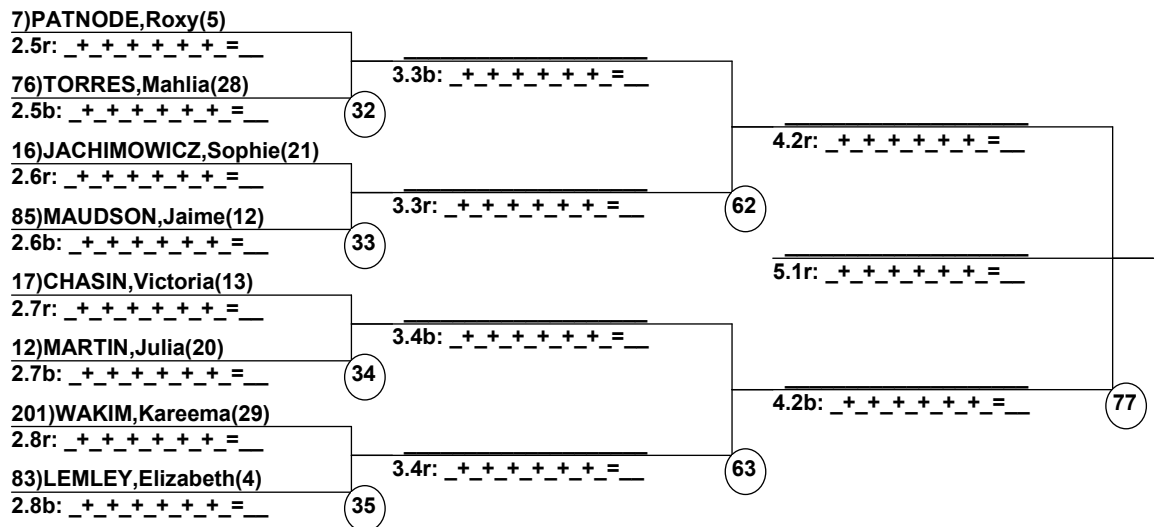
Official Results

 Duals1 Run 1 Entrants Date: Jan 25, 2020 (Sat)
 Female/Male (By Duals1 Run-order) Time: 8:02 pm
 Vail Resort Vail Valley Moguls

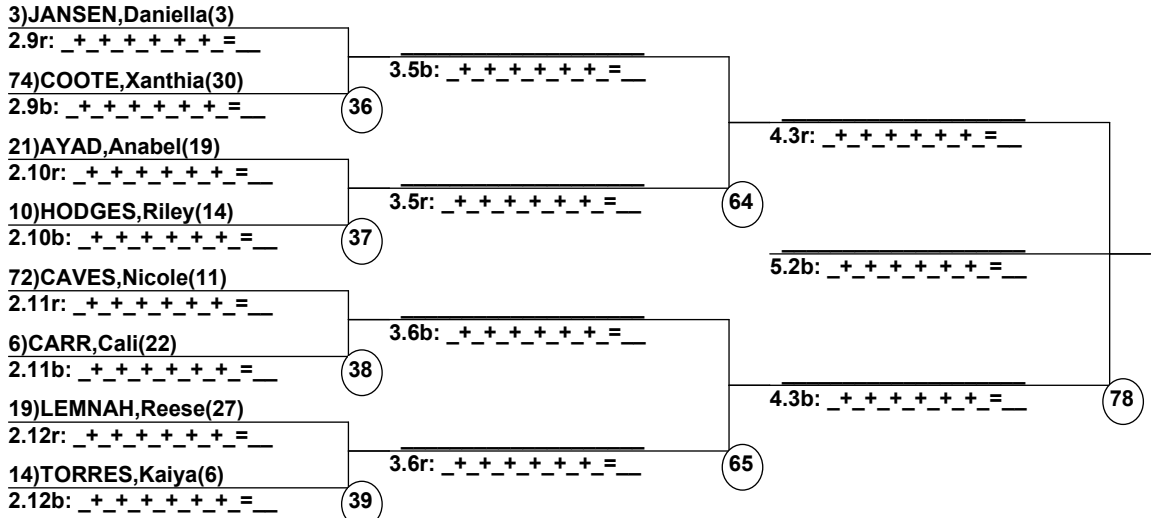
Female Road to Semi-Finals (5.1B)



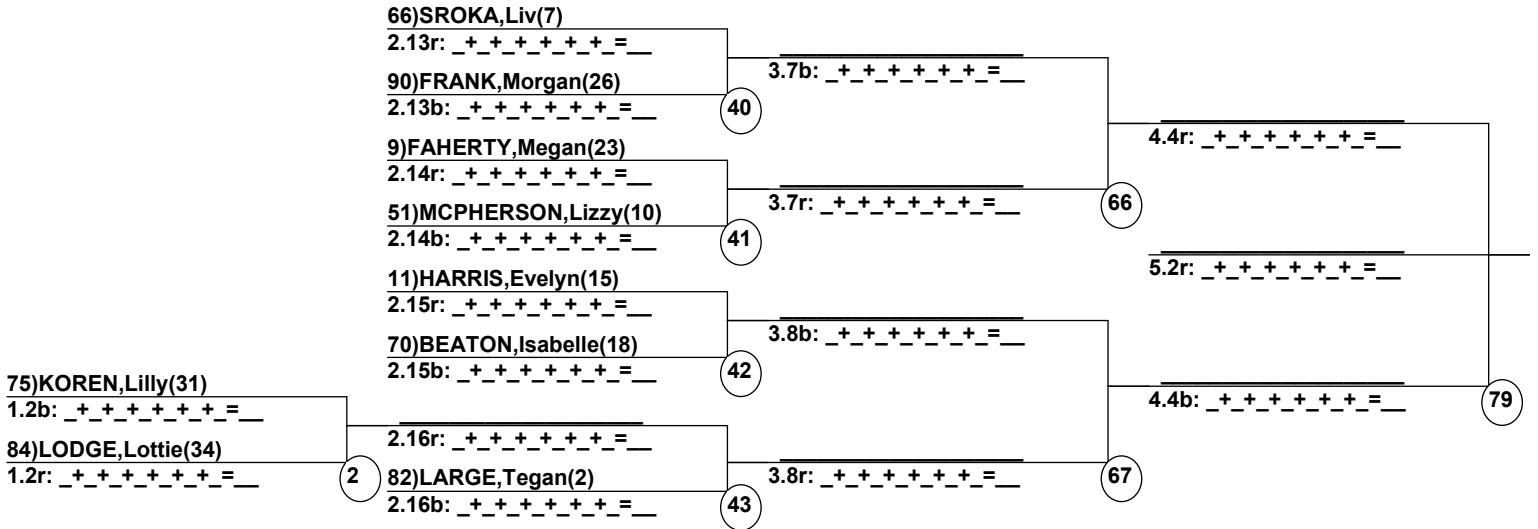
Female Road to Semi-Finals (5.1R)



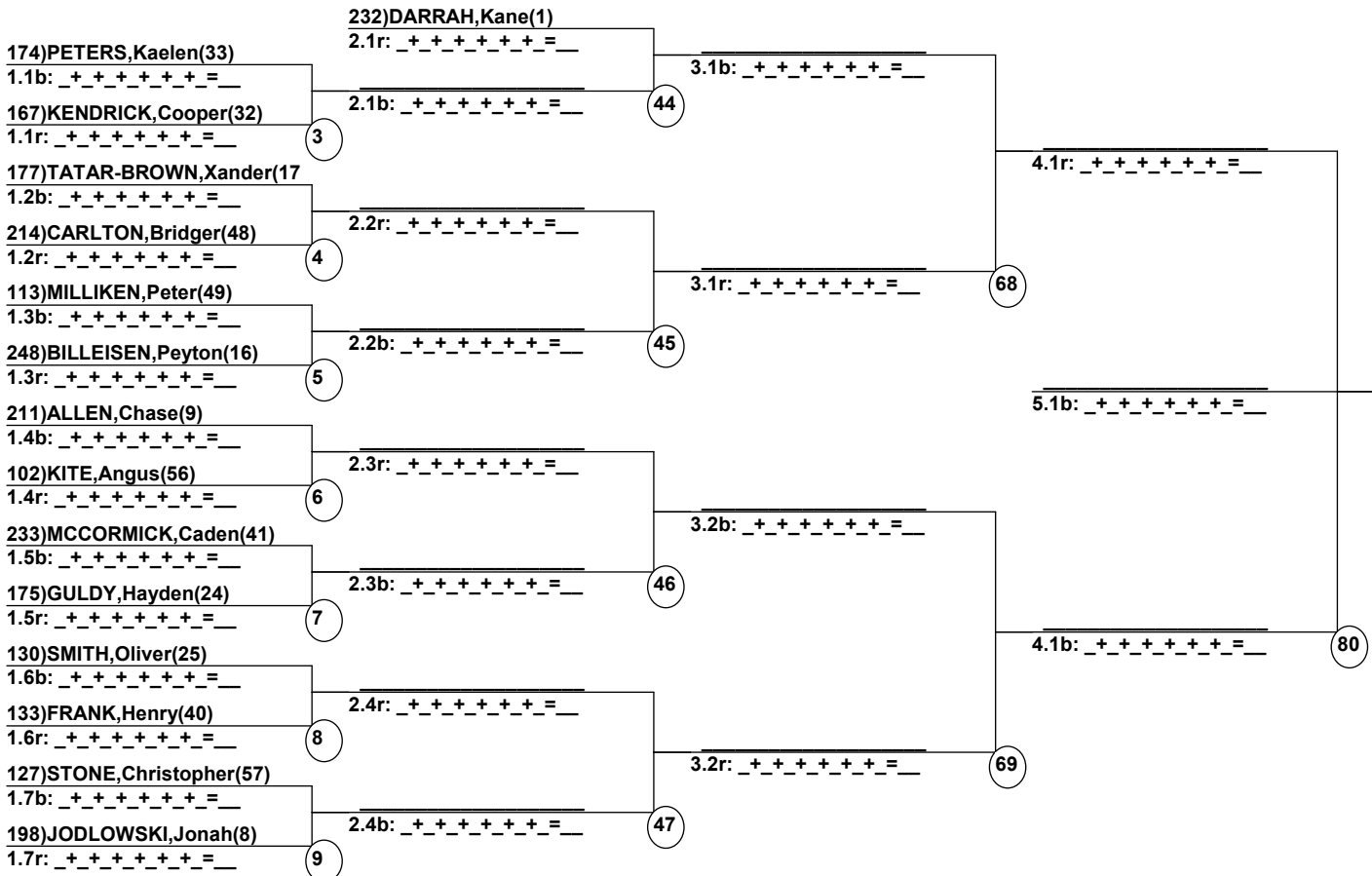
Female Road to Semi-Finals (5.2B)



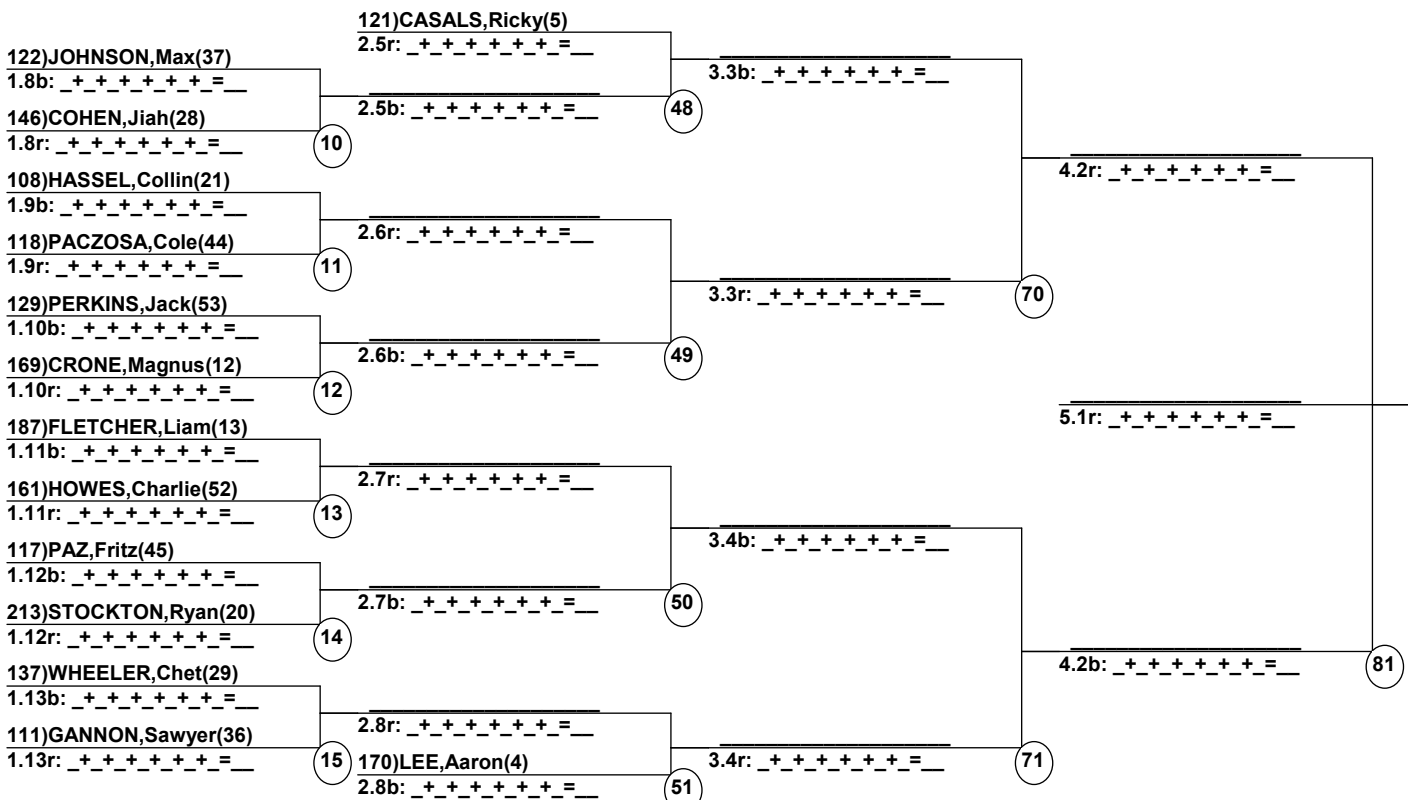
Female Road to Semi-Finals (5.2R)



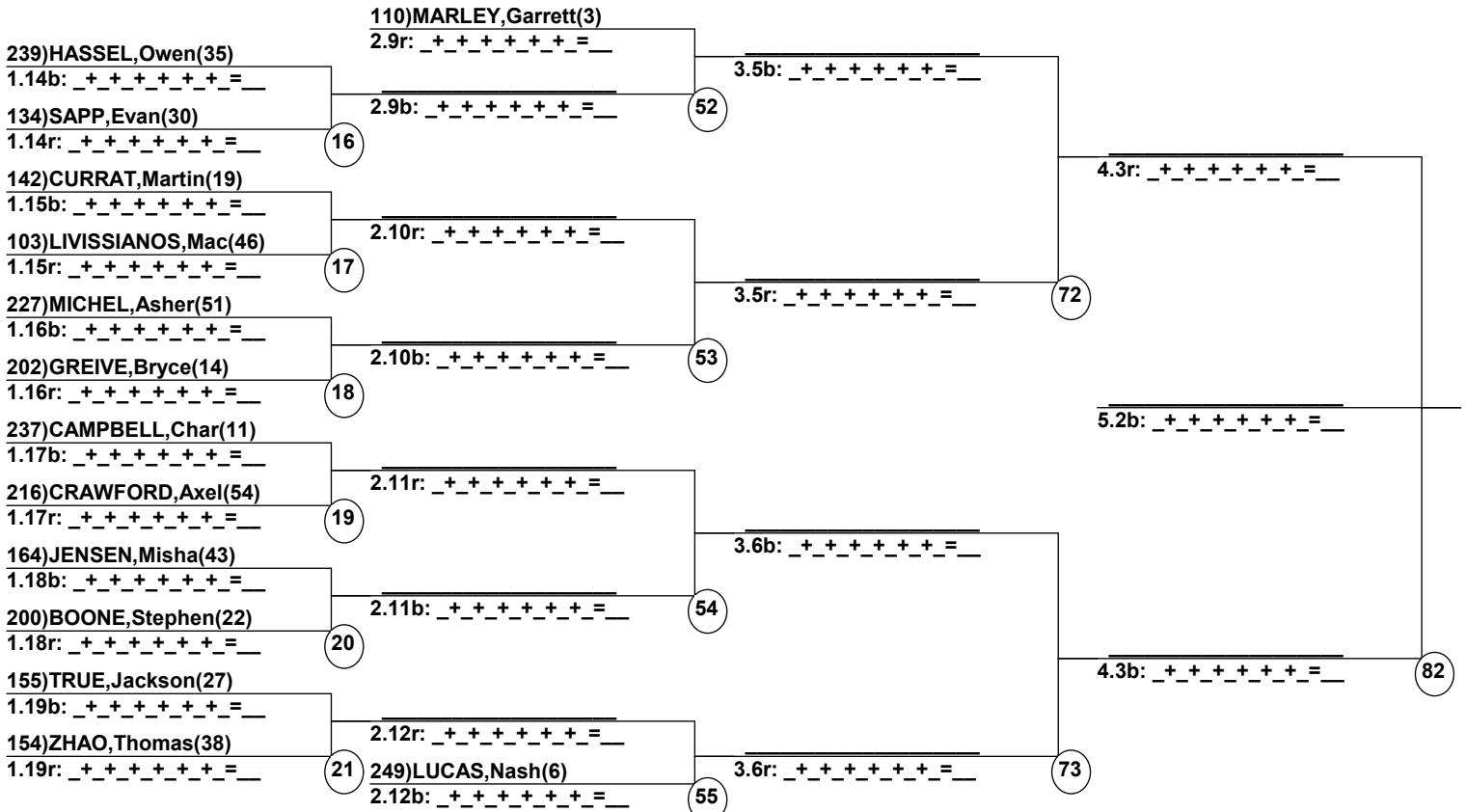
Male Road to Semi-Finals (5.1B)



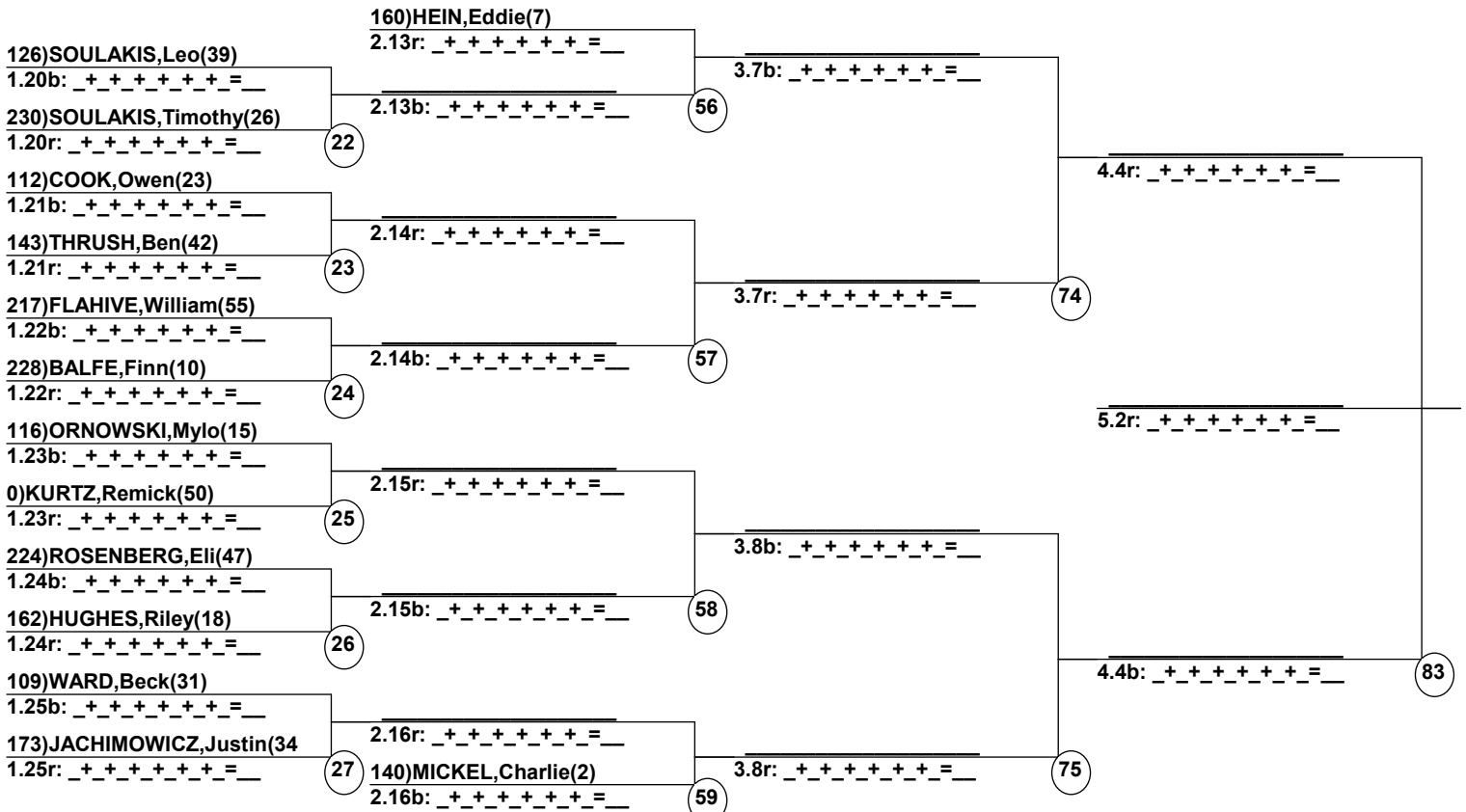
Male Road to Semi-Finals (5.1R)



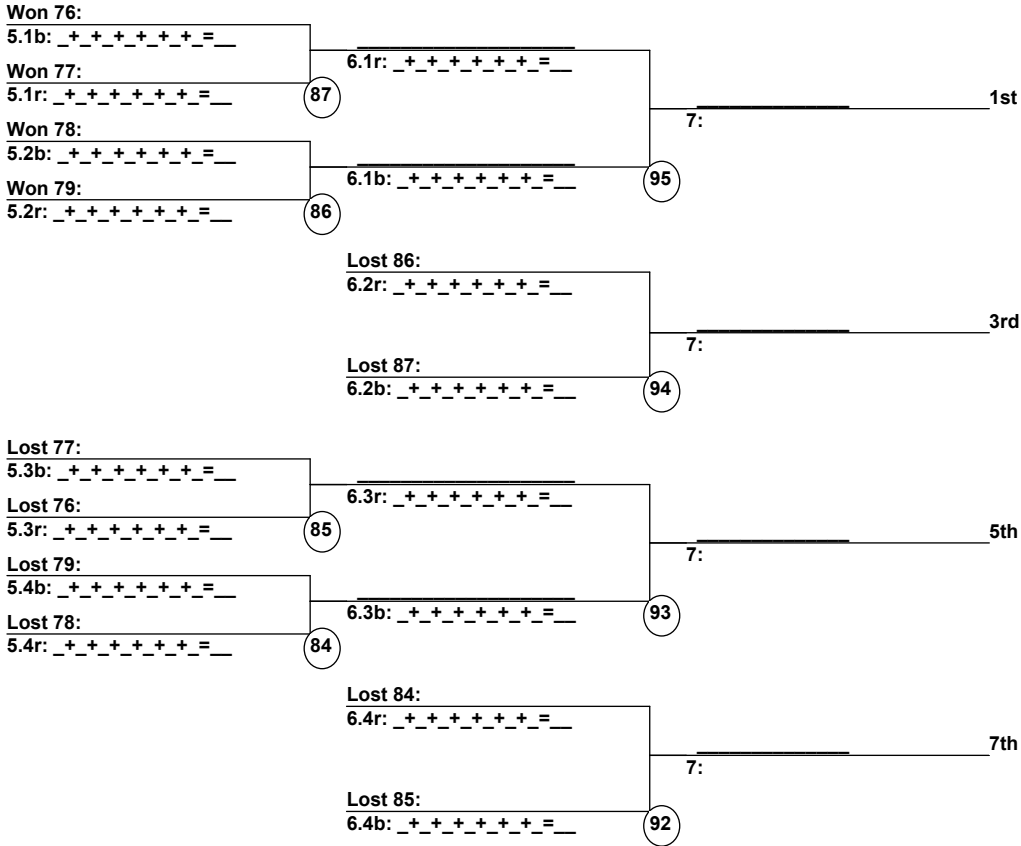
Male Road to Semi-Finals (5.2B)



Male Road to Semi-Finals (5.2R)



FemaleSemi-Finals



MaleSemi-Finals

