



Winter Park Season Opener

Winter Park Resort
Dec 15, 2019 (Sun) (U0798) (U0797)



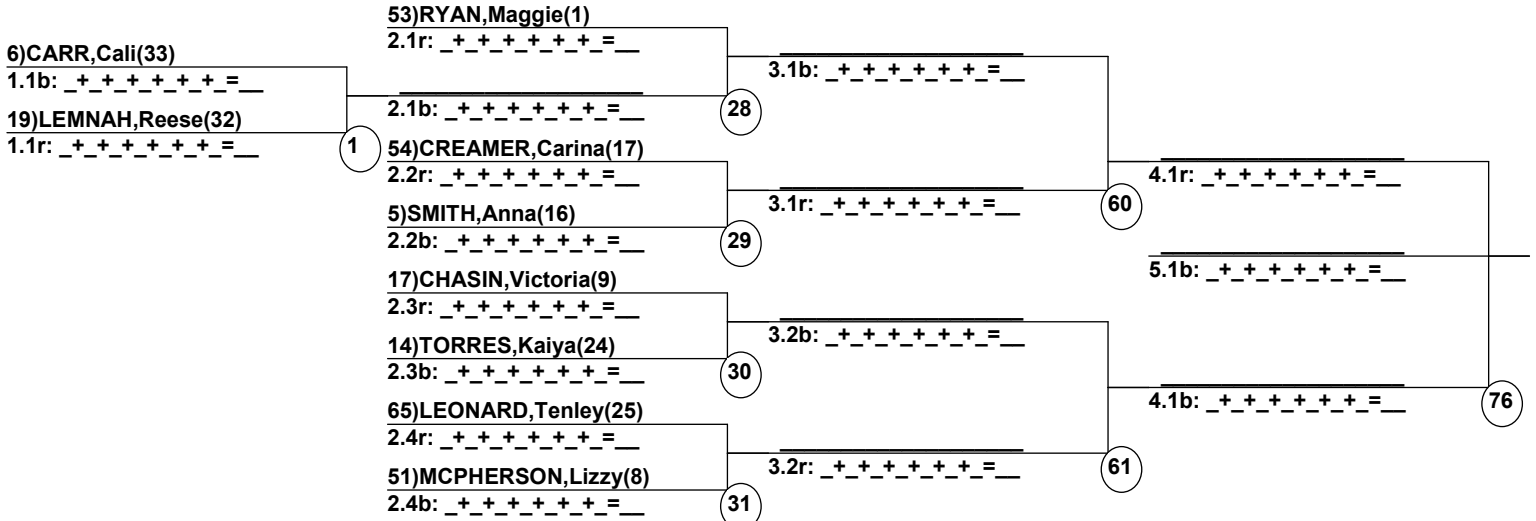
Head Judge: ELLIS, Christopher
Chief of Comp: ANDRINGA, Conrad
T.D.: MATTHEWS, Craig
Chief of Scoring: CRONE, Della

Course: Ambush

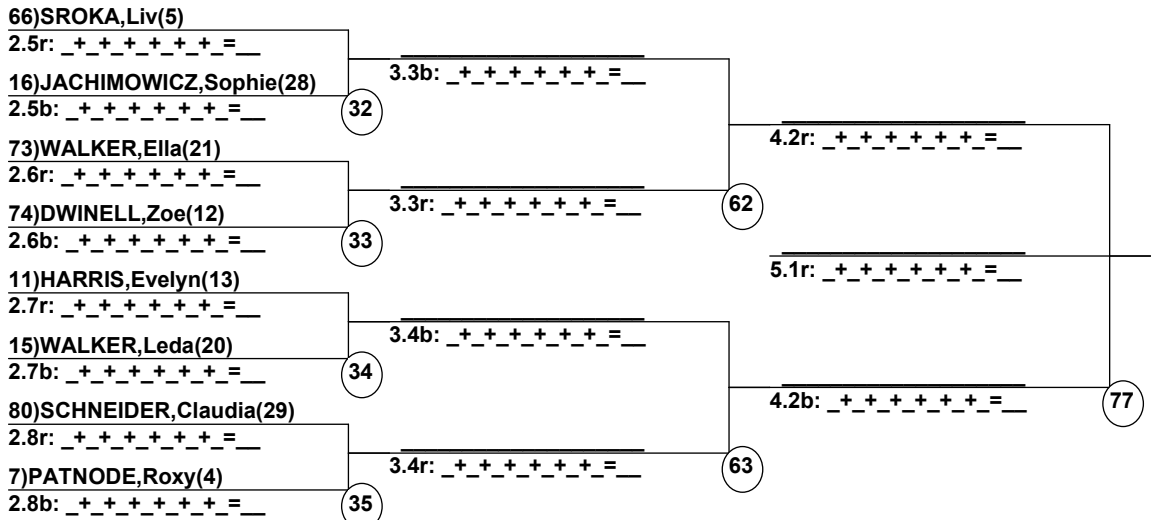
Head Judge
Chief of Scoring
T.D.

Duals1 Run 1 Entrants Date: Dec 14, 2019 (Sat)
Female/Male (By Duals1 Run-order) Time: 4:53 pm
Winter Park Resort Winter Park Season O

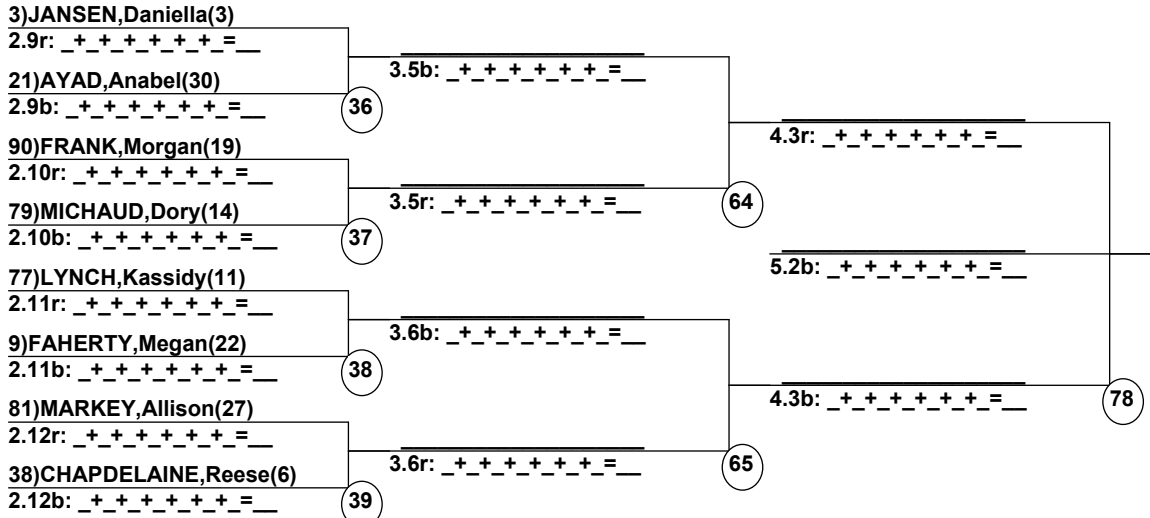
Female Road to Semi-Finals (5.1B)



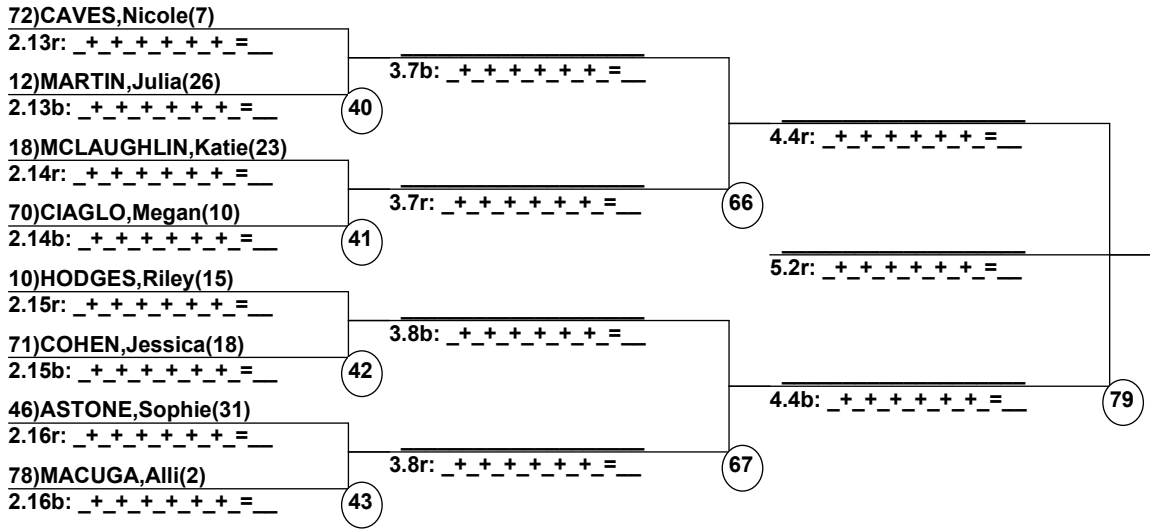
Female Road to Semi-Finals (5.1R)



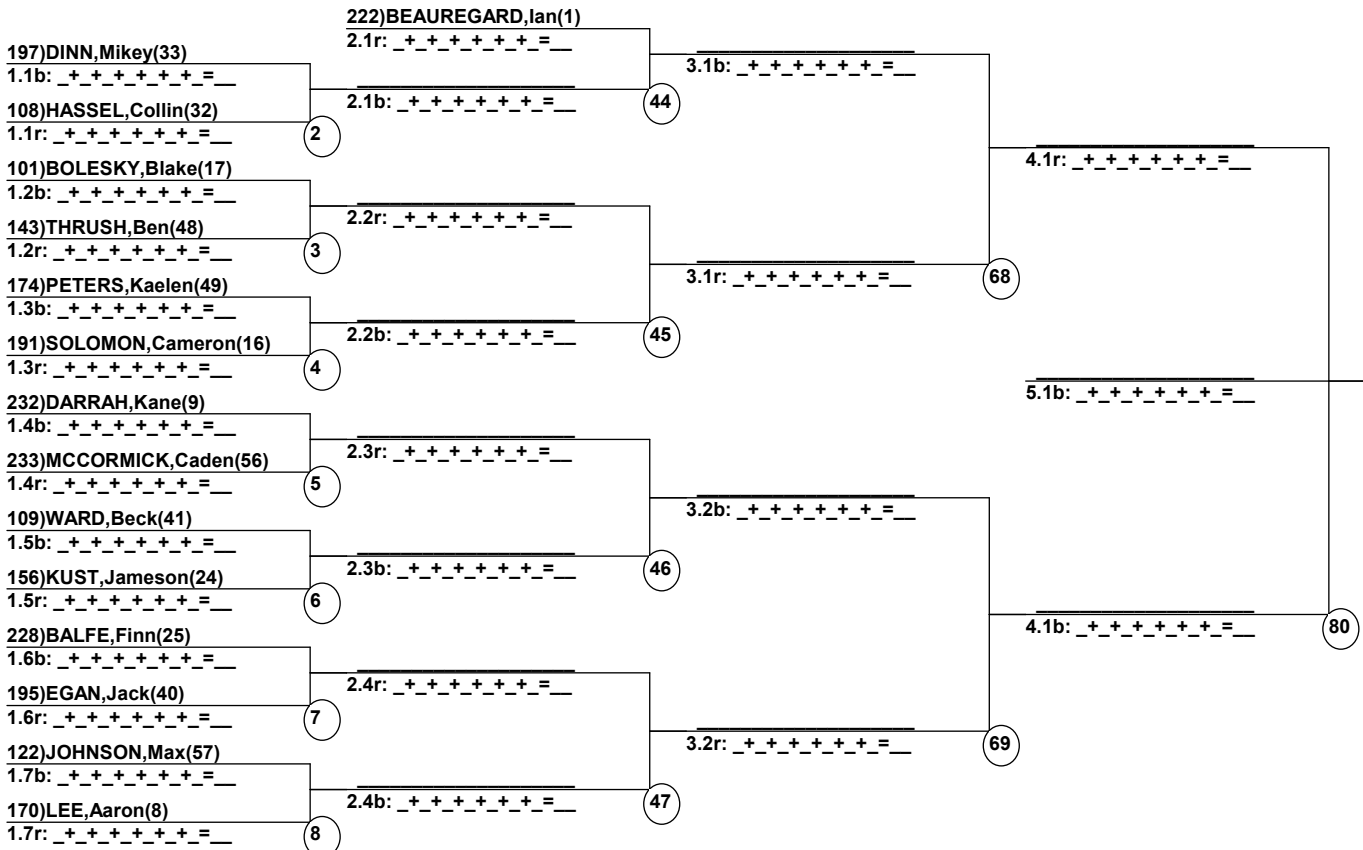
Female Road to Semi-Finals (5.2B)



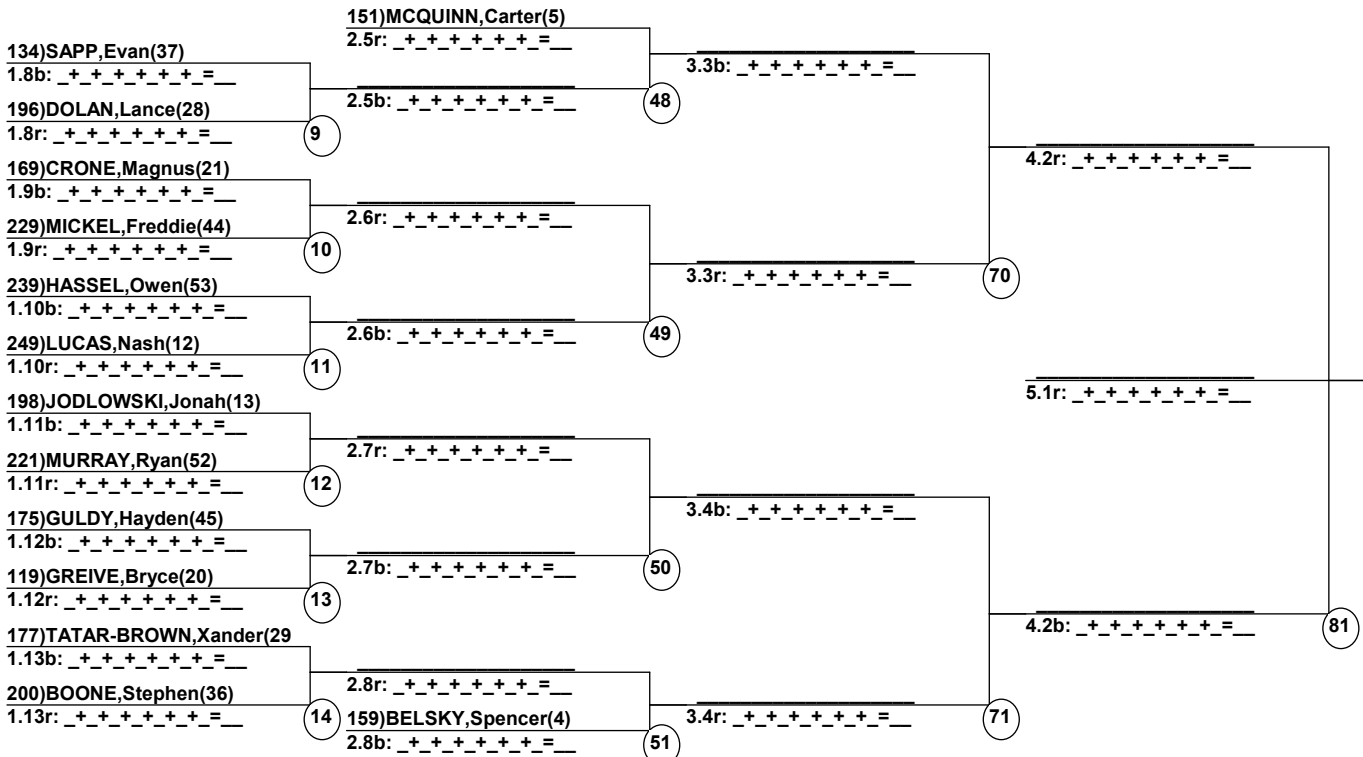
Female Road to Semi-Finals (5.2R)



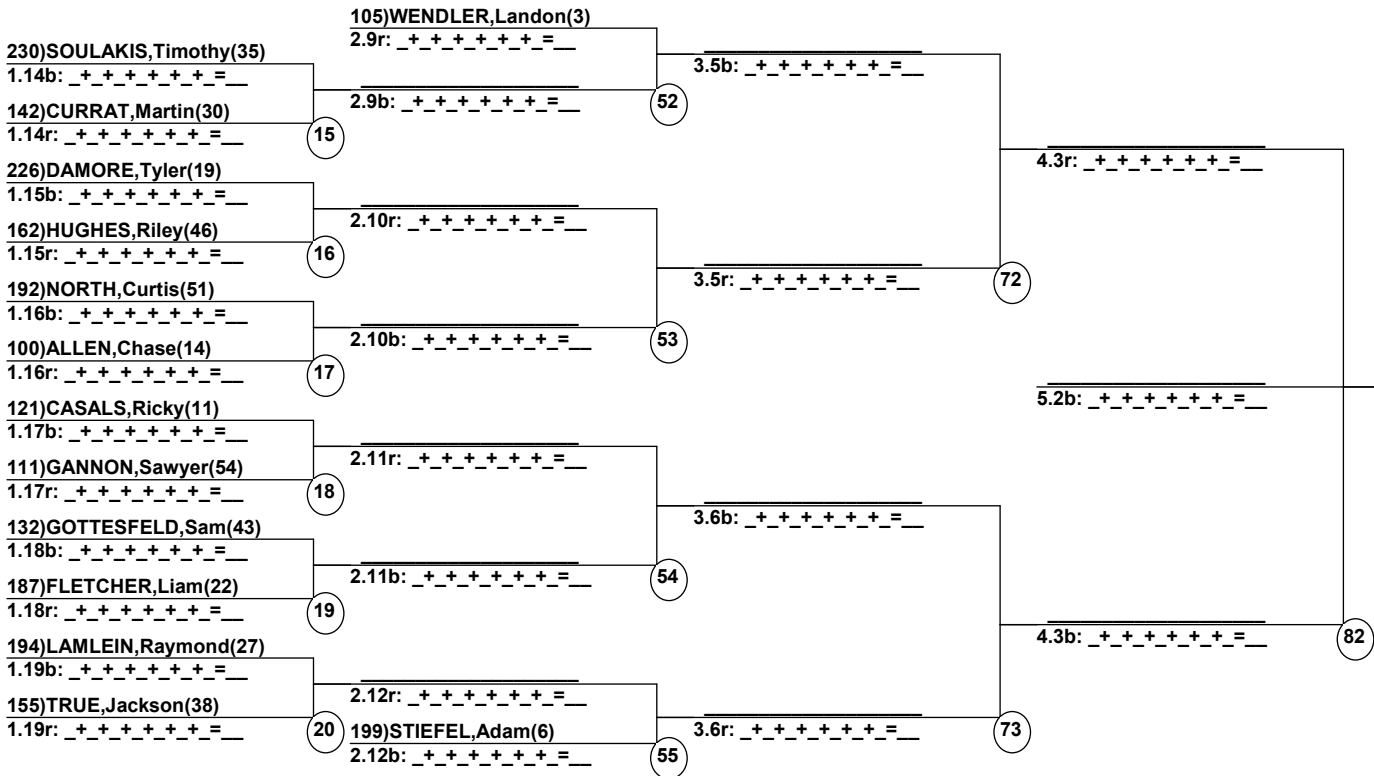
Male Road to Semi-Finals (5.1B)



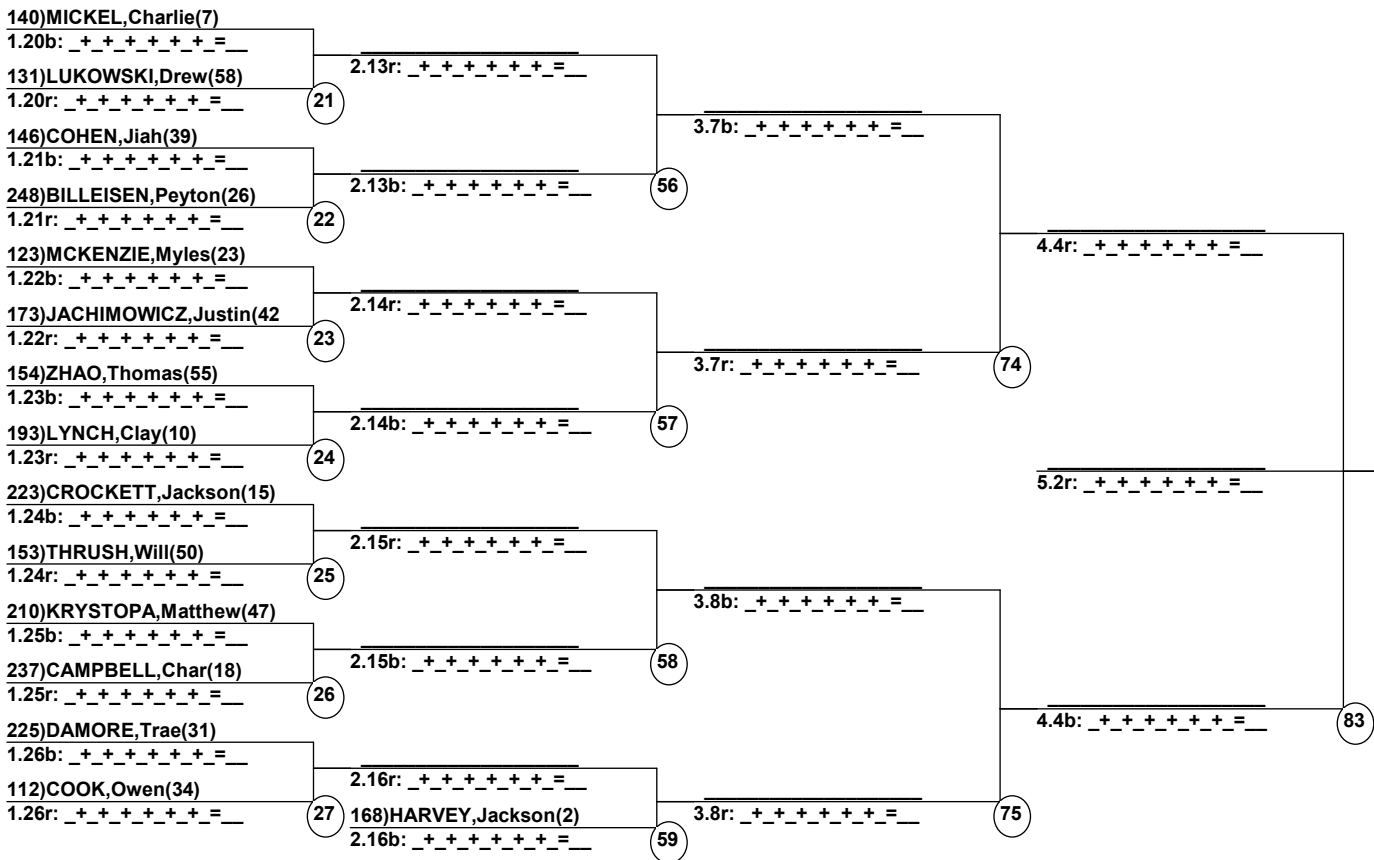
Male Road to Semi-Finals (5.1R)



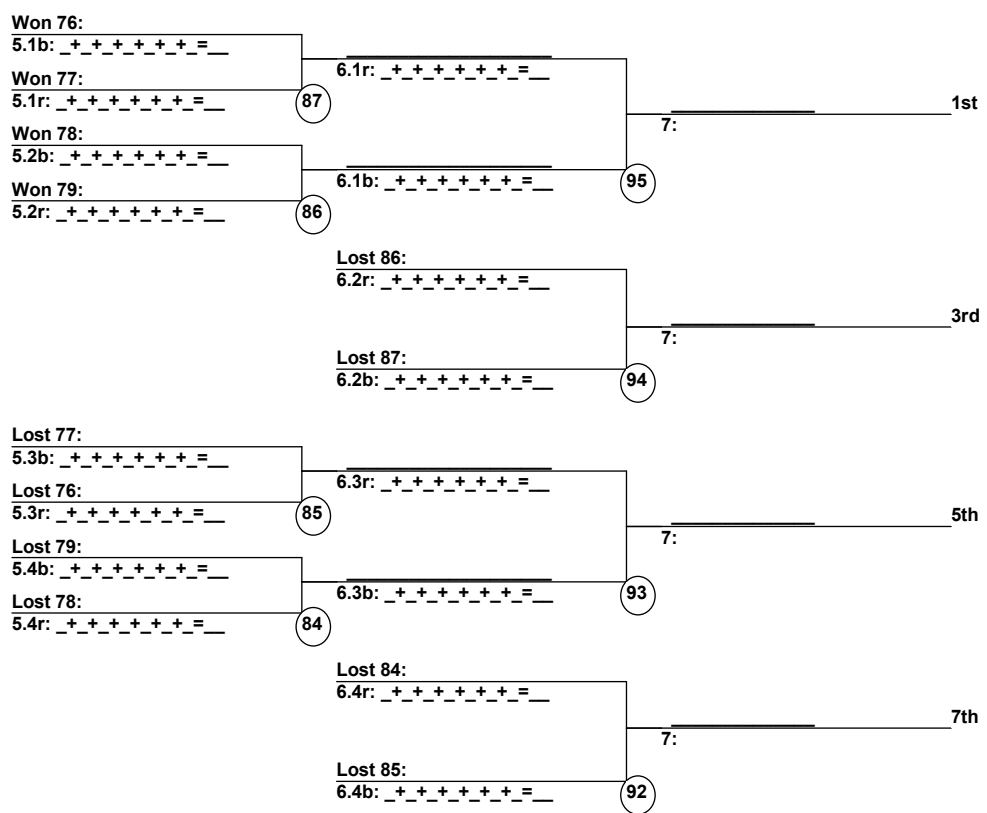
Male Road to Semi-Finals (5.2B)



Male Road to Semi-Finals (5.2R)



FemaleSemi-Finals



MaleSemi-Finals

