



Spring Cool Down
Copper Mountain Resort
Apr 15, 2021 (Thu) (U1314) (U1313)

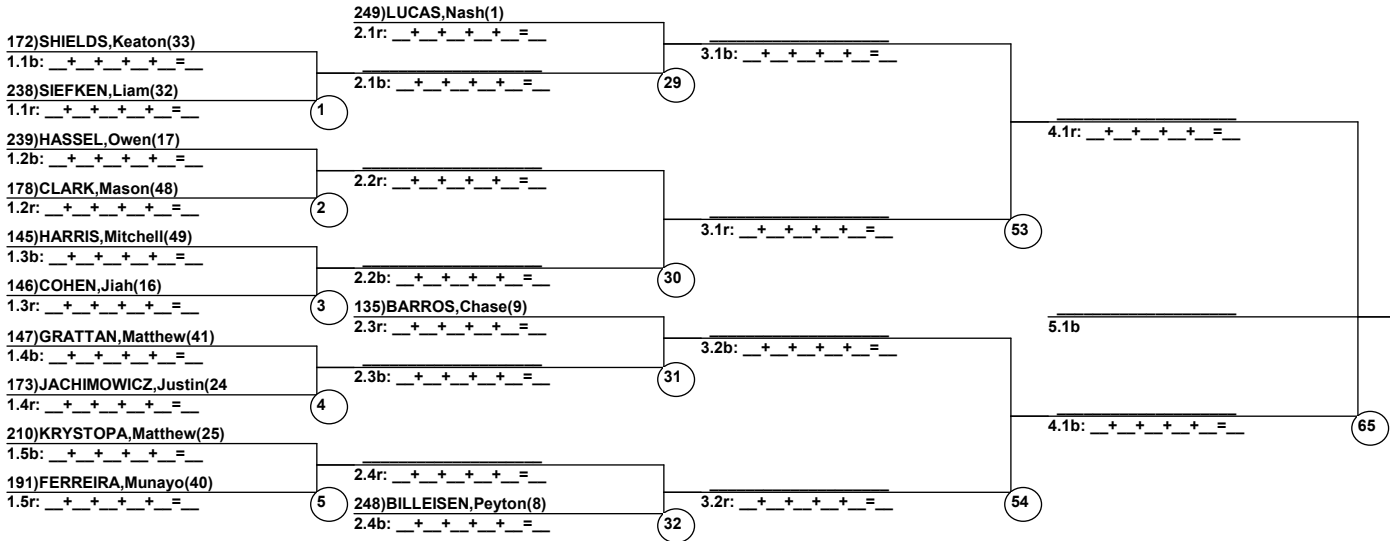


Head Judge: BUCHANAN, Stephen
Chief of Comp: HARRIS, Philip
T.D.: MATTHEWS, Craig
Chief of Scoring: PATNODE, Patricia
Judge 1: BUCHANAN, Stephen
Judge 2: MATTHEWS, Laila
Judge 3: ELLIS, Christopher
Judge 4: LANA, Wendy

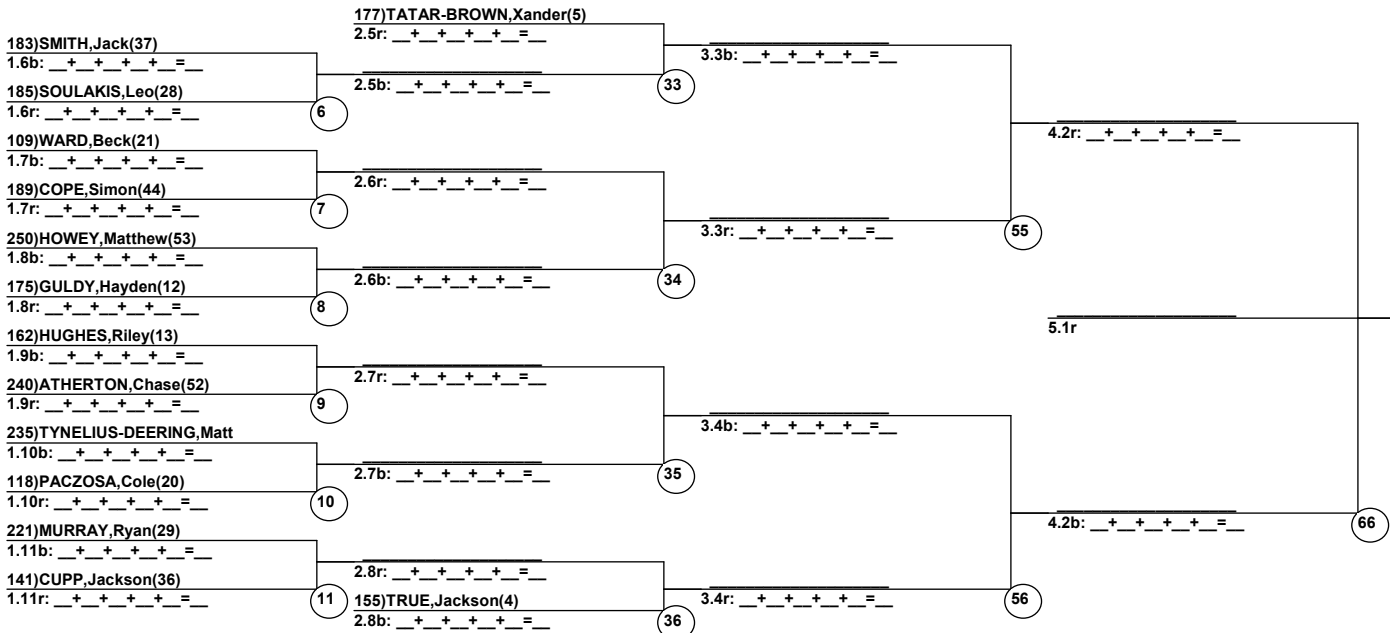
Course: Ore Deal
Length: 232 m
Width: 10 m
Pitch: 25 deg
____ Head Judge
____ Chief of Scoring
____ T.D.

Duals1 Run 1 Entrants Date: Apr 14, 2021 (Wed)
Female/Male (By Duals1 Run-order) Time: 5:36 pm
Copper Mountain Reso Spring Cool Down

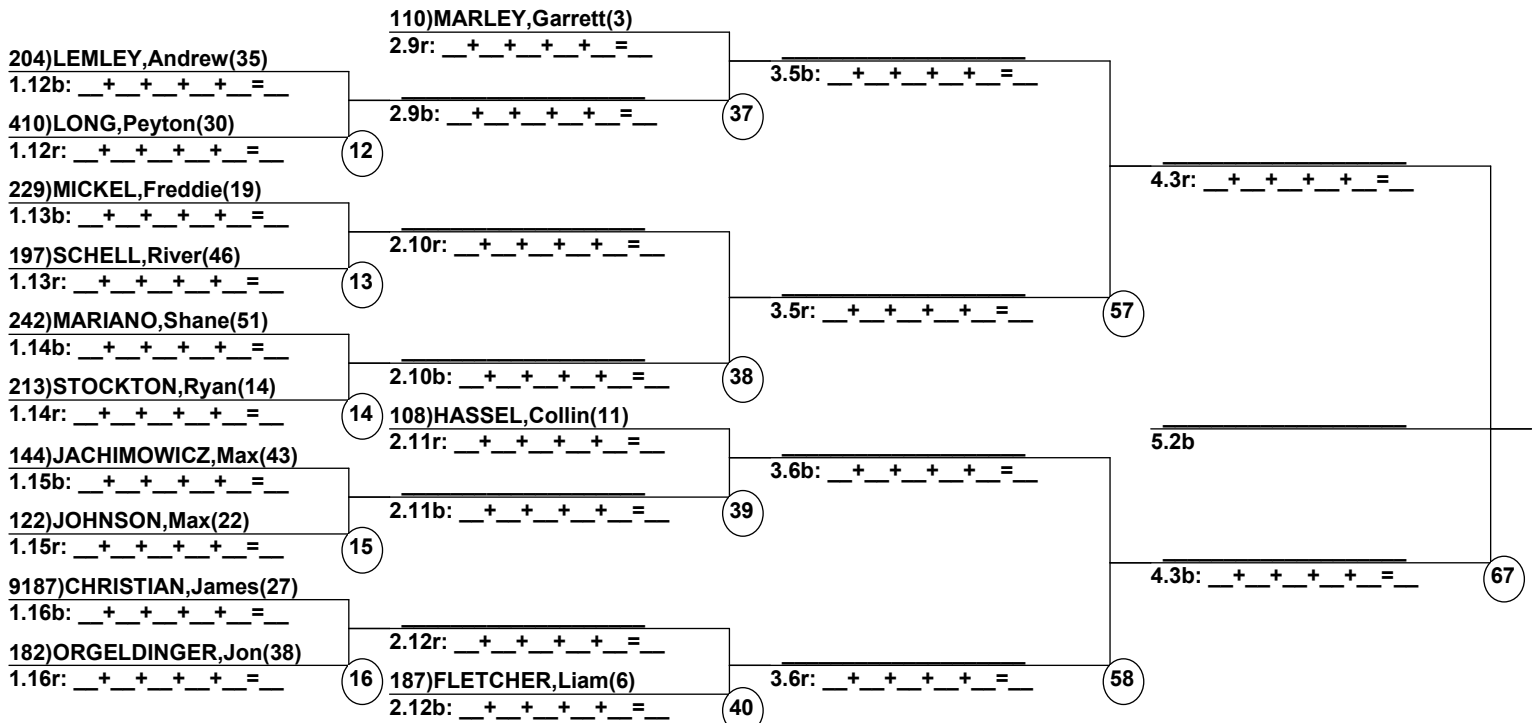
Male Road to Semi-Finals (5.1B)



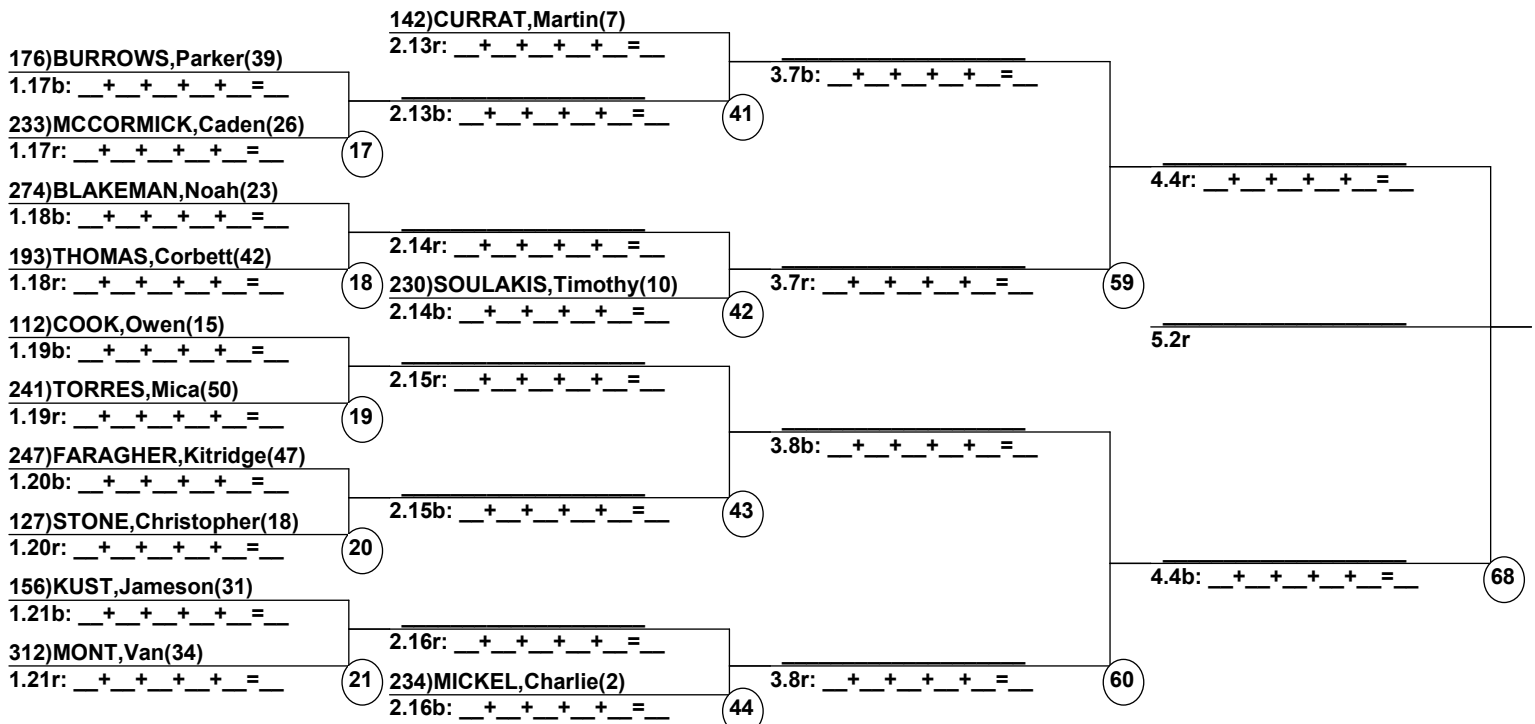
Male Road to Semi-Finals (5.1R)



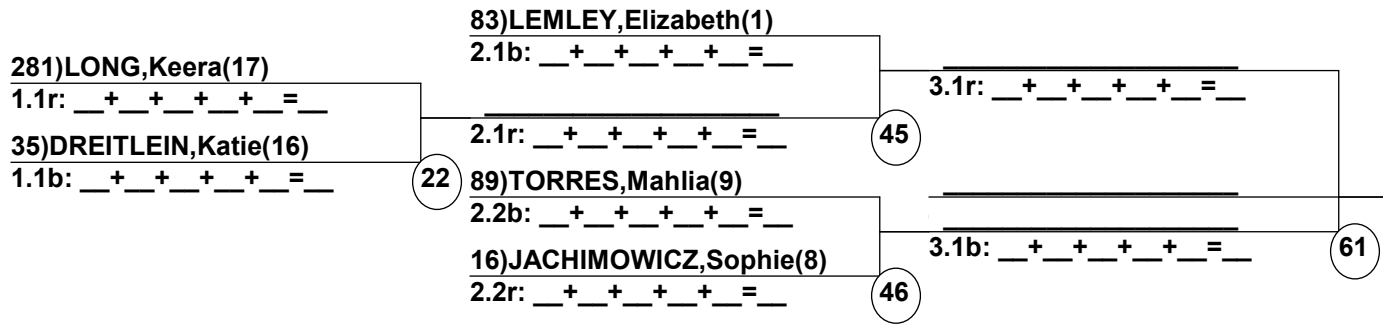
Male Road to Semi-Finals (5.2B)



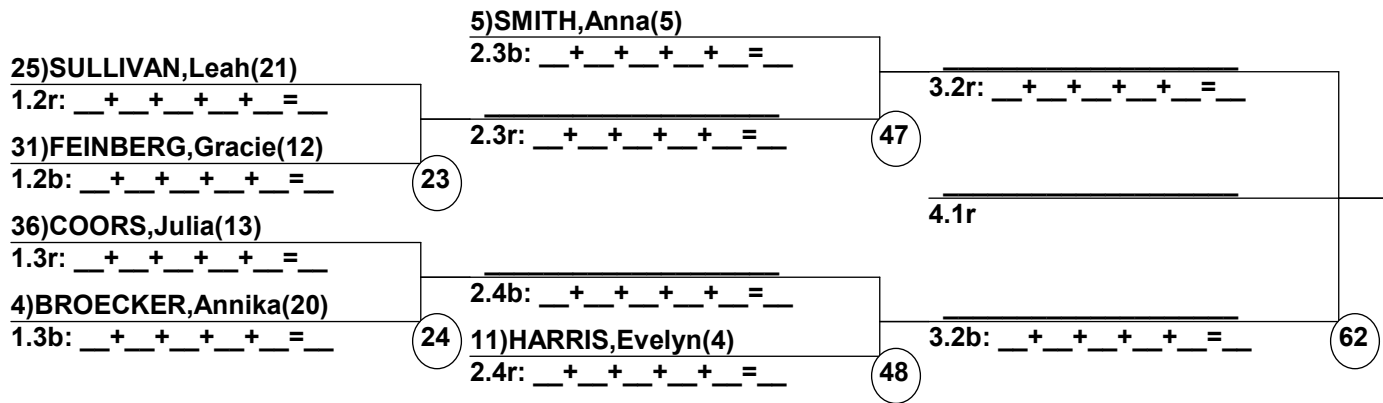
Male Road to Semi-Finals (5.2R)



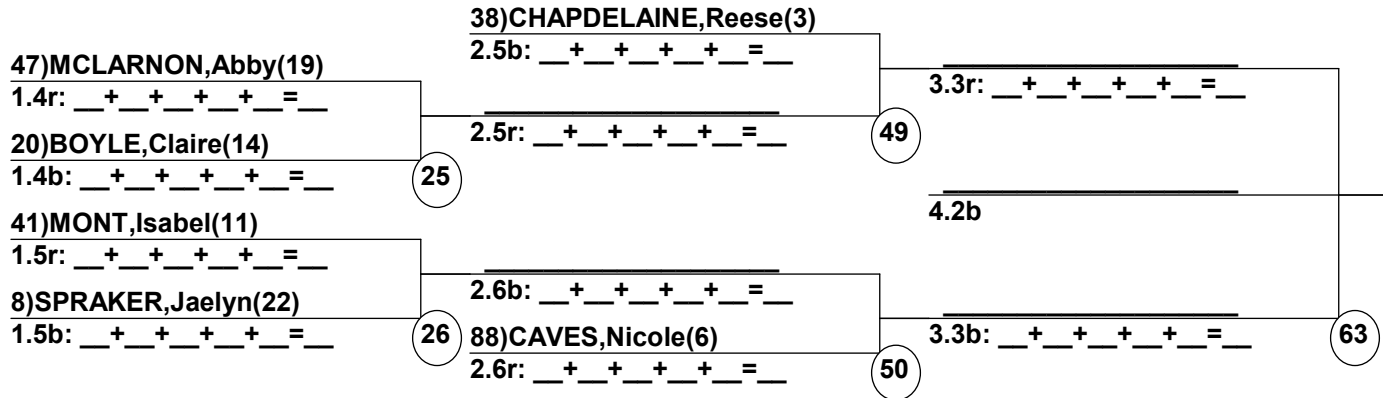
Female Road to Semi-Finals (4.1B)



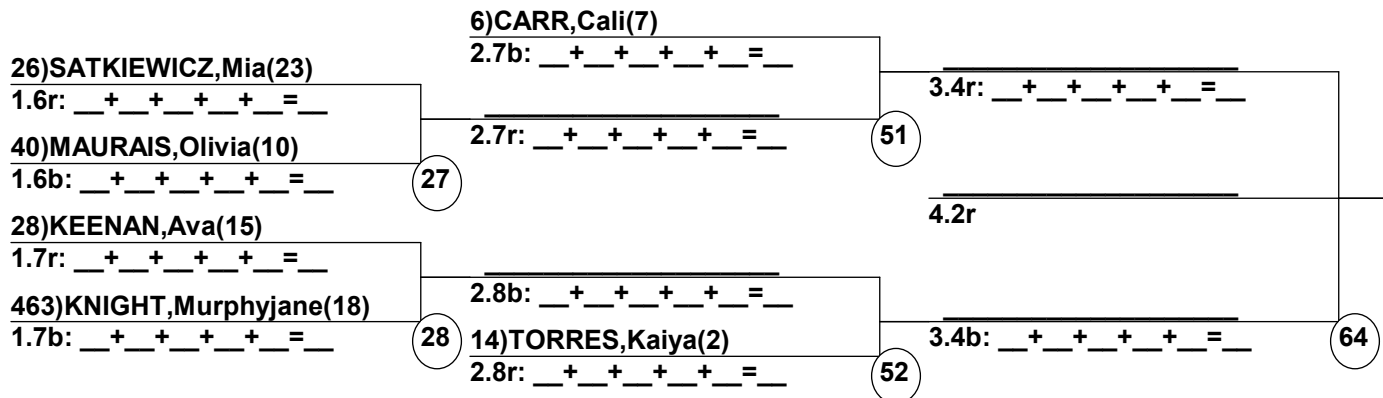
Female Road to Semi-Finals (4.1R)



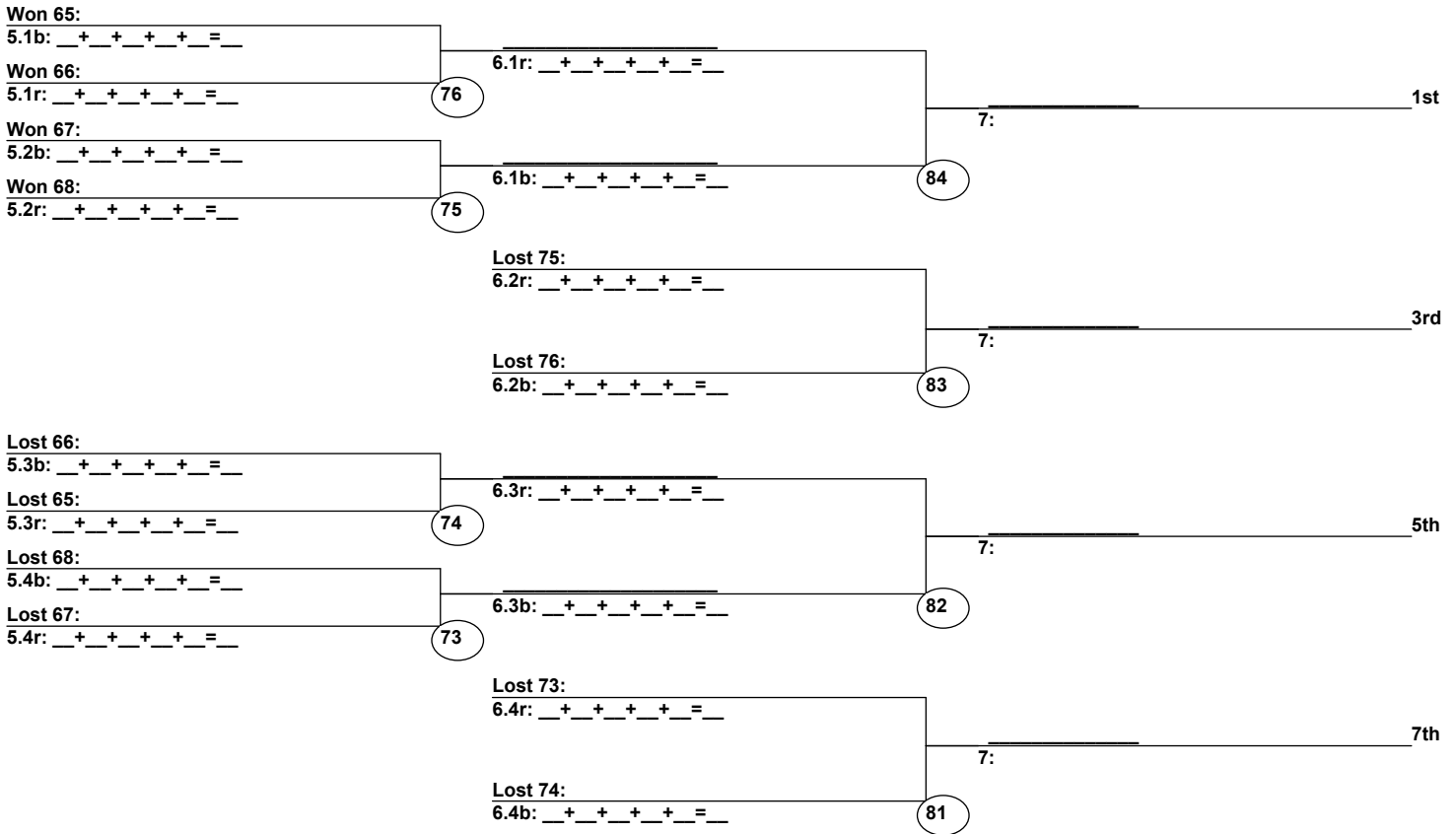
Female Road to Semi-Finals (4.2B)



Female Road to Semi-Finals (4.2R)



Male Semi-Finals



Female Semi-Finals

