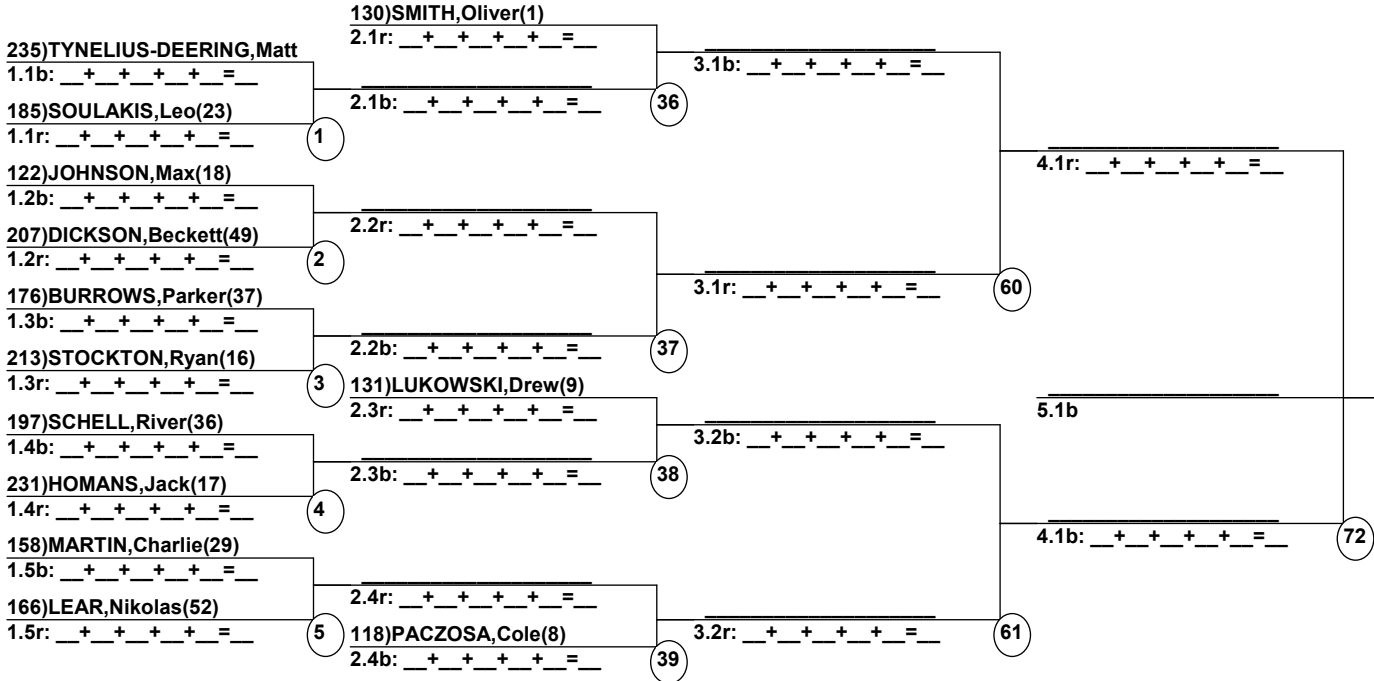


Duals1 Run 1
Female/Male
Vail Mountain

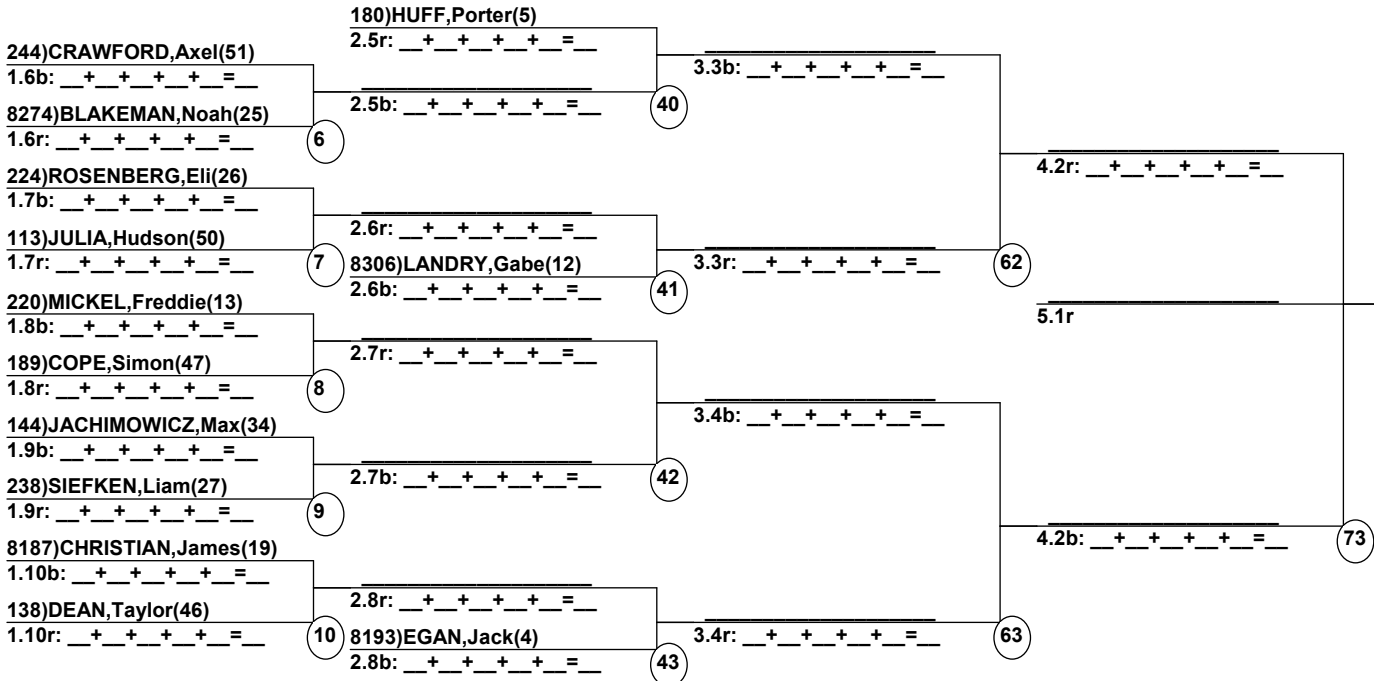
Entrants
(By Duals1 Run-order)
Vail Valley Moguls

Date: Jan 22, 2022 (Sat)
Time: 8:15 pm

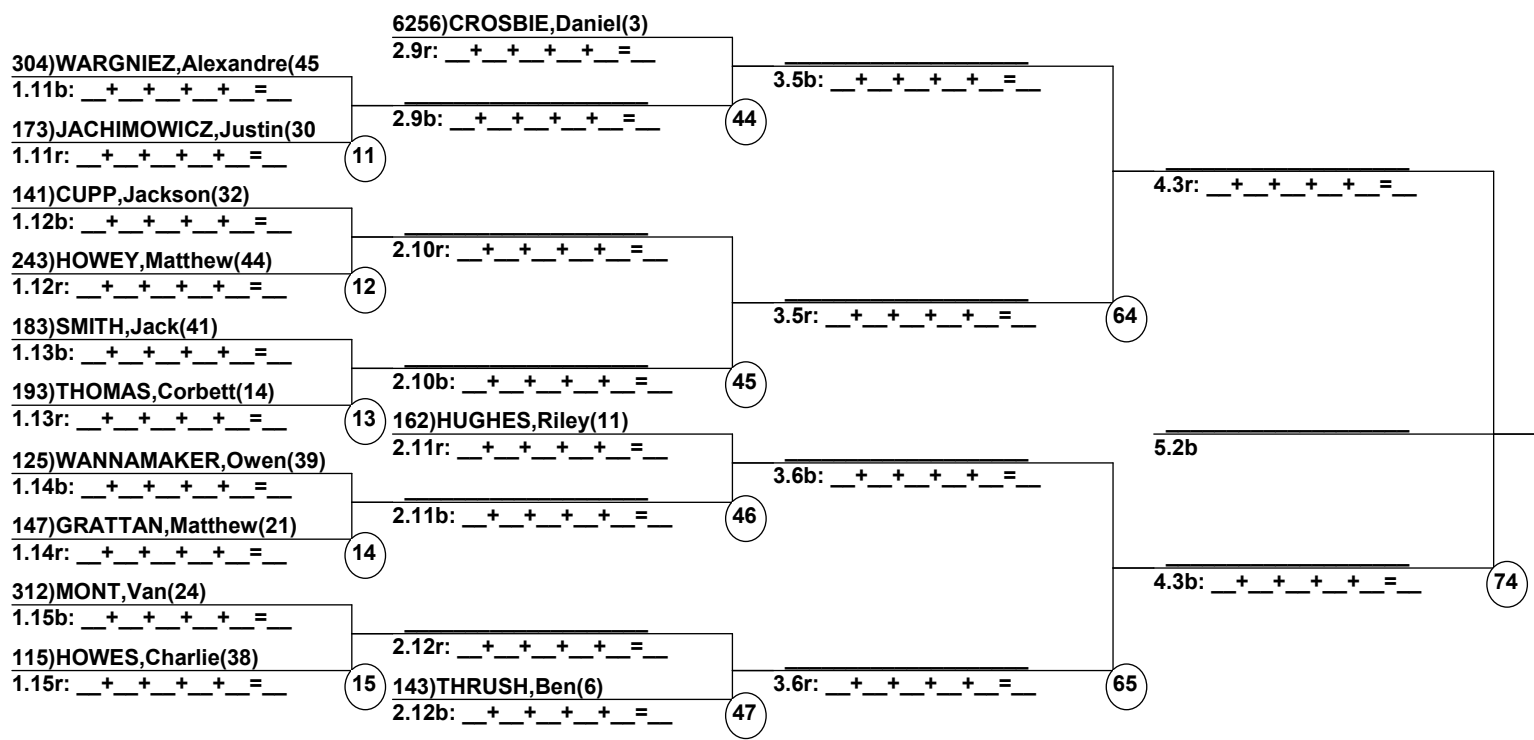
Male Road to Semi-Finals (5.1B)



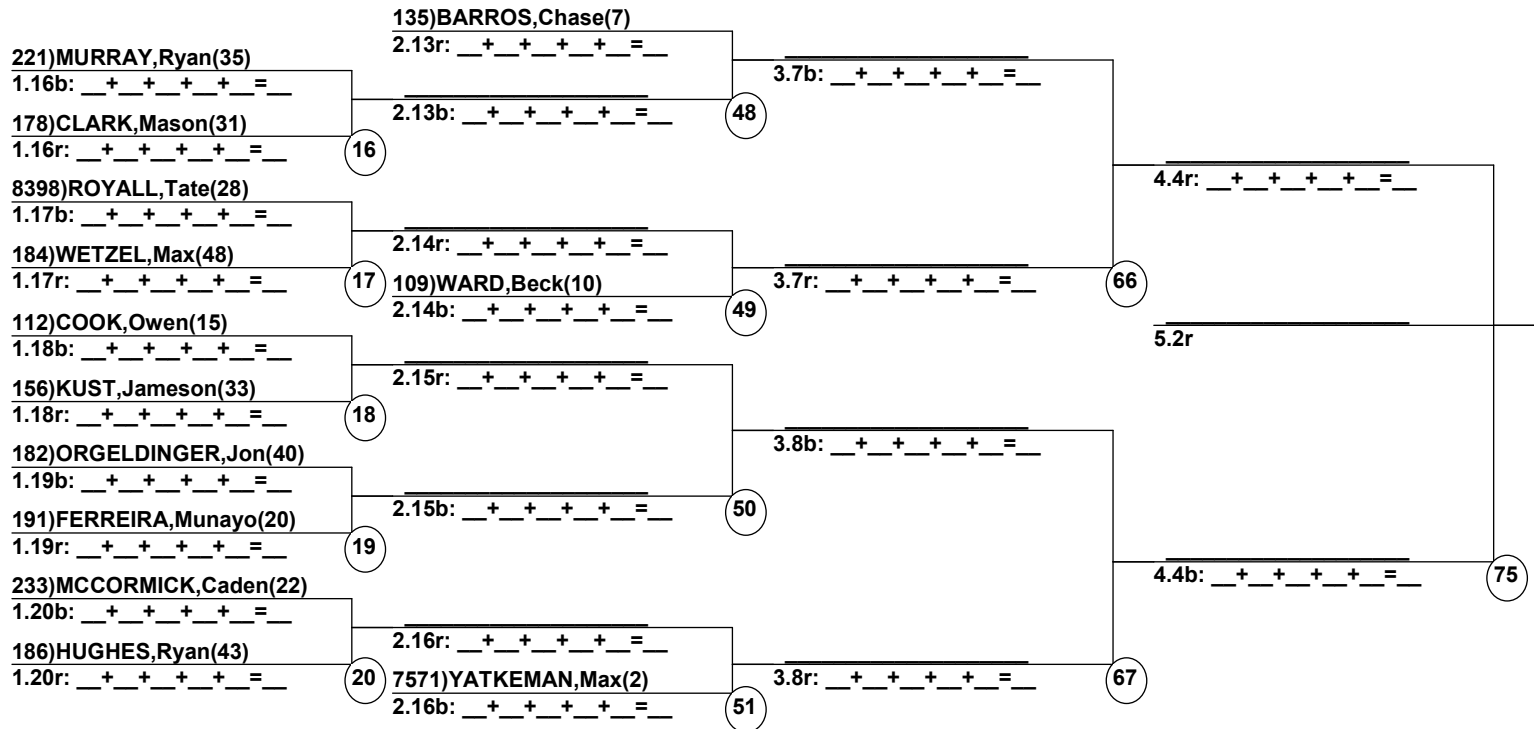
Male Road to Semi-Finals (5.1R)



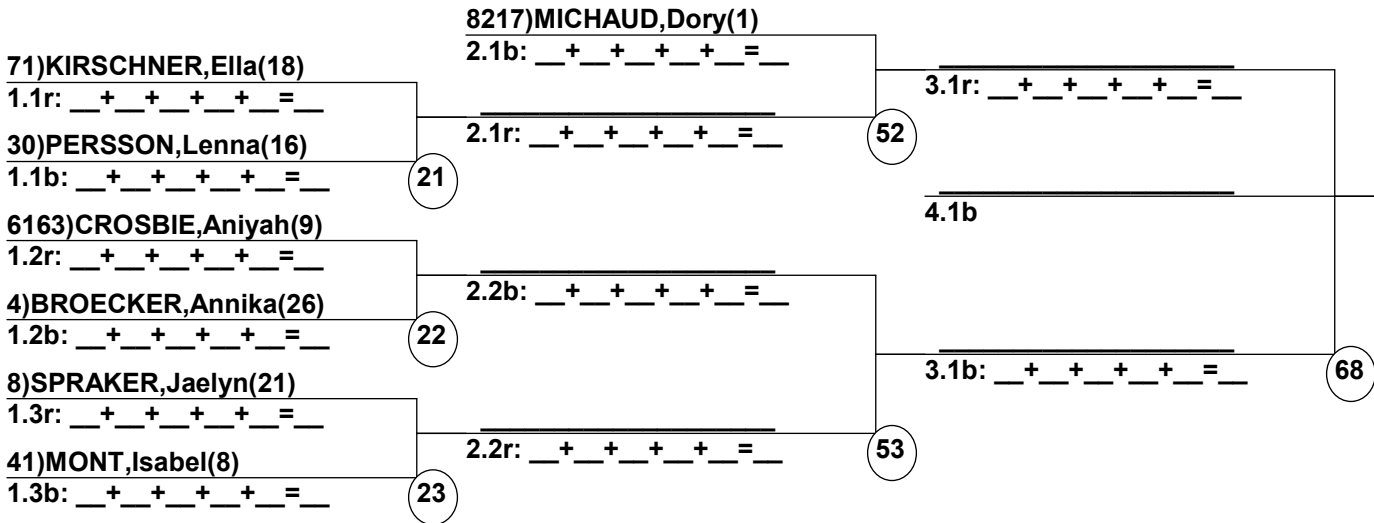
Male Road to Semi-Finals (5.2B)



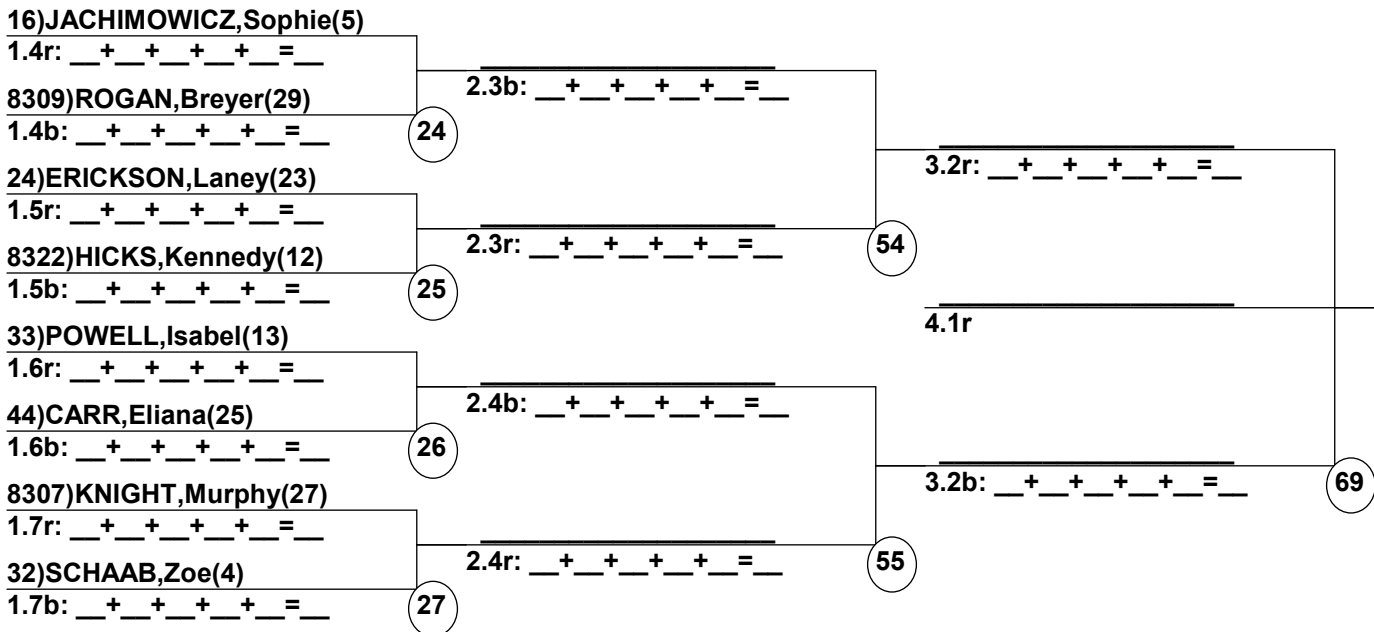
Male Road to Semi-Finals (5.2R)



Female Road to Semi-Finals (4.1B)



Female Road to Semi-Finals (4.1R)



Female Road to Semi-Finals (4.2B)

18)MCLAUGHLIN,Katie(3)

1.8r: __+_+_+_+_=_

84)DIPIETRO,Carmen(28)

1.8b: __+_+_+_+_=_

64)GUILLOT,Elle(31)

1.9r: __+_+_+_+_=_

36)COORS,Julia(14)

1.9b: __+_+_+_+_=_

8242)VELENCHIK,Arden(11)

1.10r: __+_+_+_+_=_

47)MCLARNON,Abby(24)

1.10b: __+_+_+_+_=_

25)SULLIVAN,Leah(19)

1.11r: __+_+_+_+_=_

8250)MCKENZIE,Natalee(6)

1.11b: __+_+_+_+_=_

2.5b: __+_+_+_+_=_

2.5r: __+_+_+_+_=_

2.6b: __+_+_+_+_=_

2.6r: __+_+_+_+_=_

3.3r: __+_+_+_+_=_

4.2b

3.3b: __+_+_+_+_=_

28

56

30

57

70

Female Road to Semi-Finals (4.2R)

40)MAURAI,Olivia(7)

1.12r: __+_+_+_+_=_

20)BOYLE,Claire(22)

1.12b: __+_+_+_+_=_

26)SATKIEWICZ,Mia(17)

1.13r: __+_+_+_+_=_

8323)DICKY,Kenadie(10)

1.13b: __+_+_+_+_=_

9)FAHERTY,Megan(15)

1.14r: __+_+_+_+_=_

28)KEENAN,Ava(20)

1.14b: __+_+_+_+_=_

9000)WEILER,Gracie(30)

1.15r: __+_+_+_+_=_

19)LEMNAH,Reese(2)

1.15b: __+_+_+_+_=_

2.7b: __+_+_+_+_=_

2.7r: __+_+_+_+_=_

2.8b: __+_+_+_+_=_

2.8r: __+_+_+_+_=_

3.4r: __+_+_+_+_=_

4.2r

3.4b: __+_+_+_+_=_

32

58

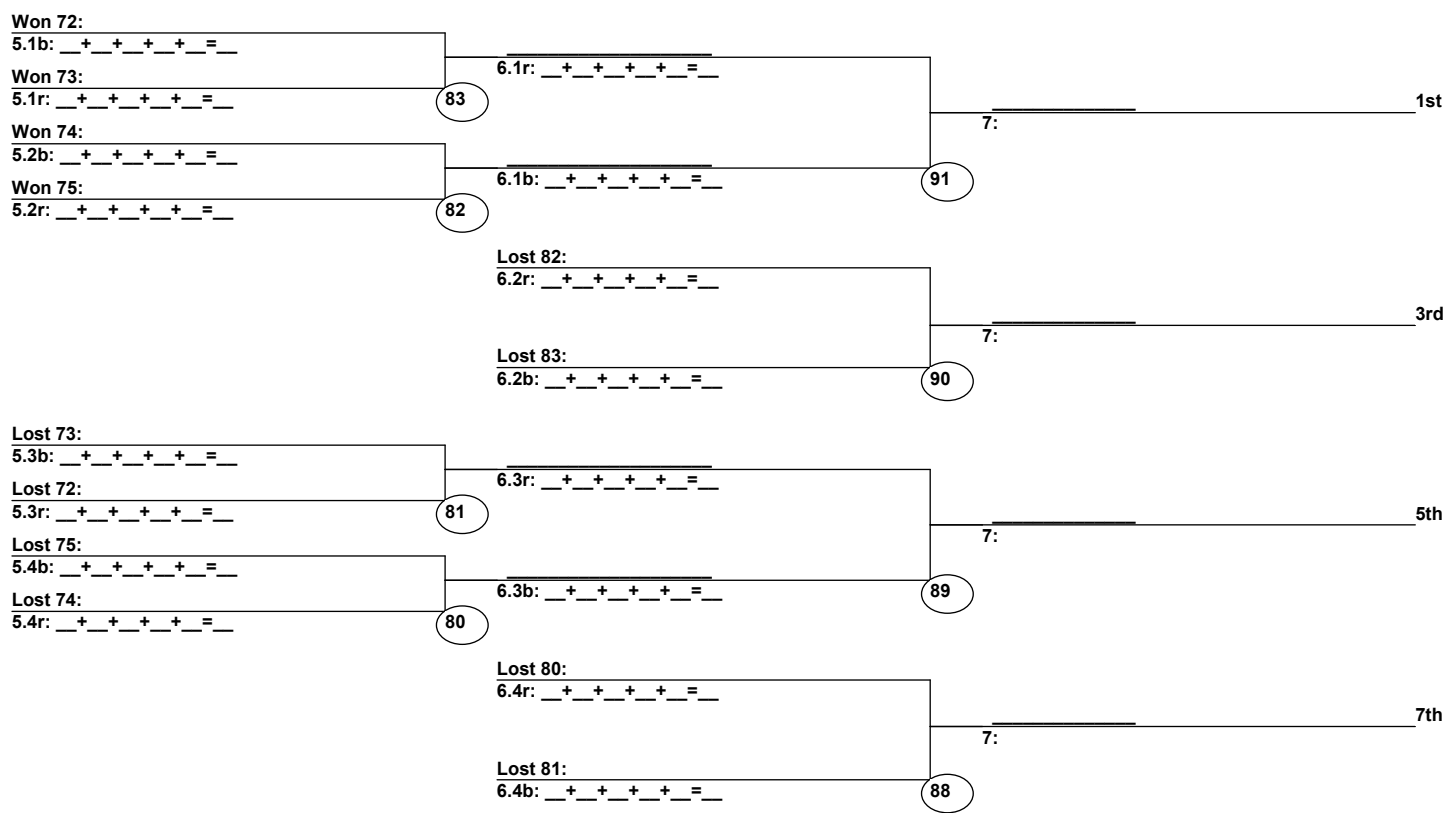
33

34

59

71

Male Semi-Finals



Female Semi-Finals

