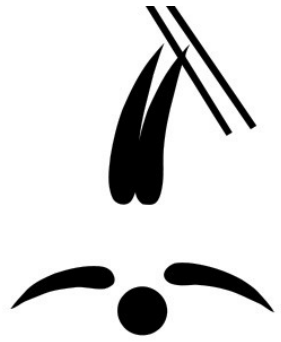




Mogul Divisional Champs at Winter Park

Winter Park Resort
Mar 6, 2022 (Sun) (U0732) (U0731)



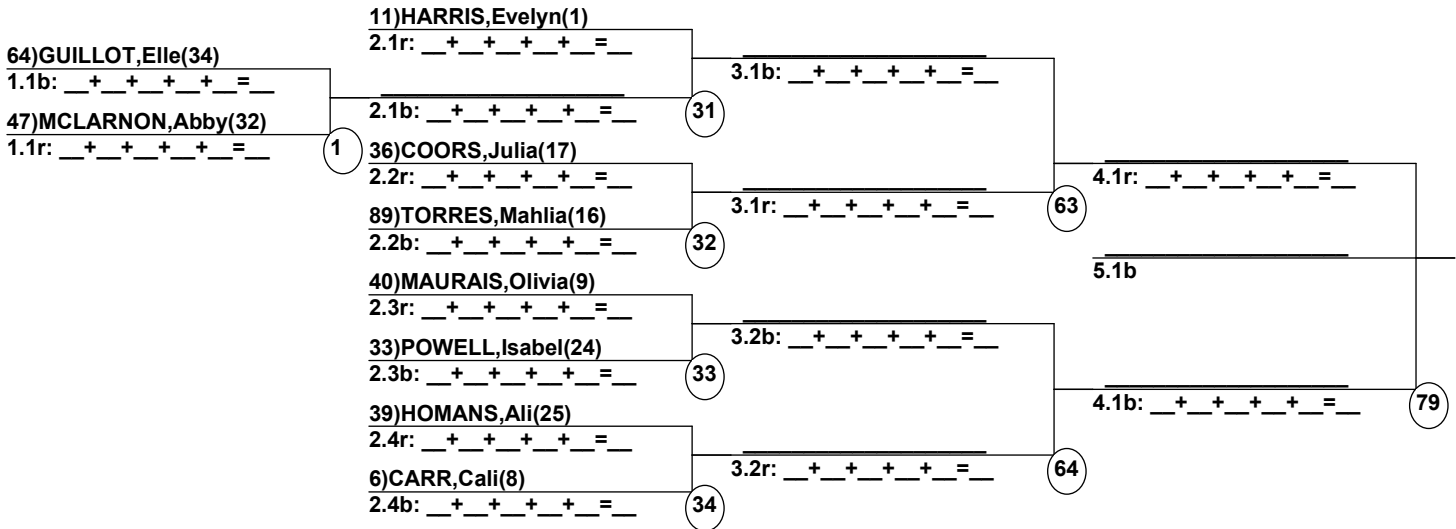
Head Judge: CARPENTER,Helena
Chief of Comp: HARRIS,Philip
T.D.: PITZ,Keegan
Chief of Scoring: DREITLEIN,David

Course: Ambush
Length: 238 m
Width: 12 m
Pitch: 26 deg

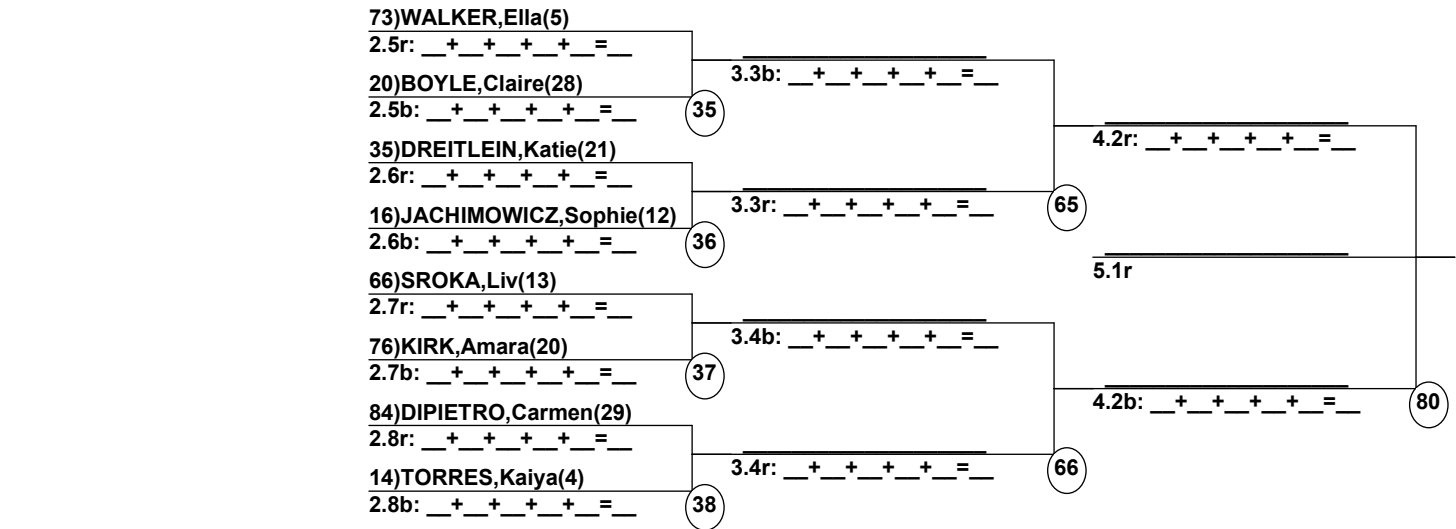
____ Head Judge
____ Chief of Scoring
____ T.D.

Duals1 Run 1 Entrants Date: Mar 5, 2022 (Sat)
Female/Male (By Duals1 Run-order) Time: 7:07 pm
Winter Park Resort Mogul Divisional Cha

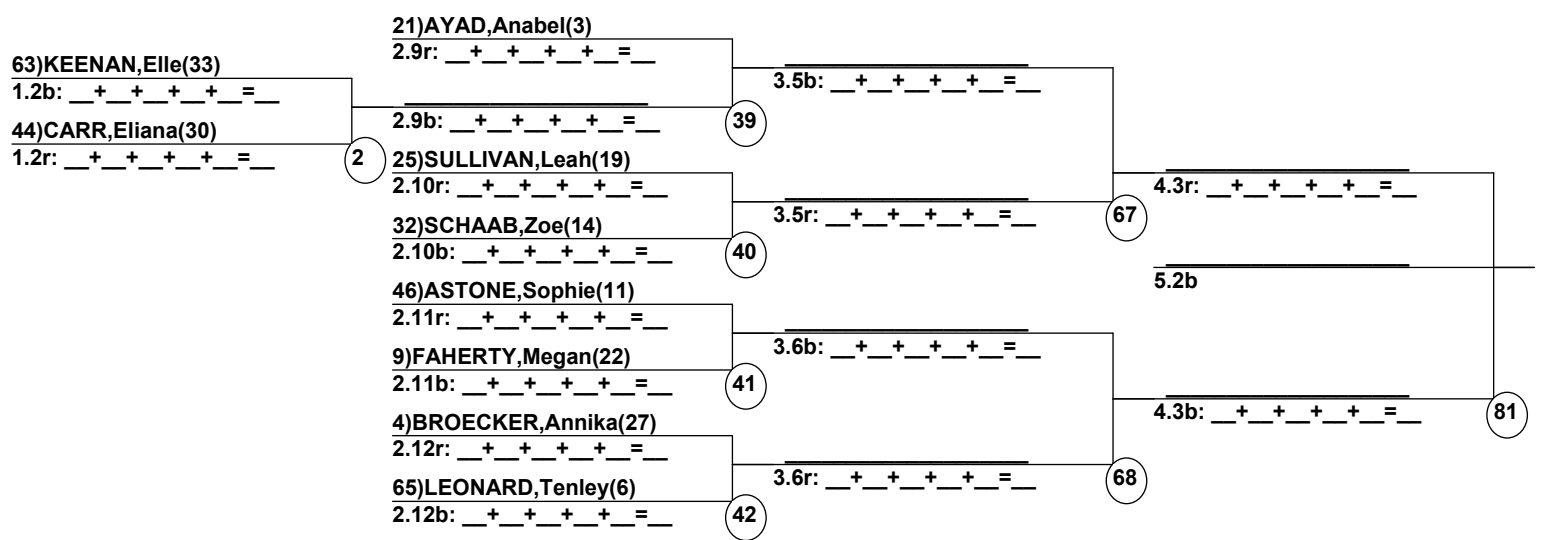
Female Road to Semi-Finals (5.1B)



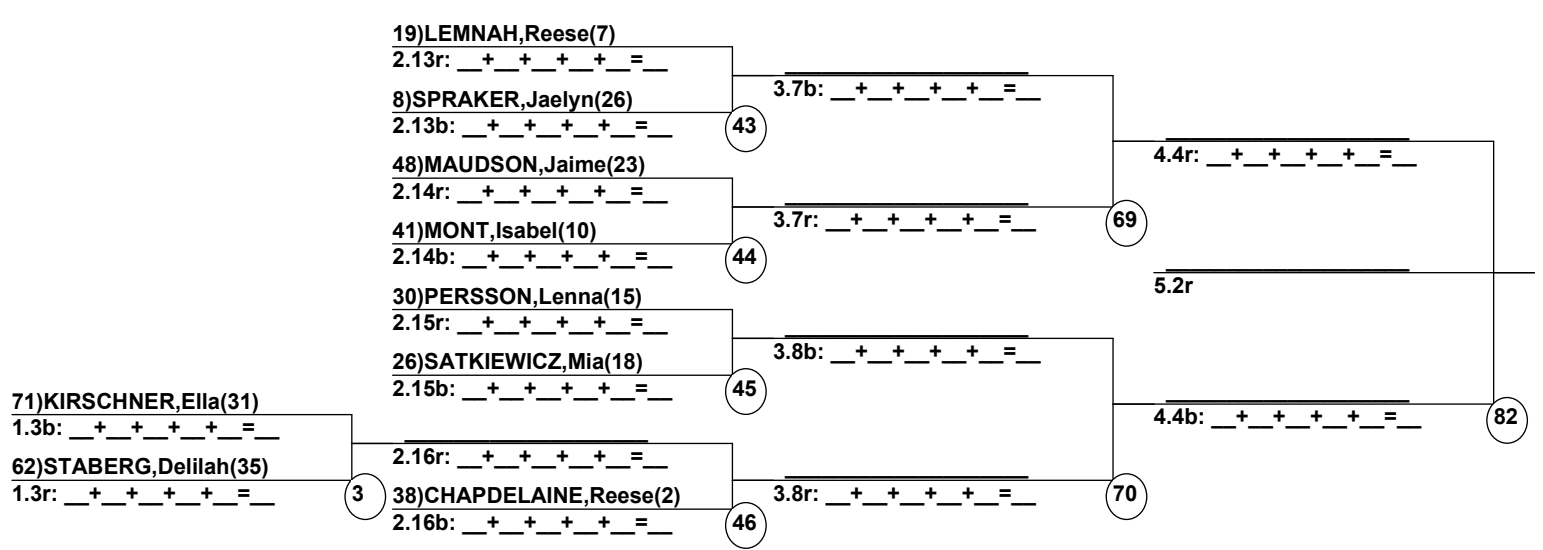
Female Road to Semi-Finals (5.1R)



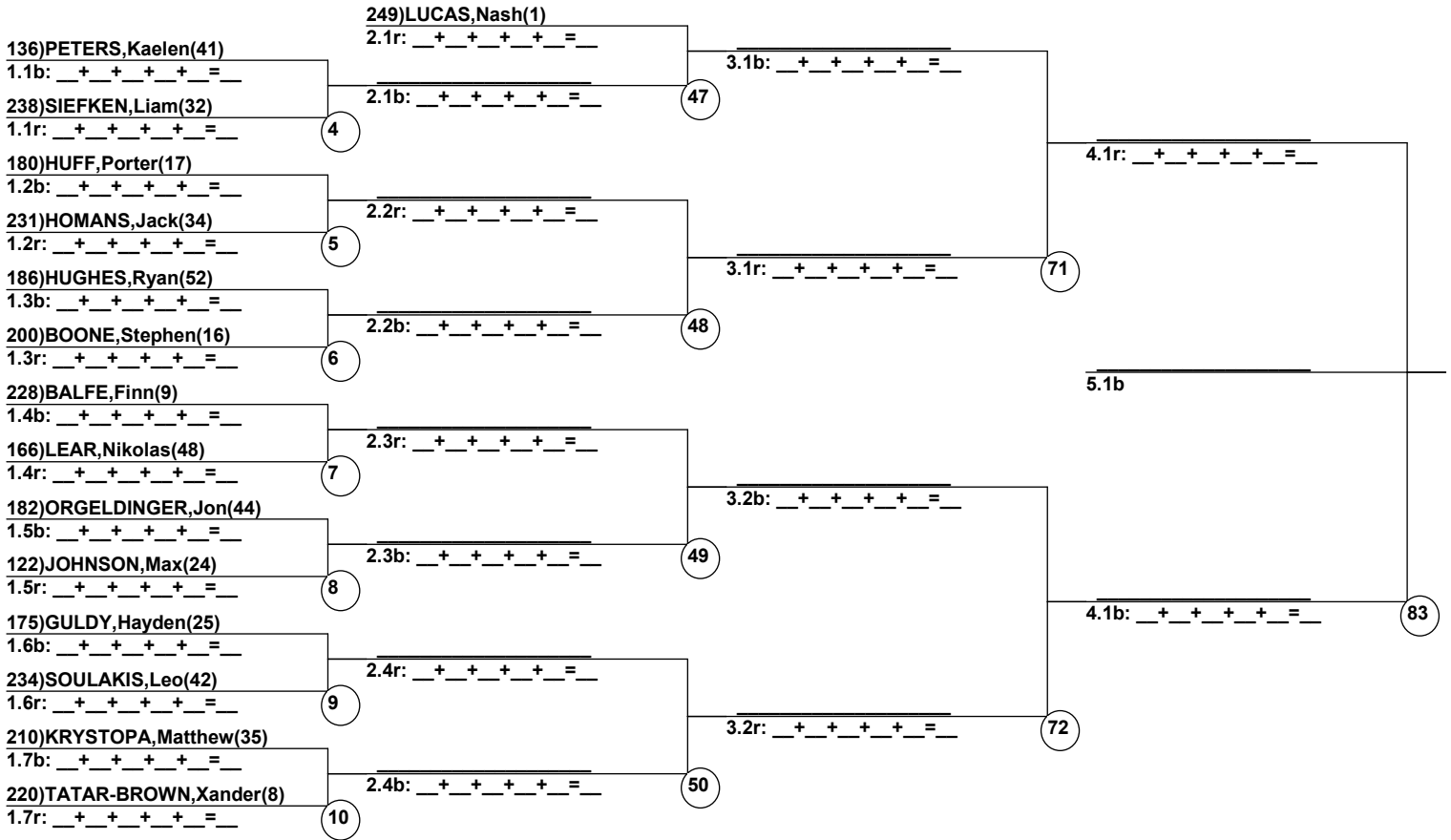
Female Road to Semi-Finals (5.2B)



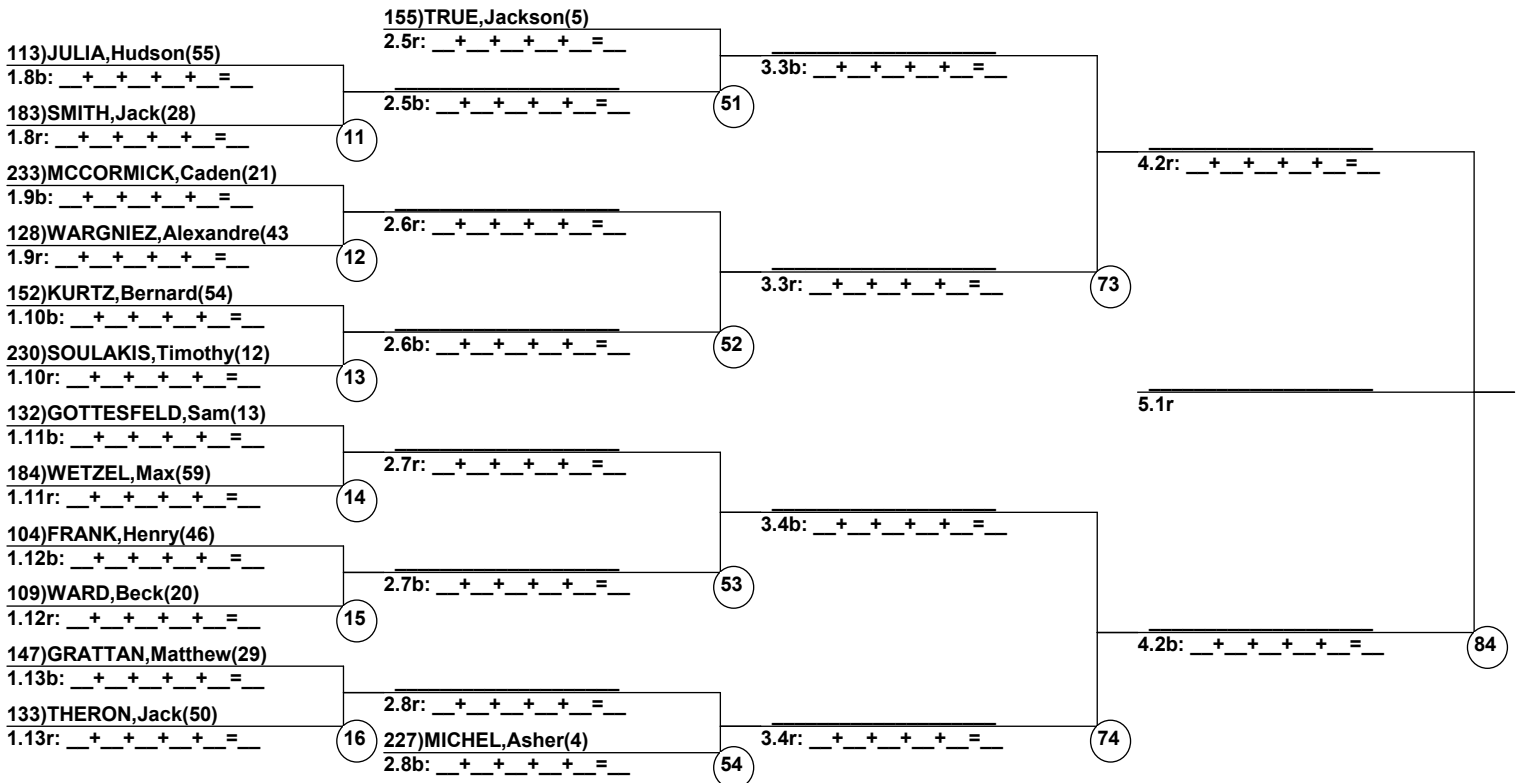
Female Road to Semi-Finals (5.2R)



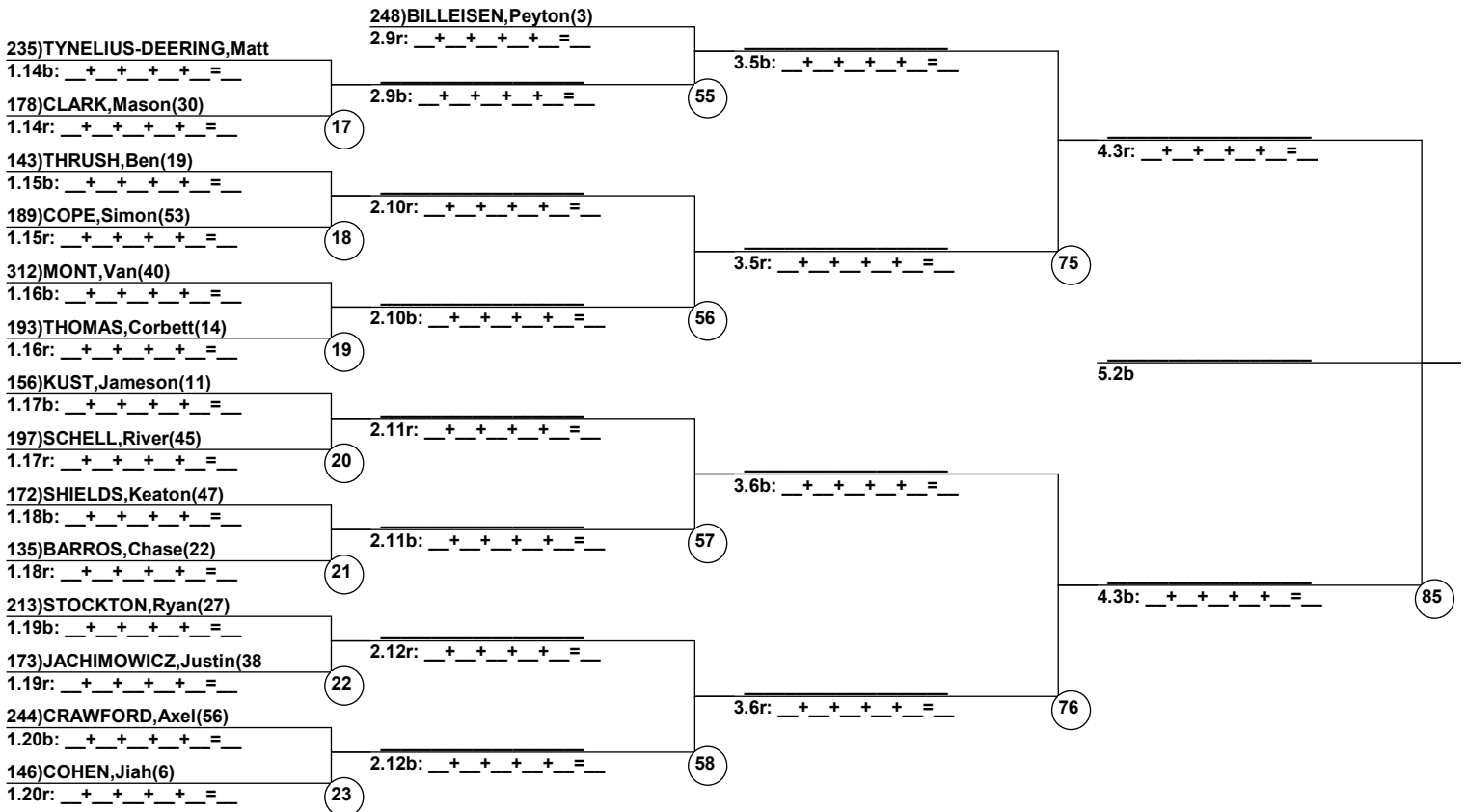
Male Road to Semi-Finals (5.1B)



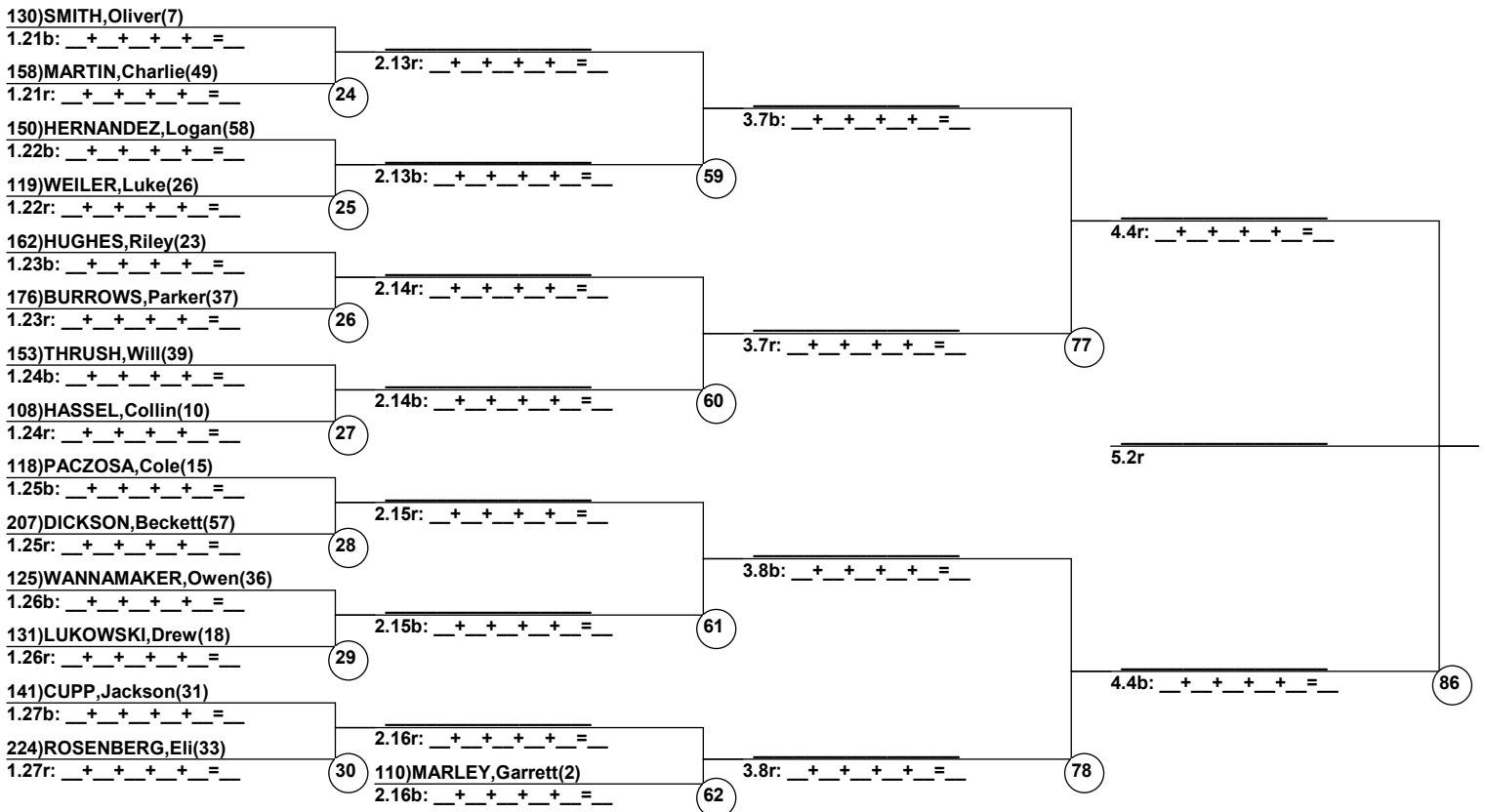
Male Road to Semi-Finals (5.1R)



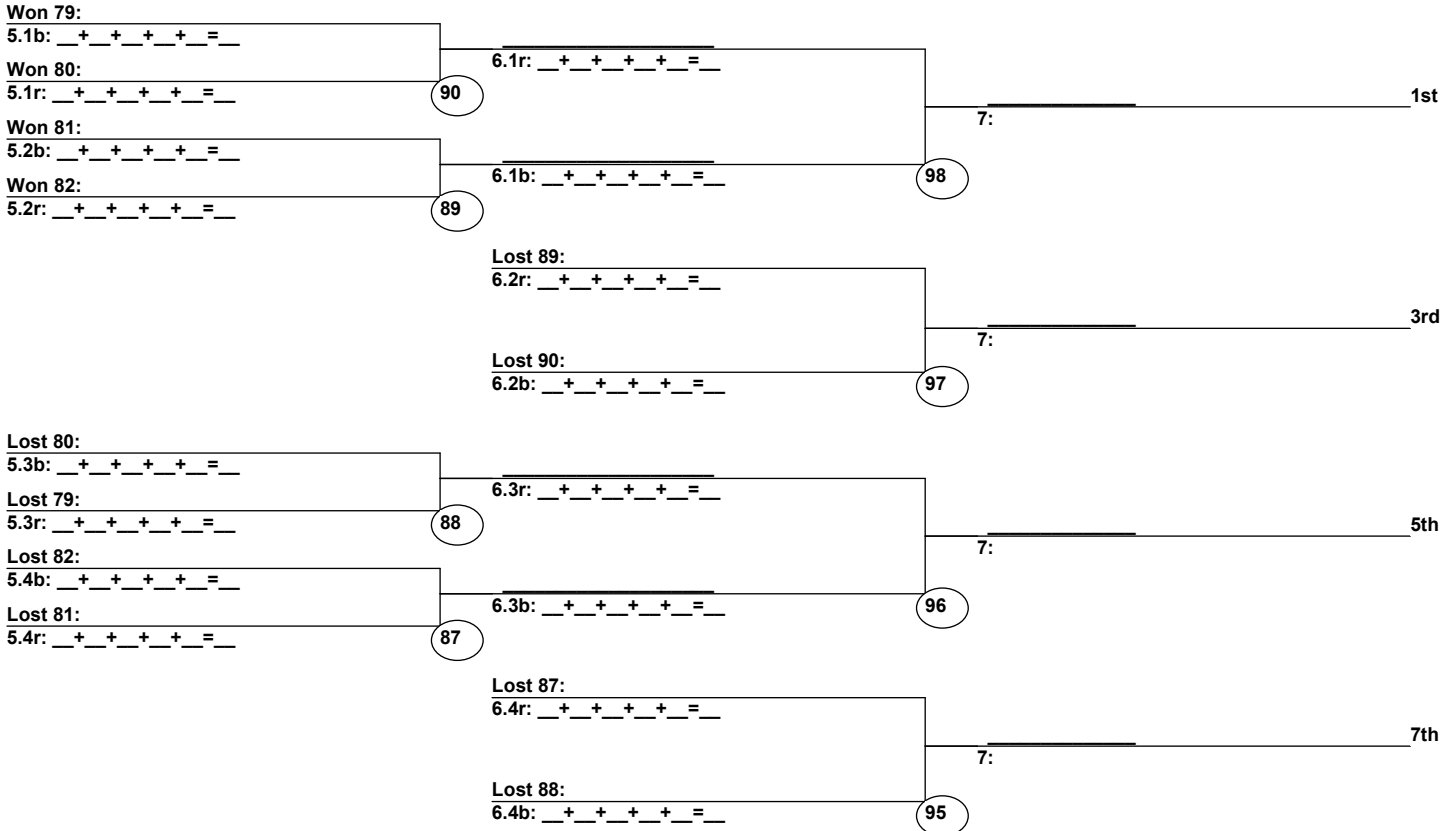
Male Road to Semi-Finals (5.2B)



Male Road to Semi-Finals (5.2R)



Female Semi-Finals



Male Semi-Finals

