



The Steadman Clinic Moguls at the Highlands

Aspen Highlands
Jan 21, 2024 (Sun) (U0935) (U0934)



Head Judge: ELLIS,Christopher
Chief of Comp: DREITLEIN,David
T.D.: LUCAS,James
Chief of Scoring: CUPP,Erica

Course: Thunderbowl

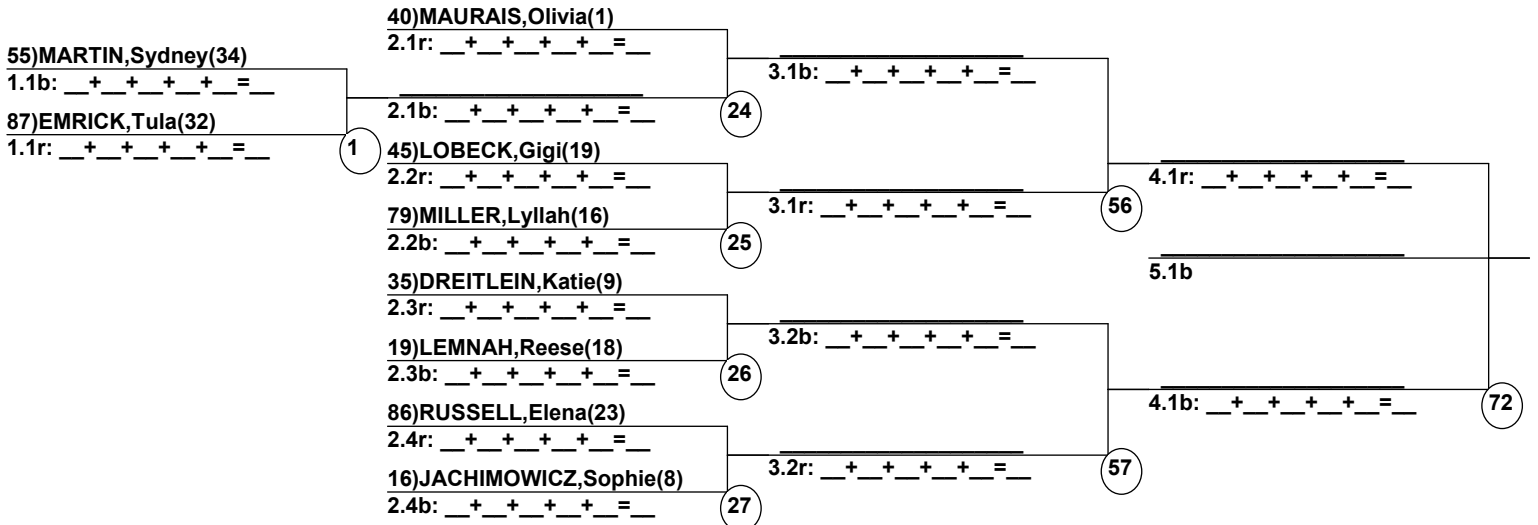
Head Judge

Chief of Scoring

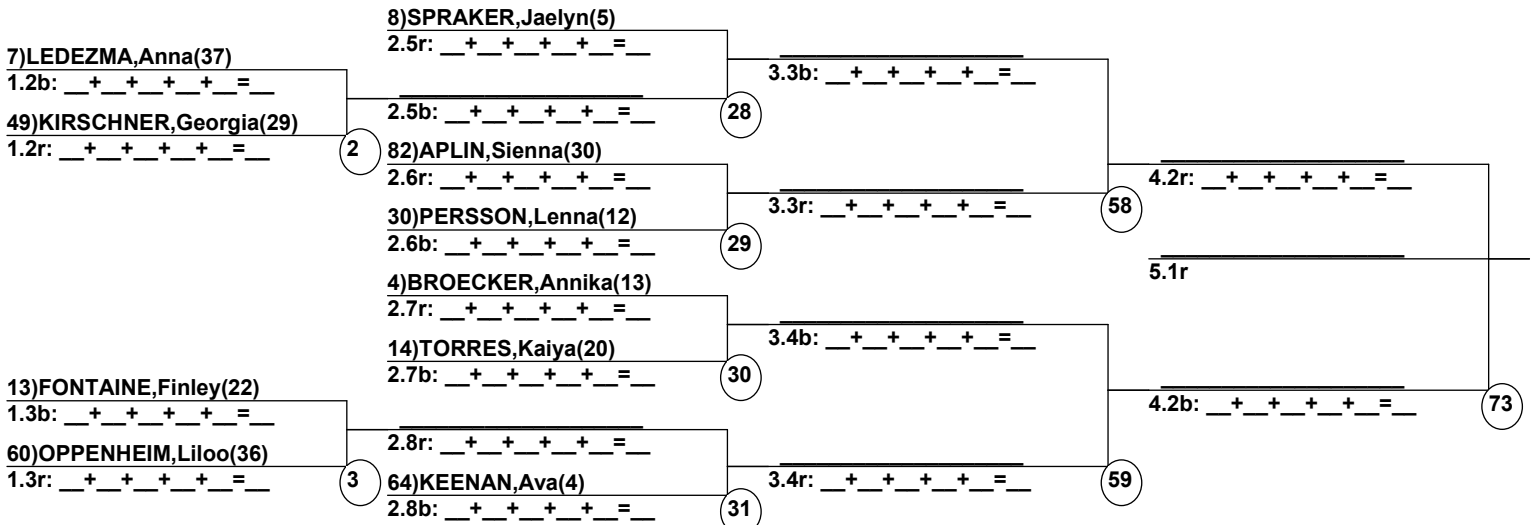
T.D.

Duals1 Run 1 Entrants Date: Jan 20, 2024 (Sat)
Female/Male (By Duals1 Run-order) Time: 4:27 pm
Aspen Highlands The Steadman Clinic

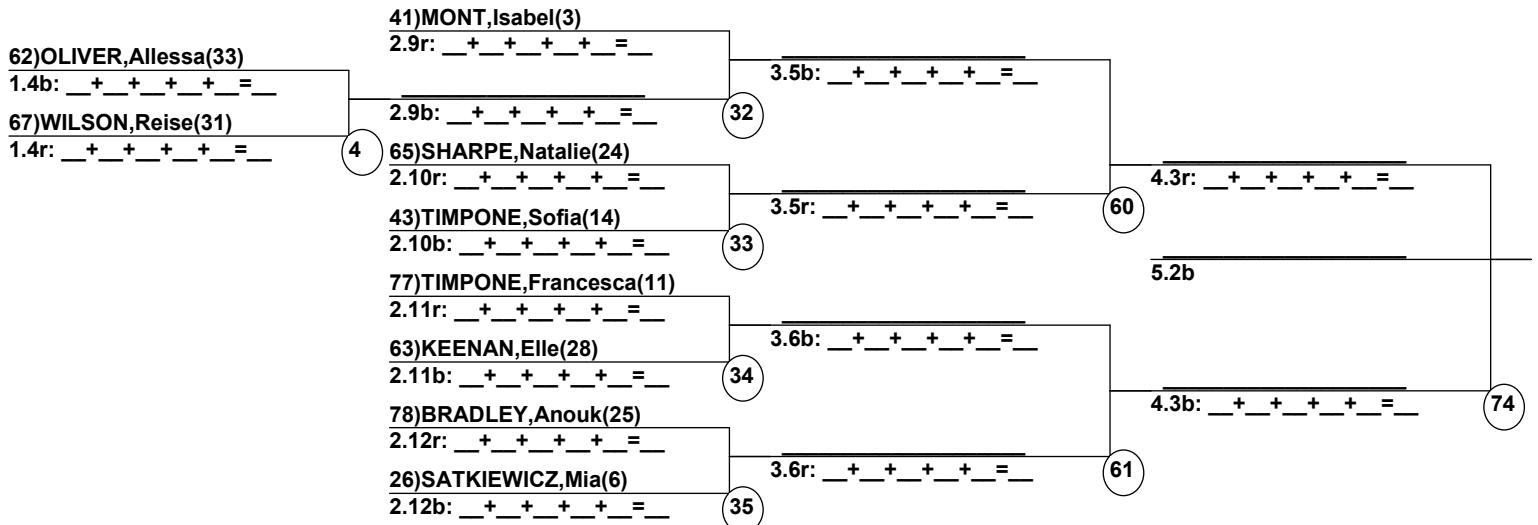
Female Road to Semi-Finals (5.1B)



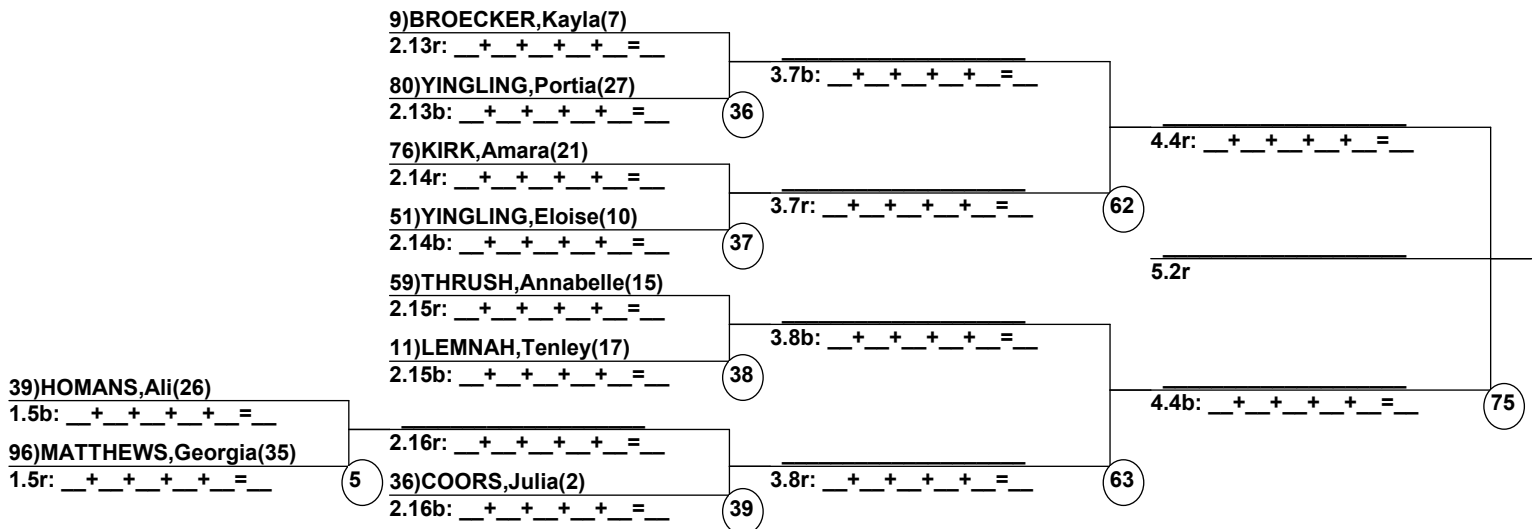
Female Road to Semi-Finals (5.1R)



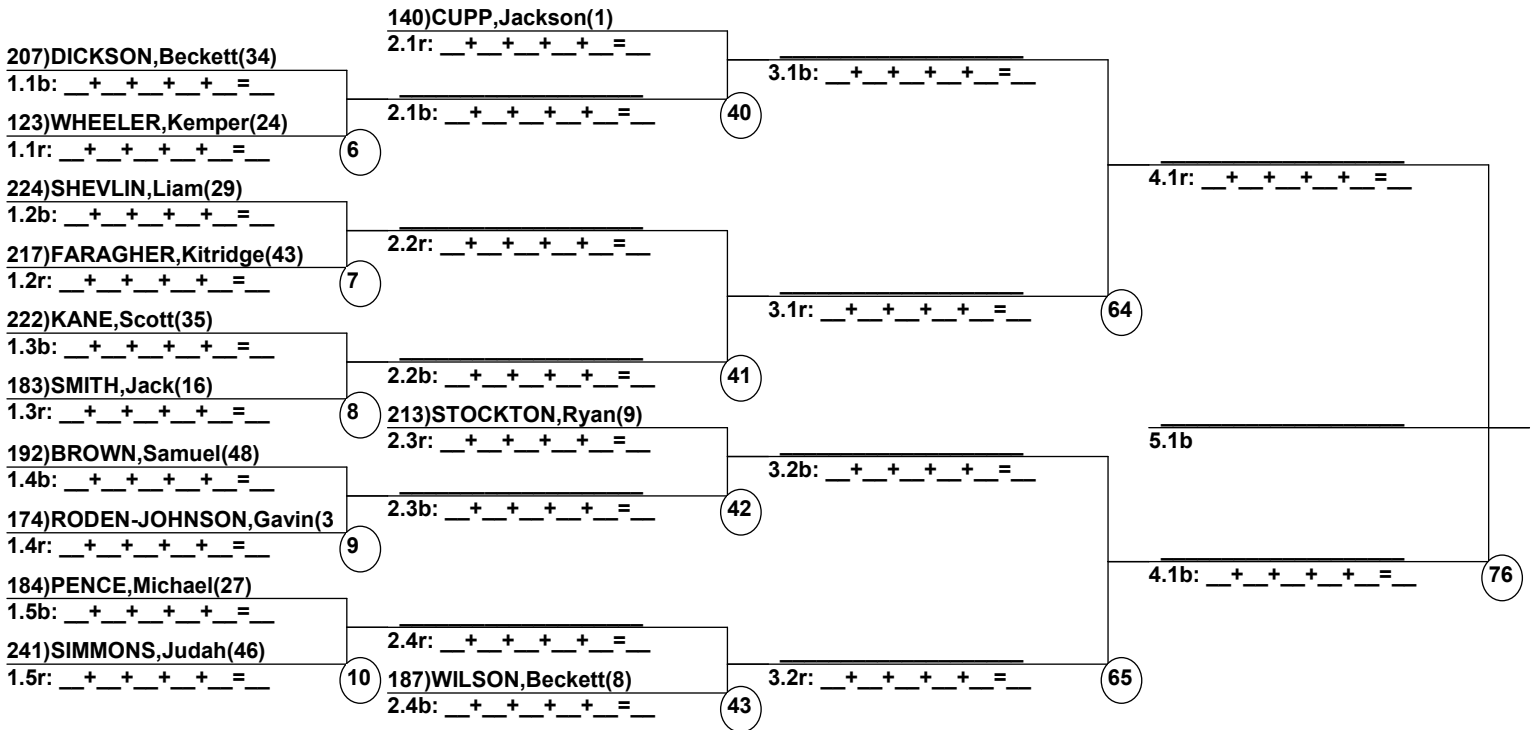
Female Road to Semi-Finals (5.2B)



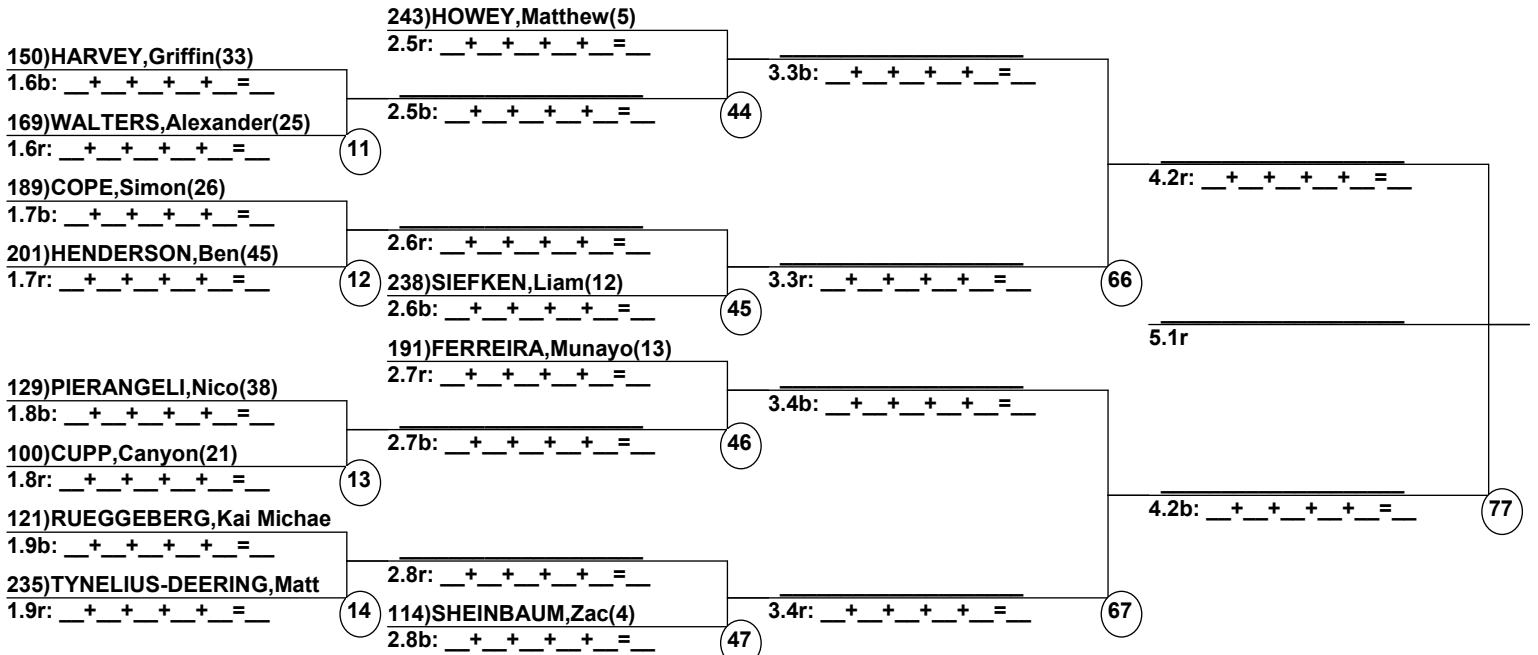
Female Road to Semi-Finals (5.2R)



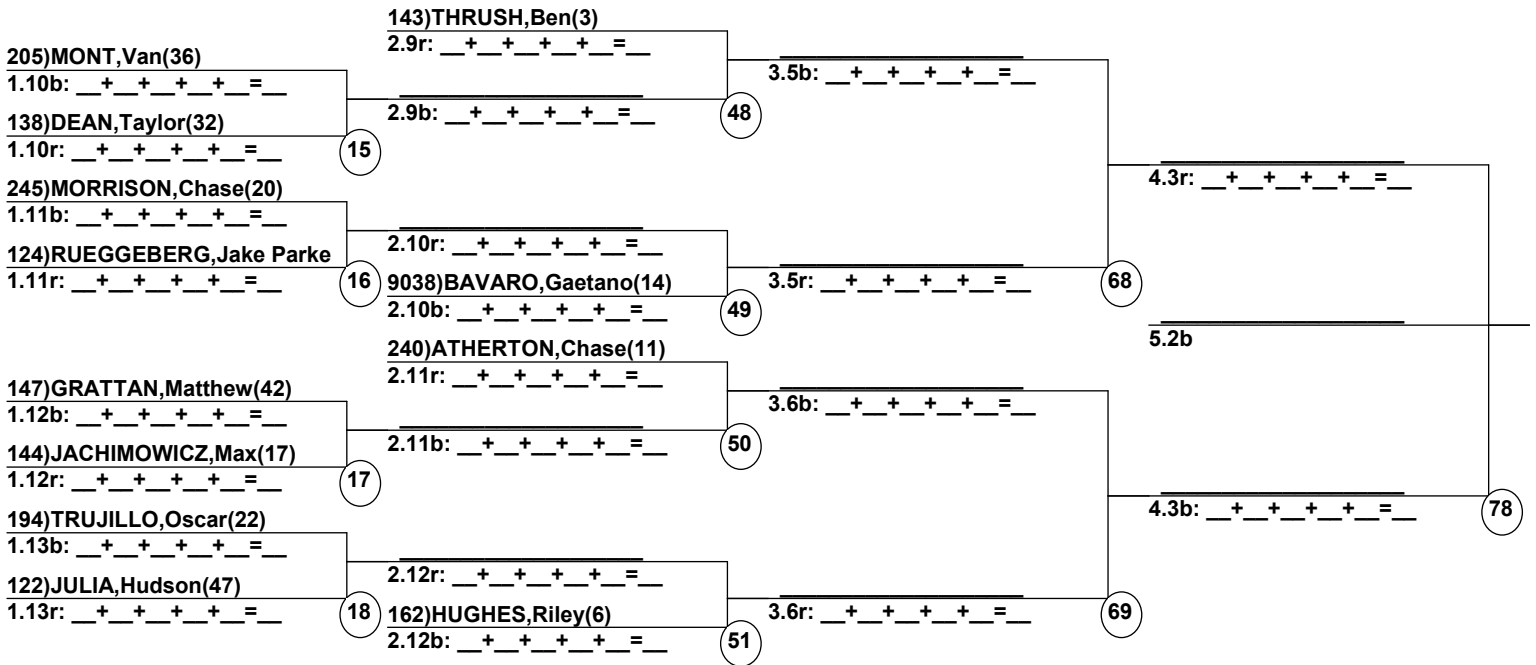
Male Road to Semi-Finals (5.1B)



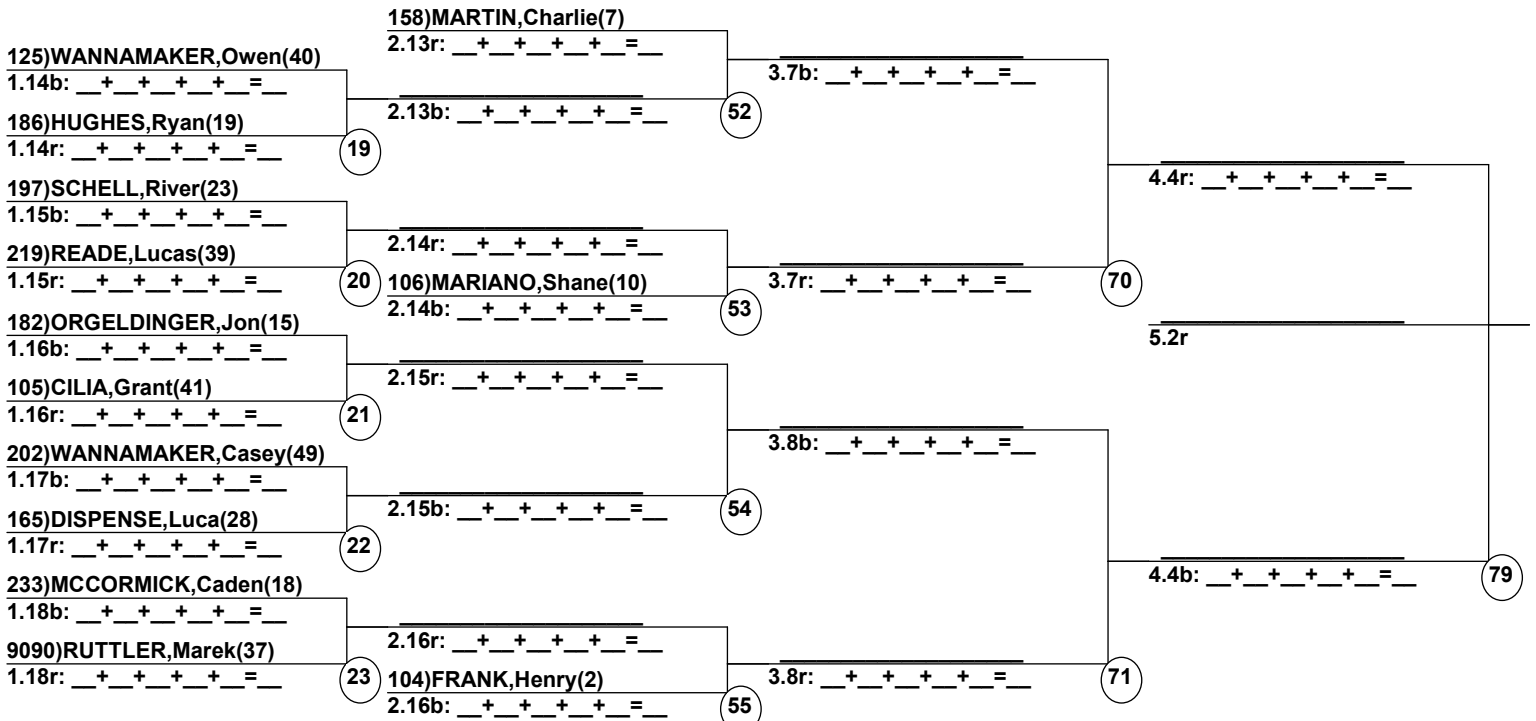
Male Road to Semi-Finals (5.1R)



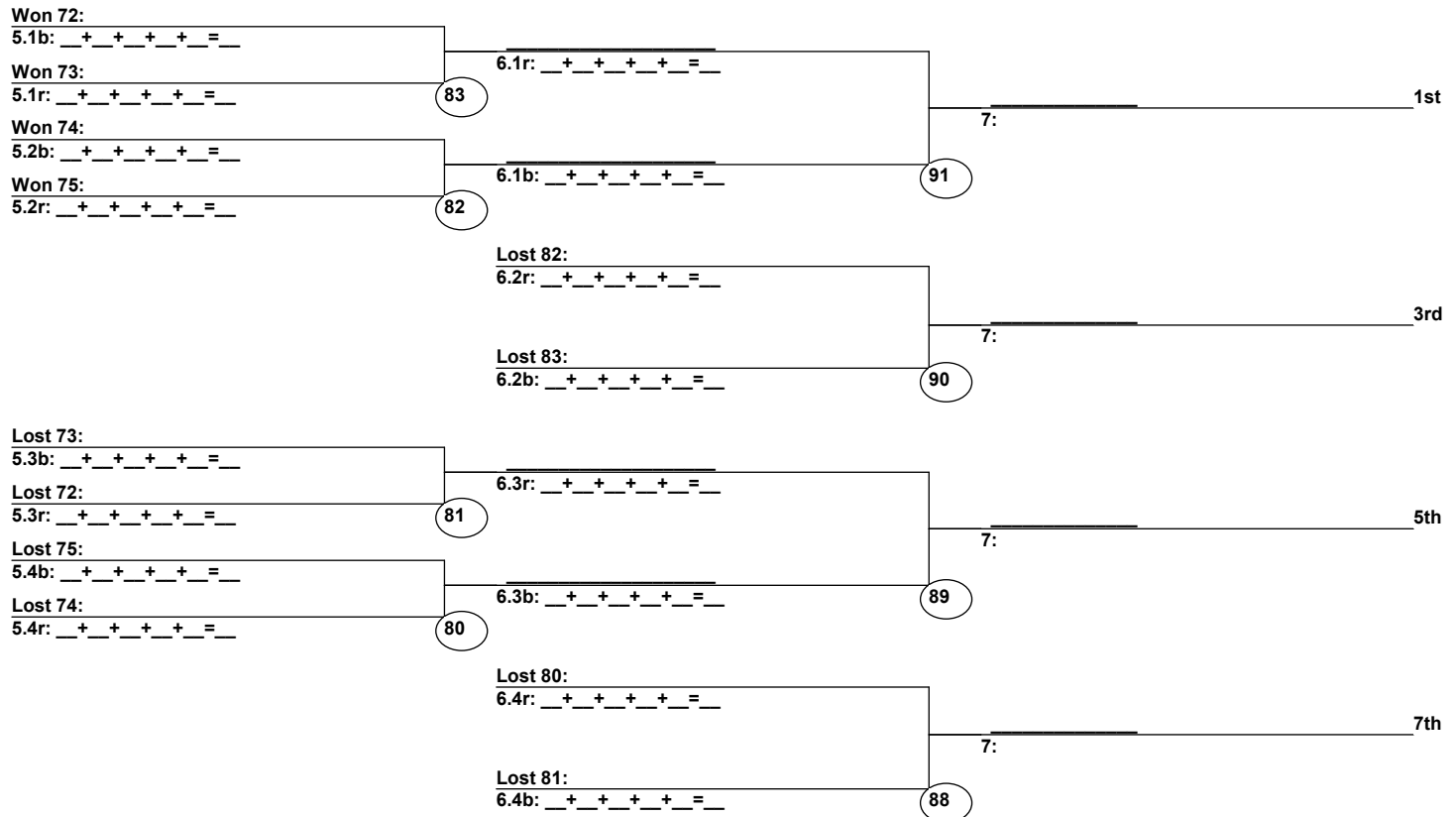
Male Road to Semi-Finals (5.2B)



Male Road to Semi-Finals (5.2R)



Female Semi-Finals



Male Semi-Finals

