



COPPER MOGULS
COPPER MOUNTAIN RESORT
 Feb 11, 2024 (Sun) (U1021) (U1020)



Head Judge: MICHALOWSKI,Jason
 Chief of Comp: HARRIS,Philip
 T.D.: LUCAS,James
 Chief of Scoring: CUPP,Erica

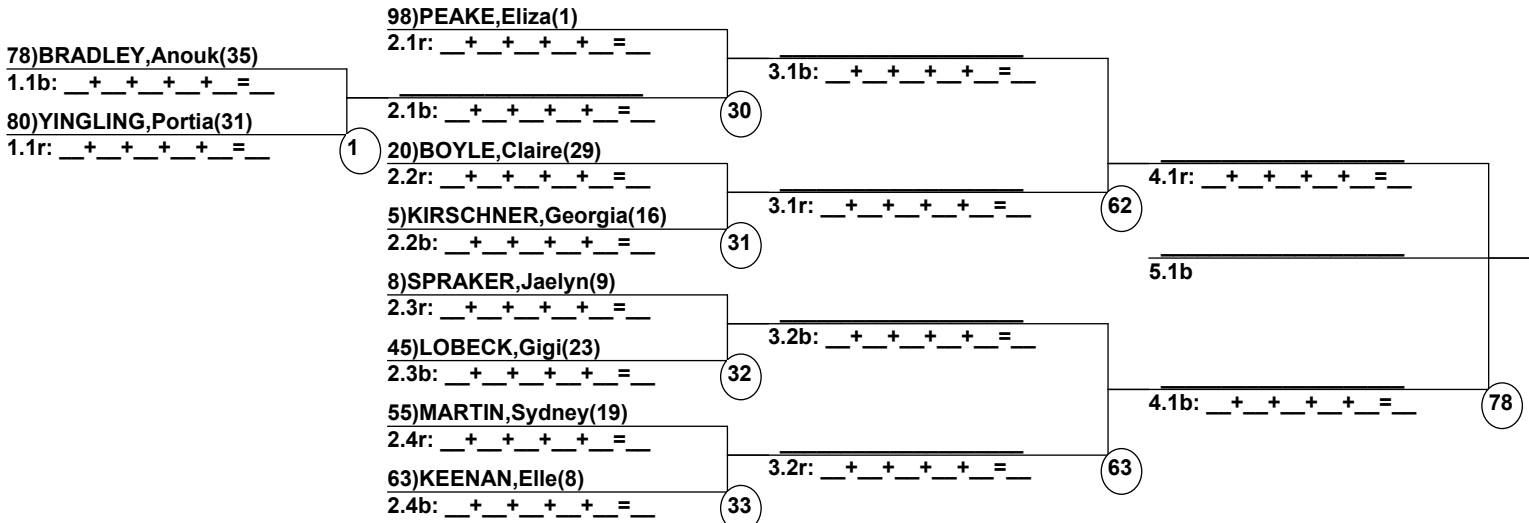
 Head Judge

 Chief of Scoring

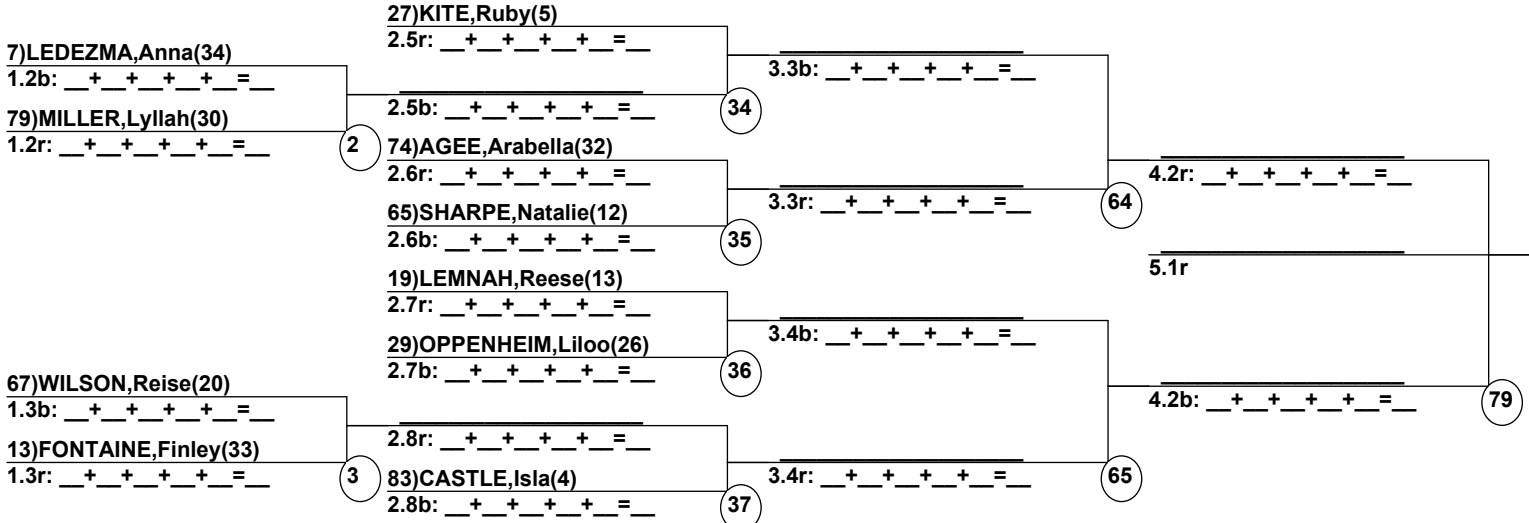
 T.D.

 Duals1 Run 1 Entrants Date: Feb 10, 2024 (Sat)
 Female/Male (By Duals1 Run-order) Time: 7:04 pm
 COPPER MOUNTAIN RESO COPPER MOGULS

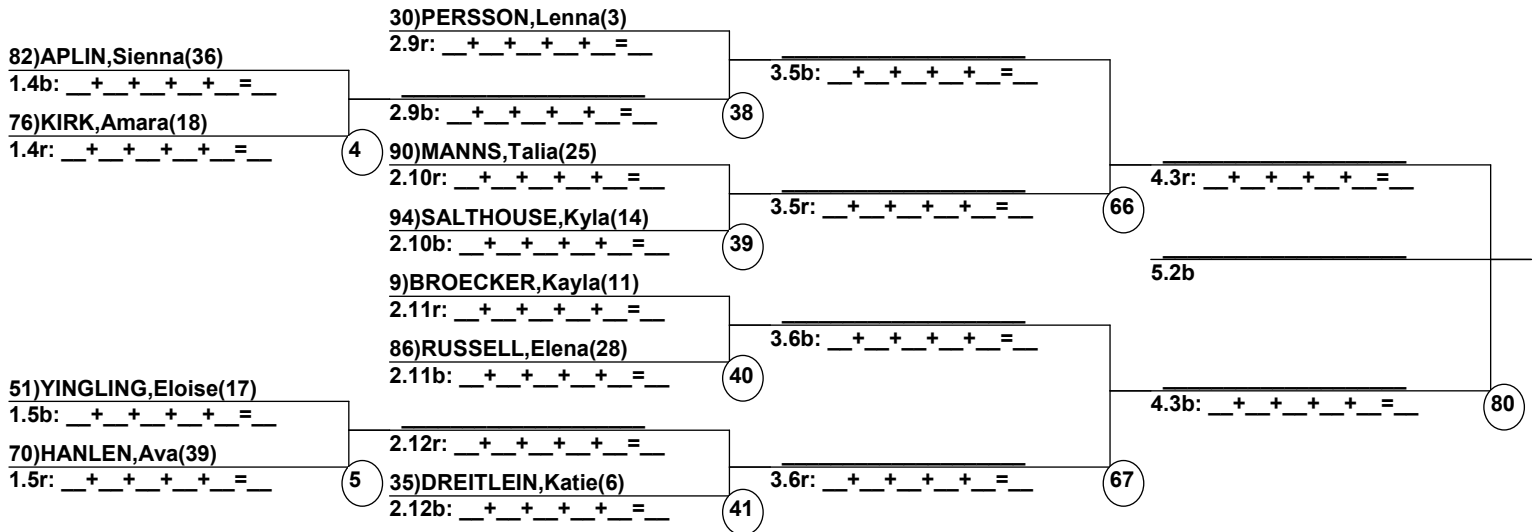
Female Road to Semi-Finals (5.1B)



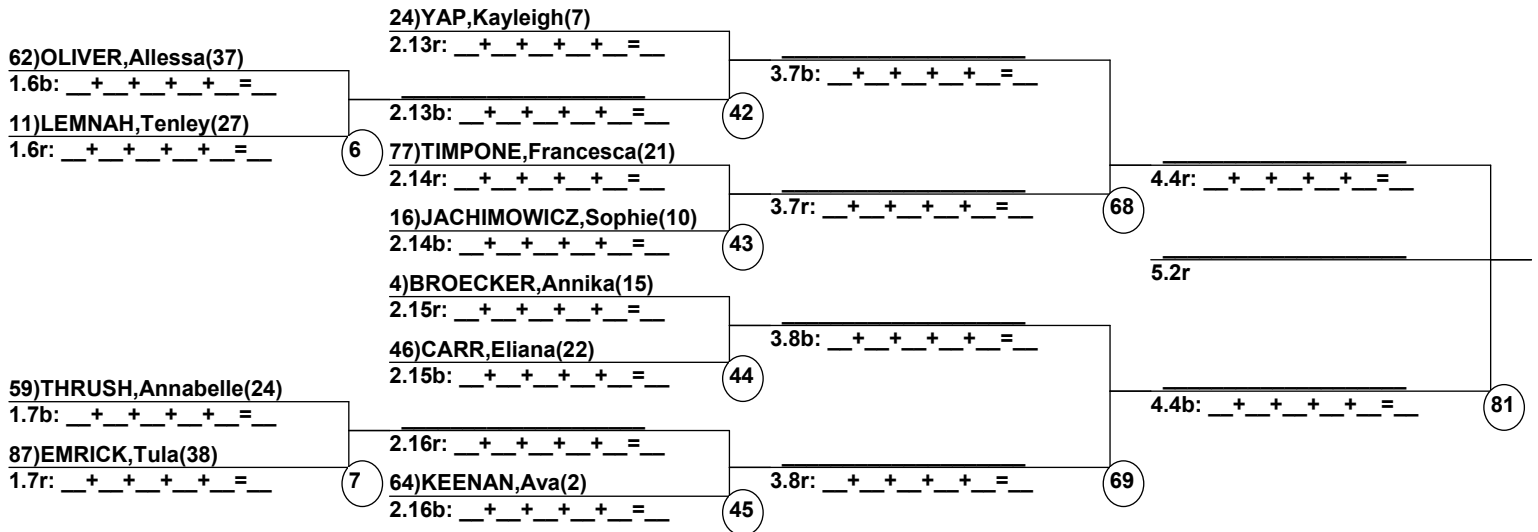
Female Road to Semi-Finals (5.1R)



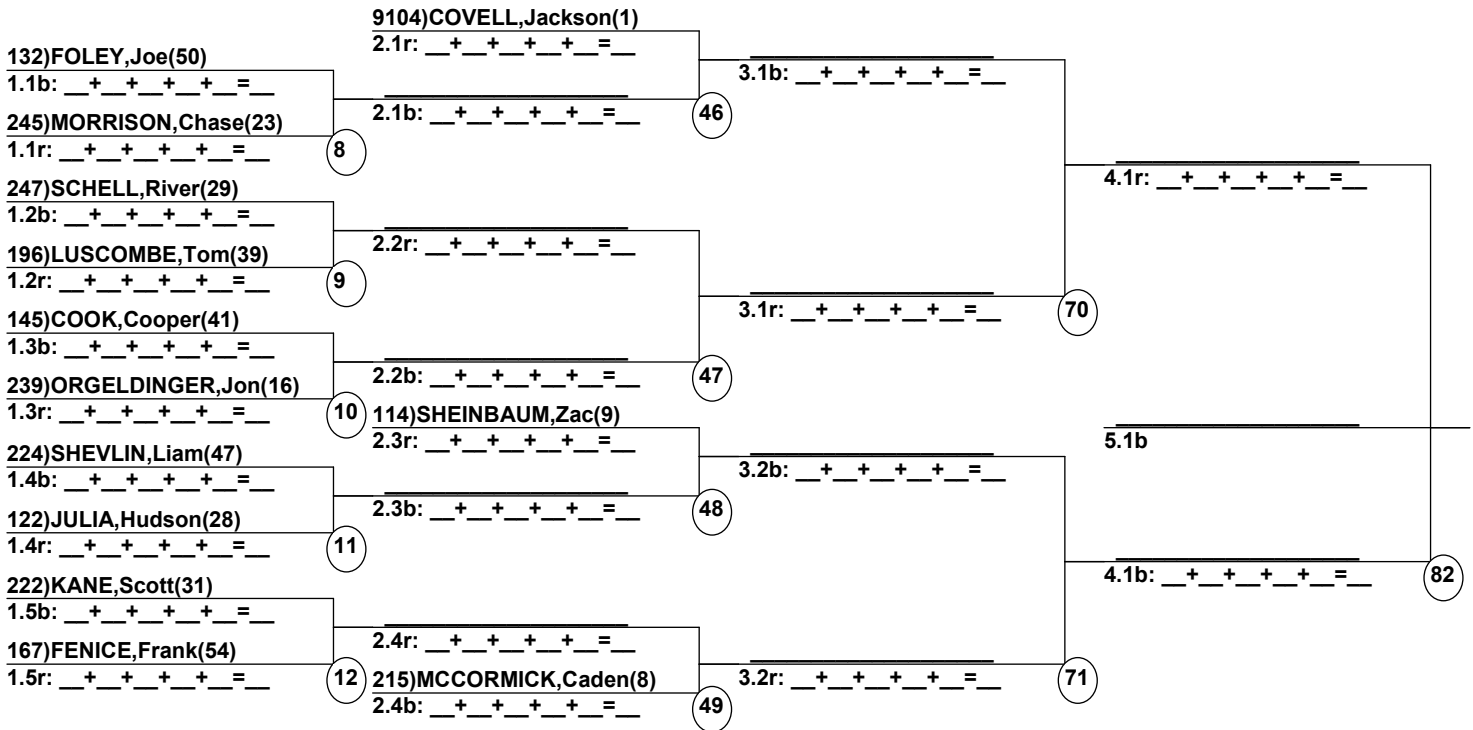
Female Road to Semi-Finals (5.2B)



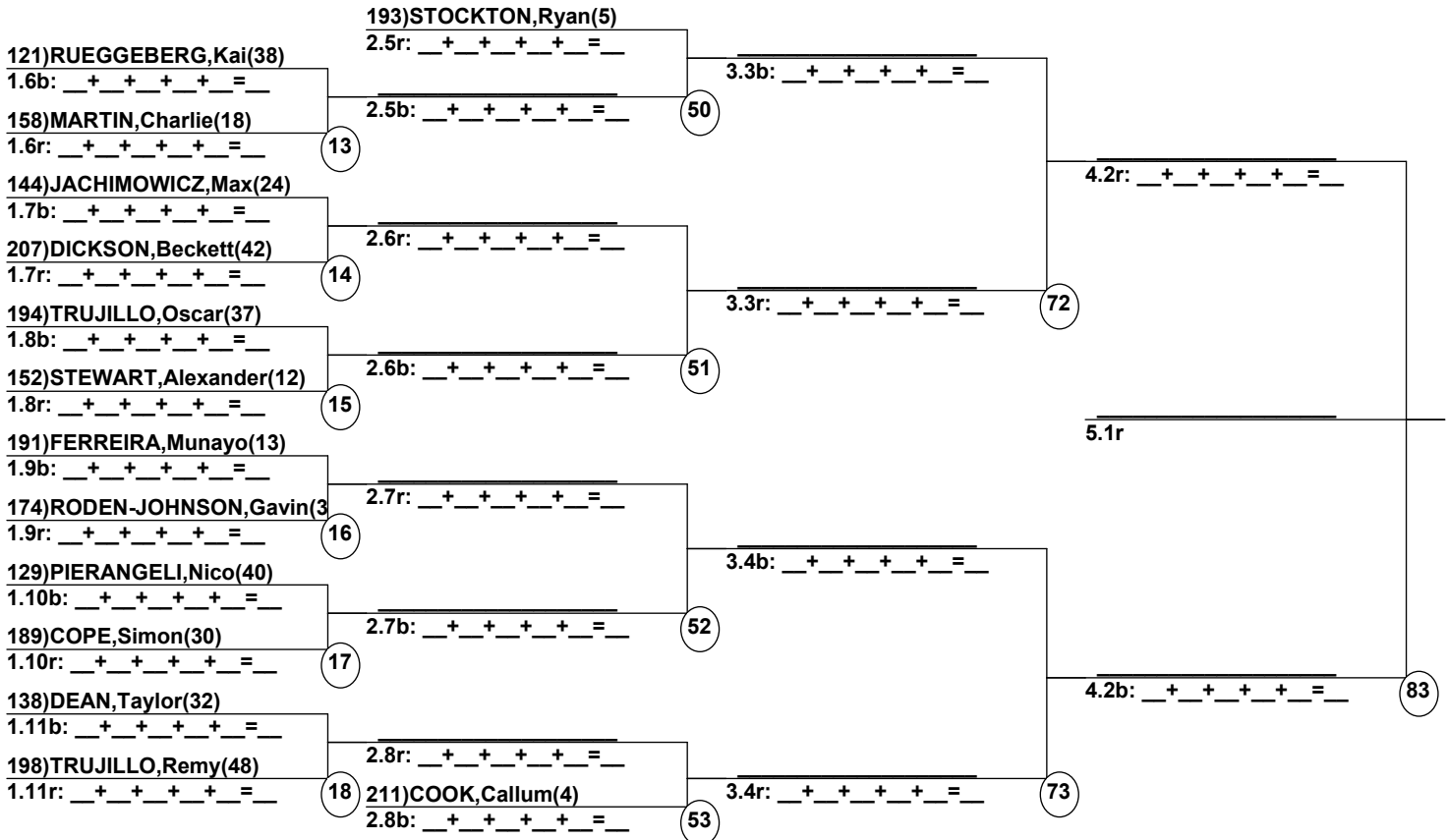
Female Road to Semi-Finals (5.2R)



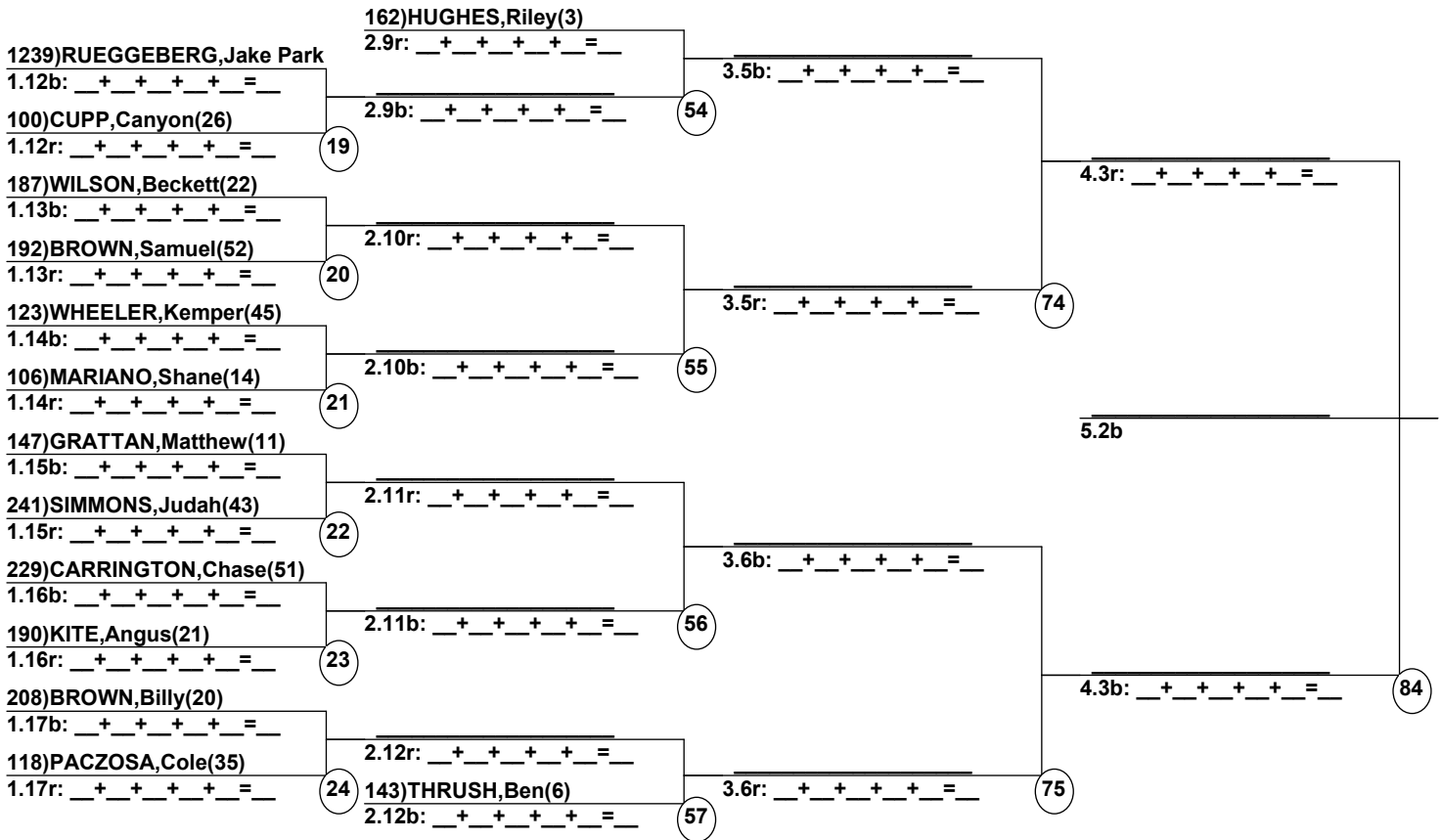
Male Road to Semi-Finals (5.1B)



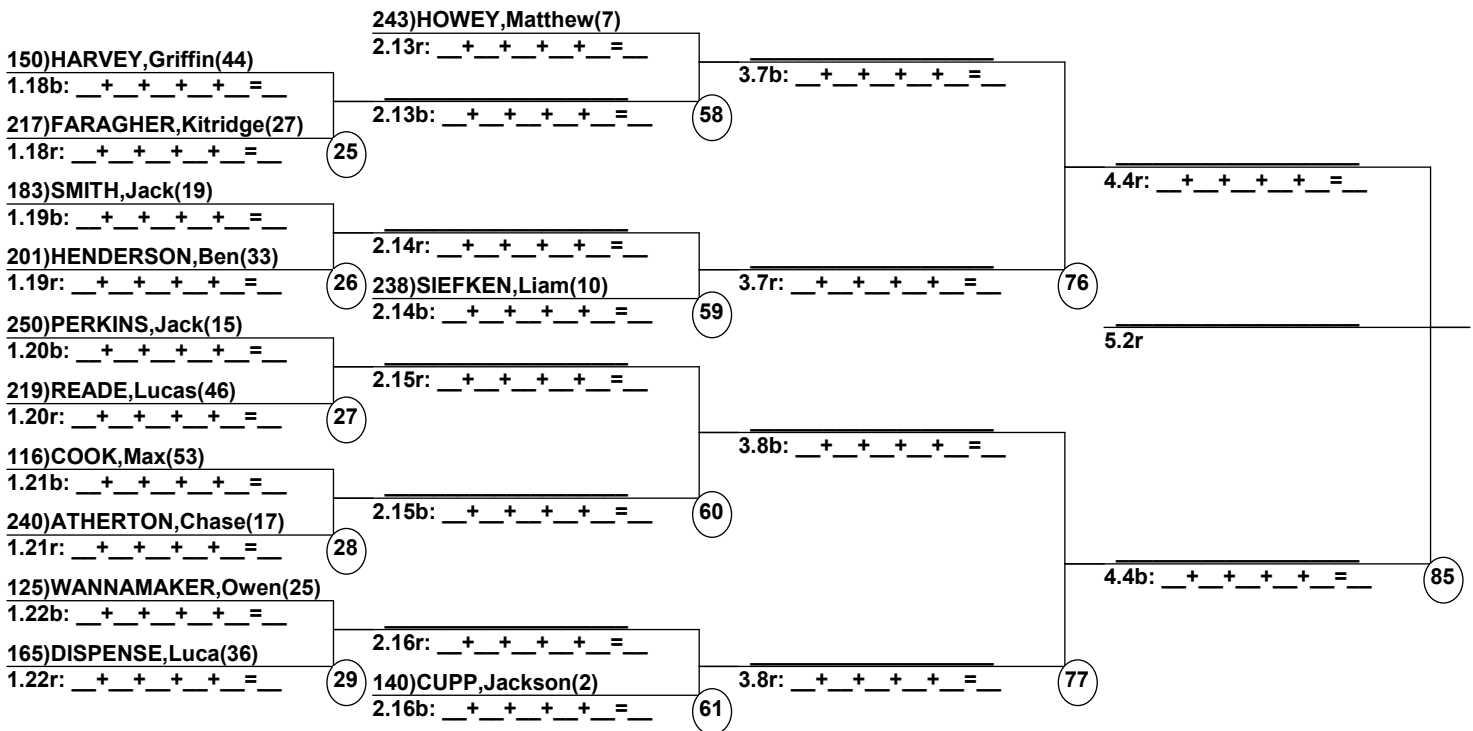
Male Road to Semi-Finals (5.1R)



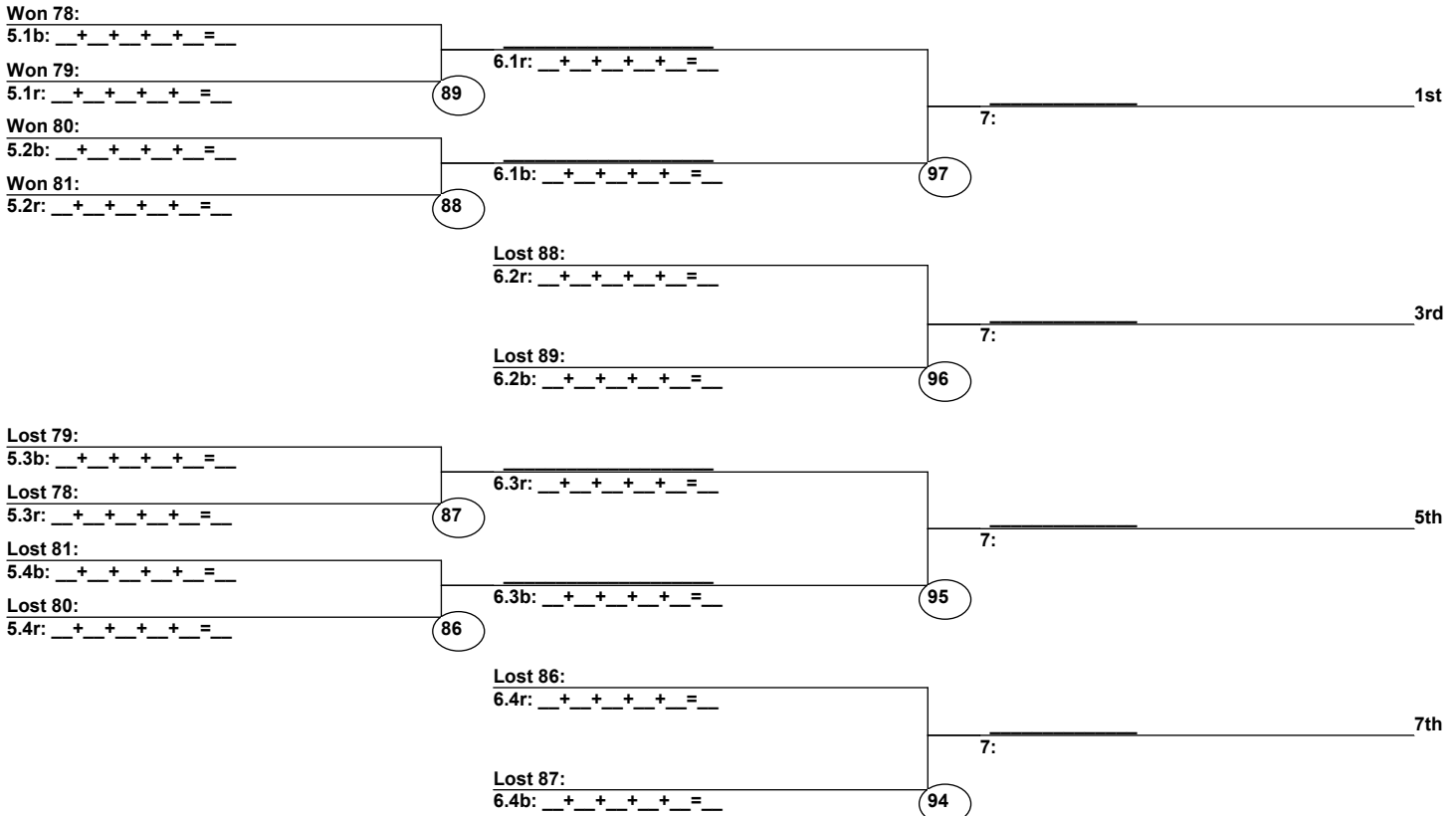
Male Road to Semi-Finals (5.2B)



Male Road to Semi-Finals (5.2R)



Female Semi-Finals



Male Semi-Finals

