



Winter Park Winter Heat

Winter Park Resort
Feb 4, 2024 (Sun) (U0953) (U0952)



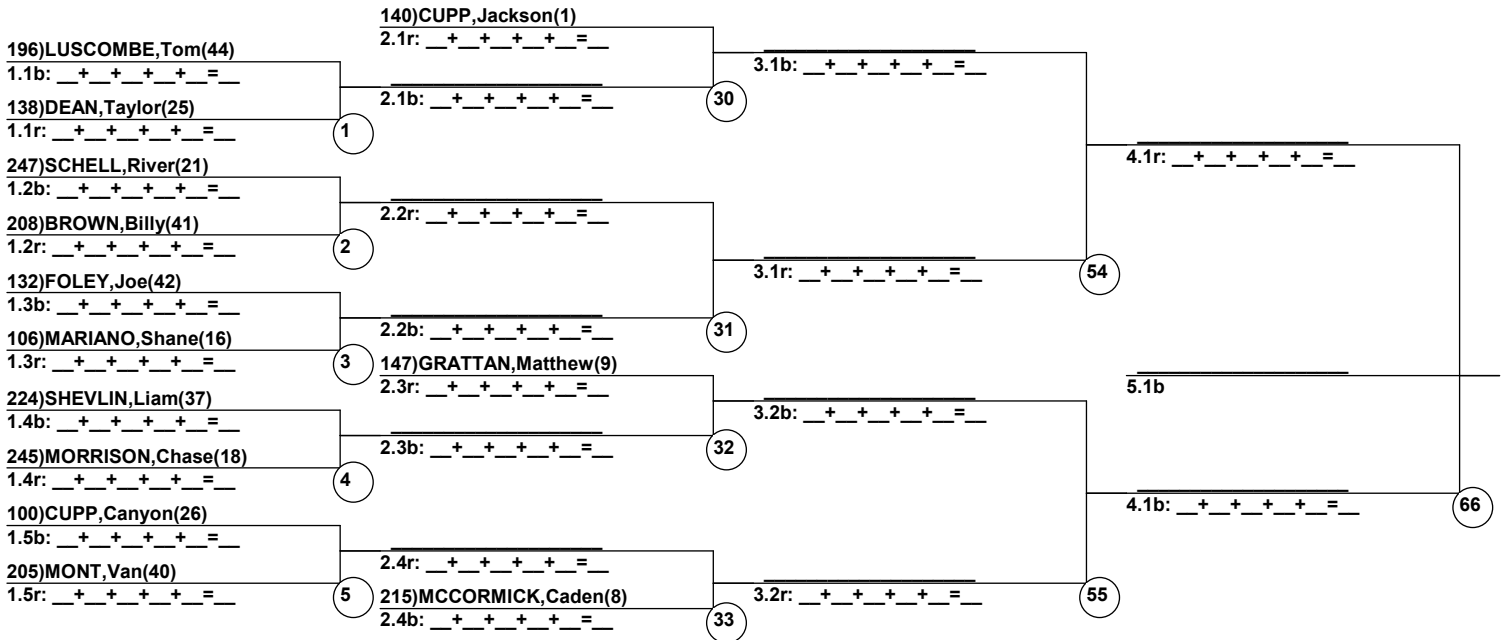
Head Judge: CARPENTER,Helena
Chief of Comp: HARRIS,Philip
T.D.: BECHTEL,C B
Chief of Scoring: CUPP,Erica

Length: 228 m
Width: 10 m
Pitch: 25 deg

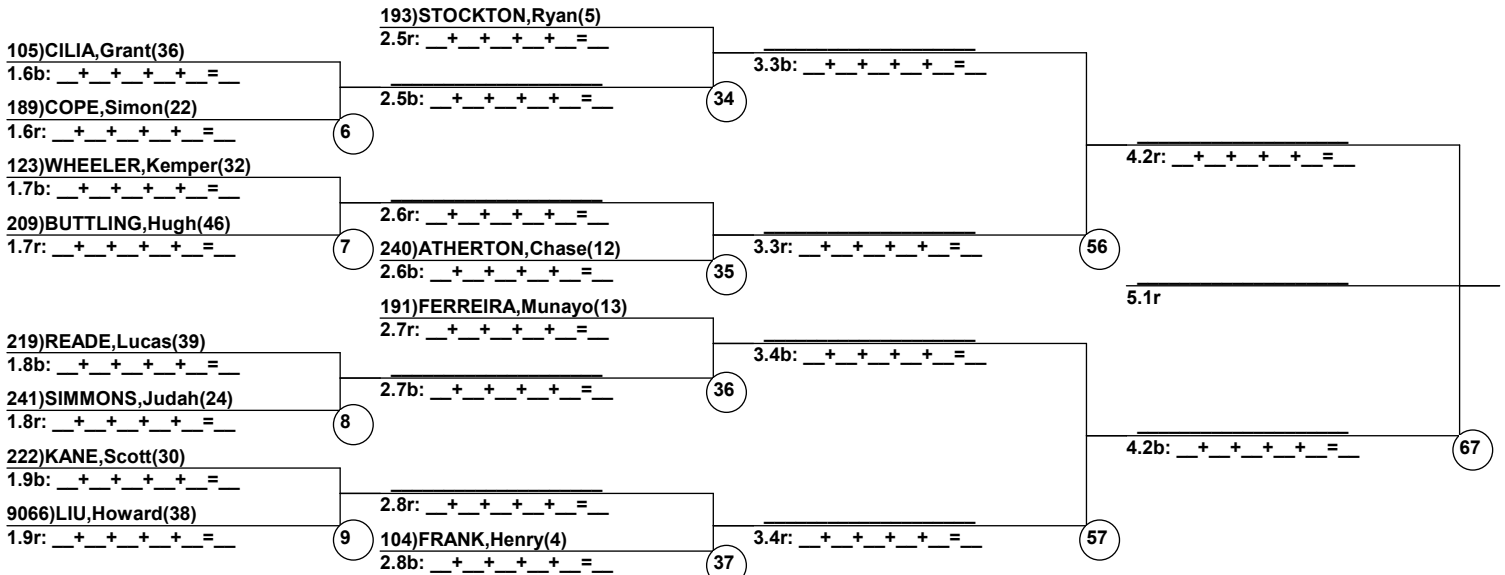
Head Judge
Chief of Scoring
T.D.

Duals1 Run 1 Entrants Date: Feb 3, 2024 (Sat)
Female/Male (By Duals1 Run-order) Time: 7:57 pm
Winter Park Resort Winter Park Winter H

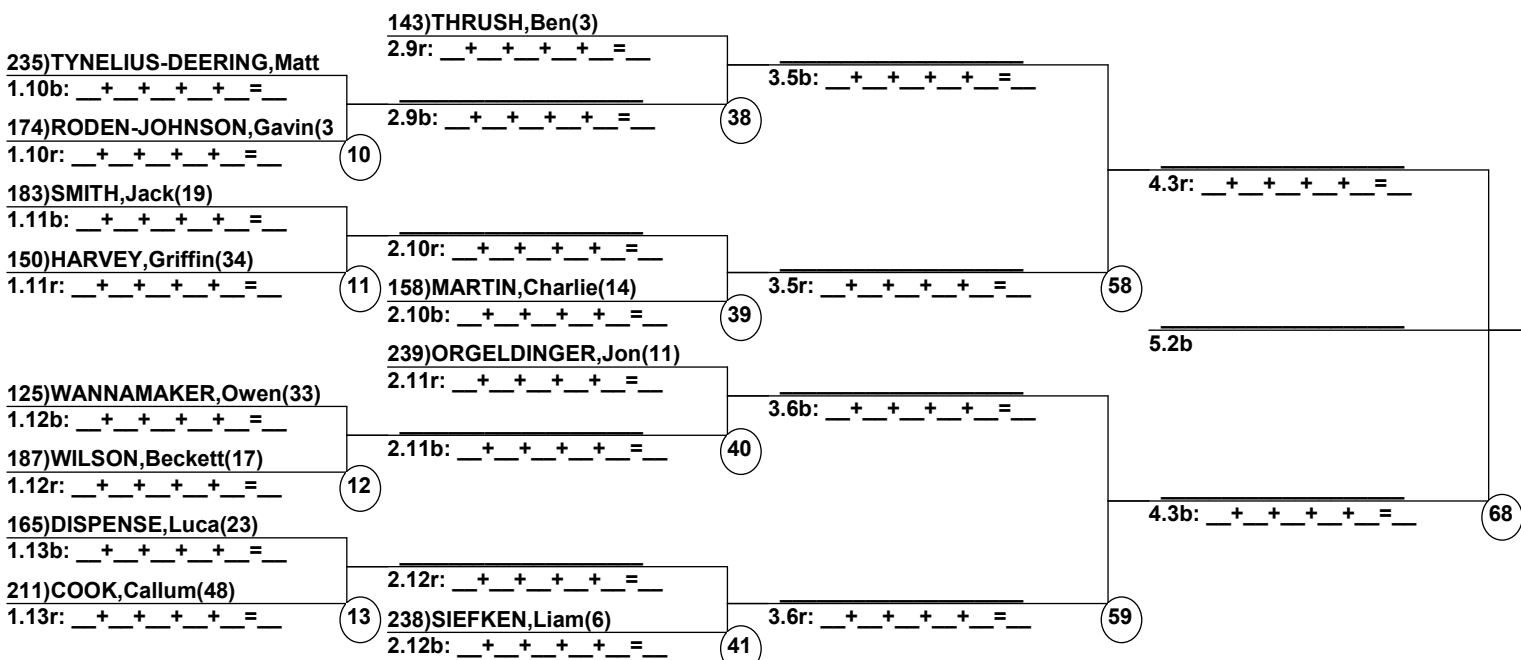
Male Road to Semi-Finals (5.1B)



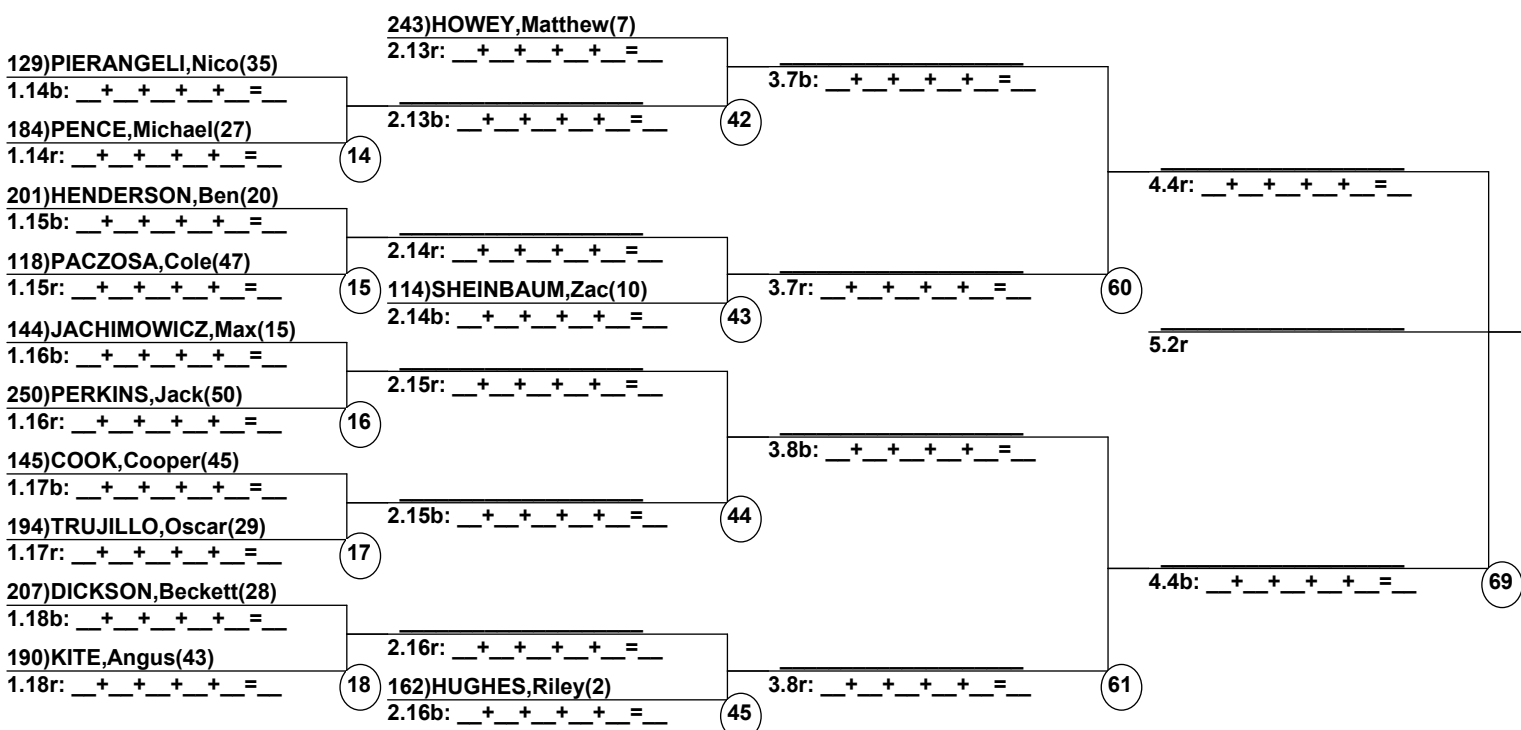
Male Road to Semi-Finals (5.1R)



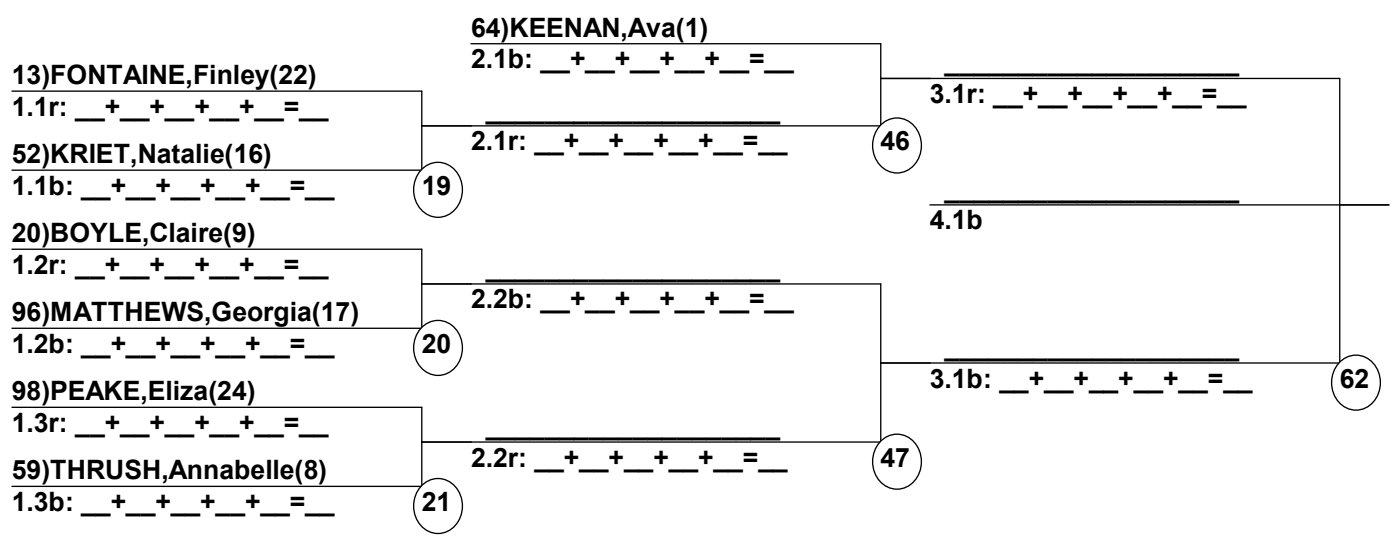
Male Road to Semi-Finals (5.2B)



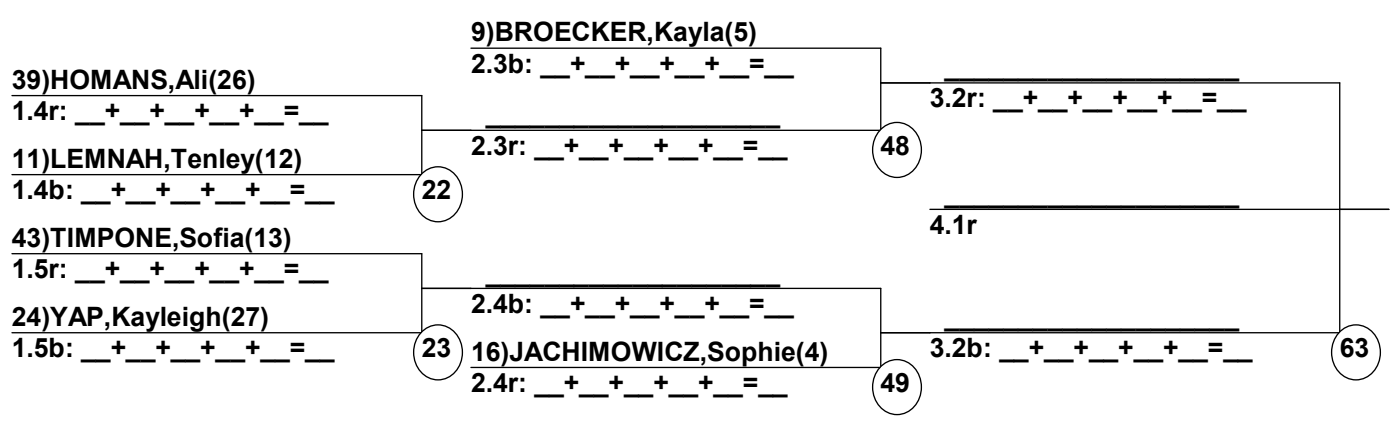
Male Road to Semi-Finals (5.2R)



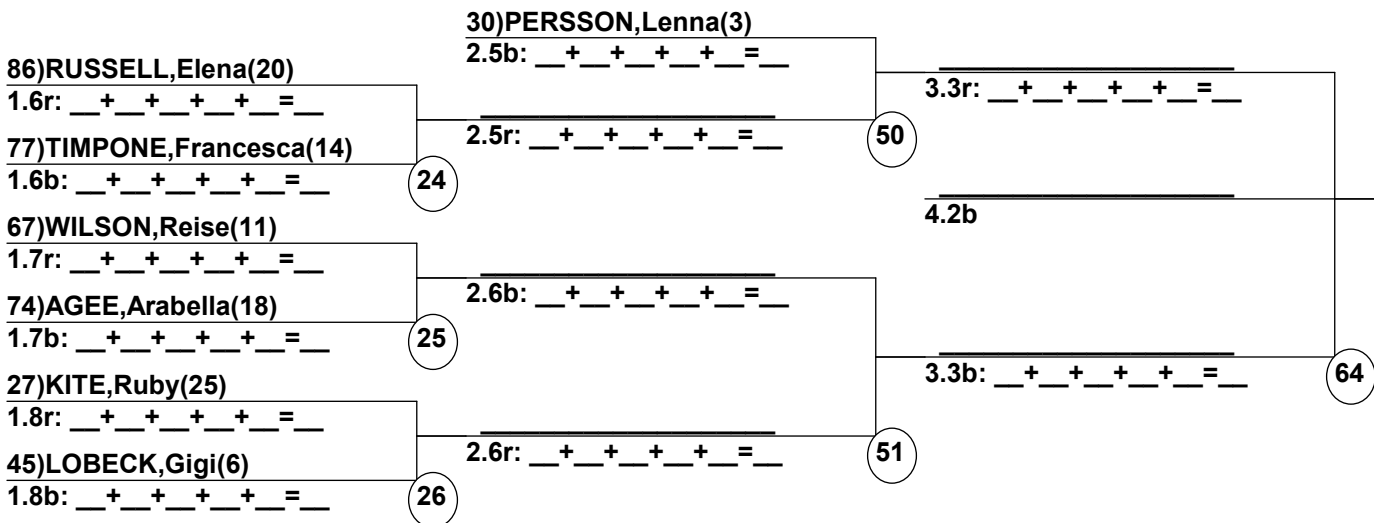
Female Road to Semi-Finals (4.1B)



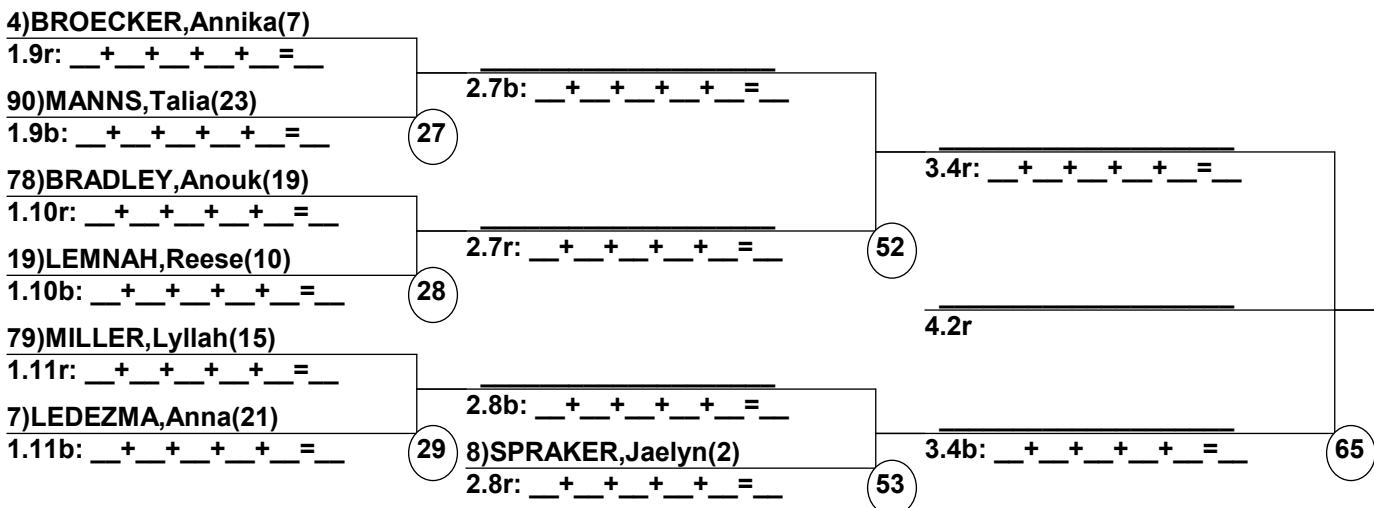
Female Road to Semi-Finals (4.1R)



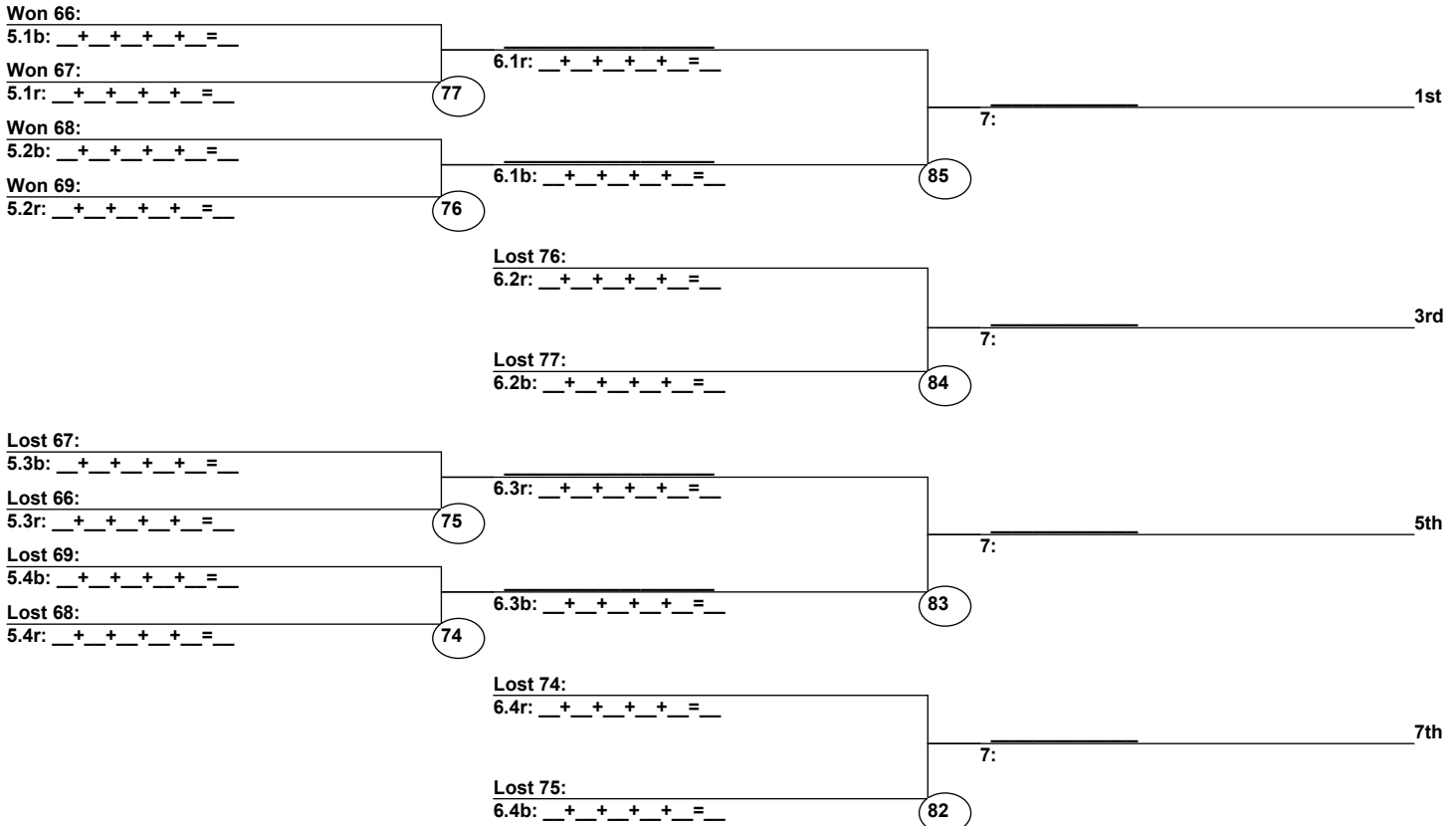
Female Road to Semi-Finals (4.2B)



Female Road to Semi-Finals (4.2R)



Male Semi-Finals



Female Semi-Finals

