



Qualifier Series Finals

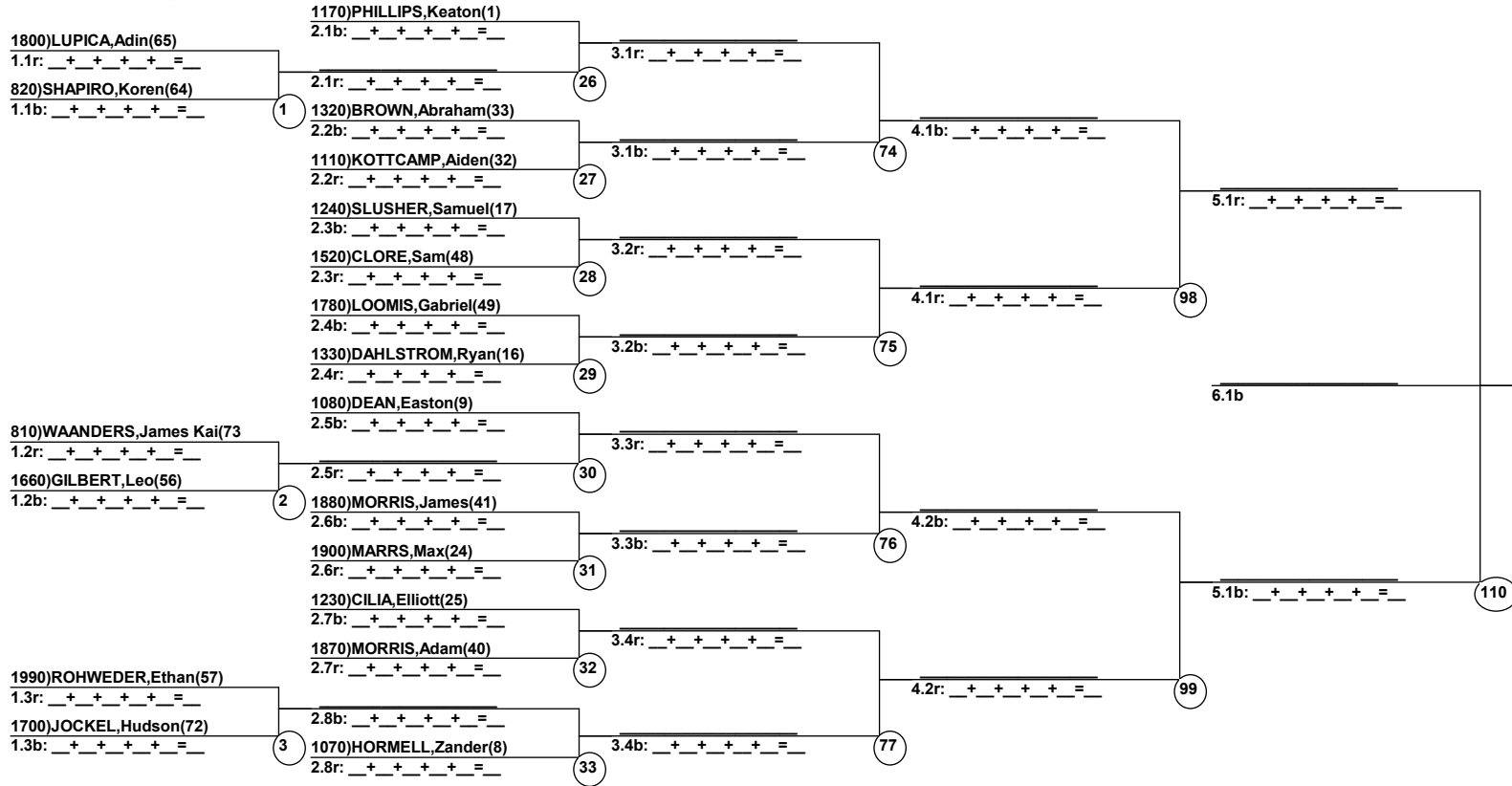
Winter Park Resort
Mar 17, 2024 (Sun) (N0672) (N0671)

Course: Ambush 2
Length: 189.5 m
Width: 10 m
Pitch: 25 deg
Head Judge
Chief of Scoring
T.D.

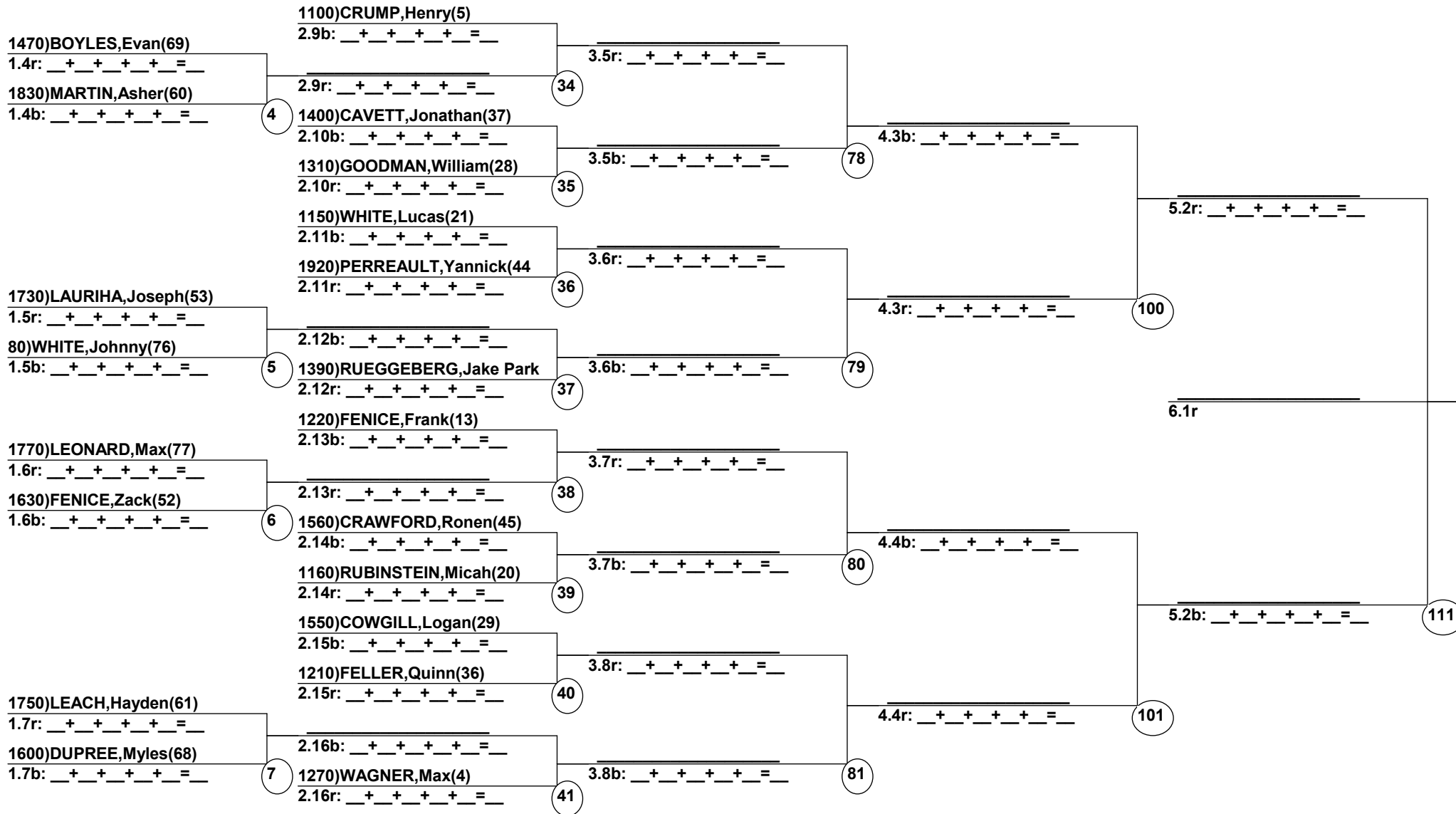
Head Judge: MISBACH,Elizabeth
Chief of Comp: MOONEY,Laurie
T.D.: FITZ,Keegan
Chief of Scoring: FENICE,Anne
Judge 1: G37068
Judge 2: MISBACH,Elizabeth
Judge 3: SABINA,Scott
Judge 4: MISBACH,Elizabeth

Duals1: Run 1 Entrants Date: Mar 16, 2024 (Sat)
Female/Male (By Duals1 Run-order) Time: 6:30 pm
Winter Park Resort Qualifier Series Fin

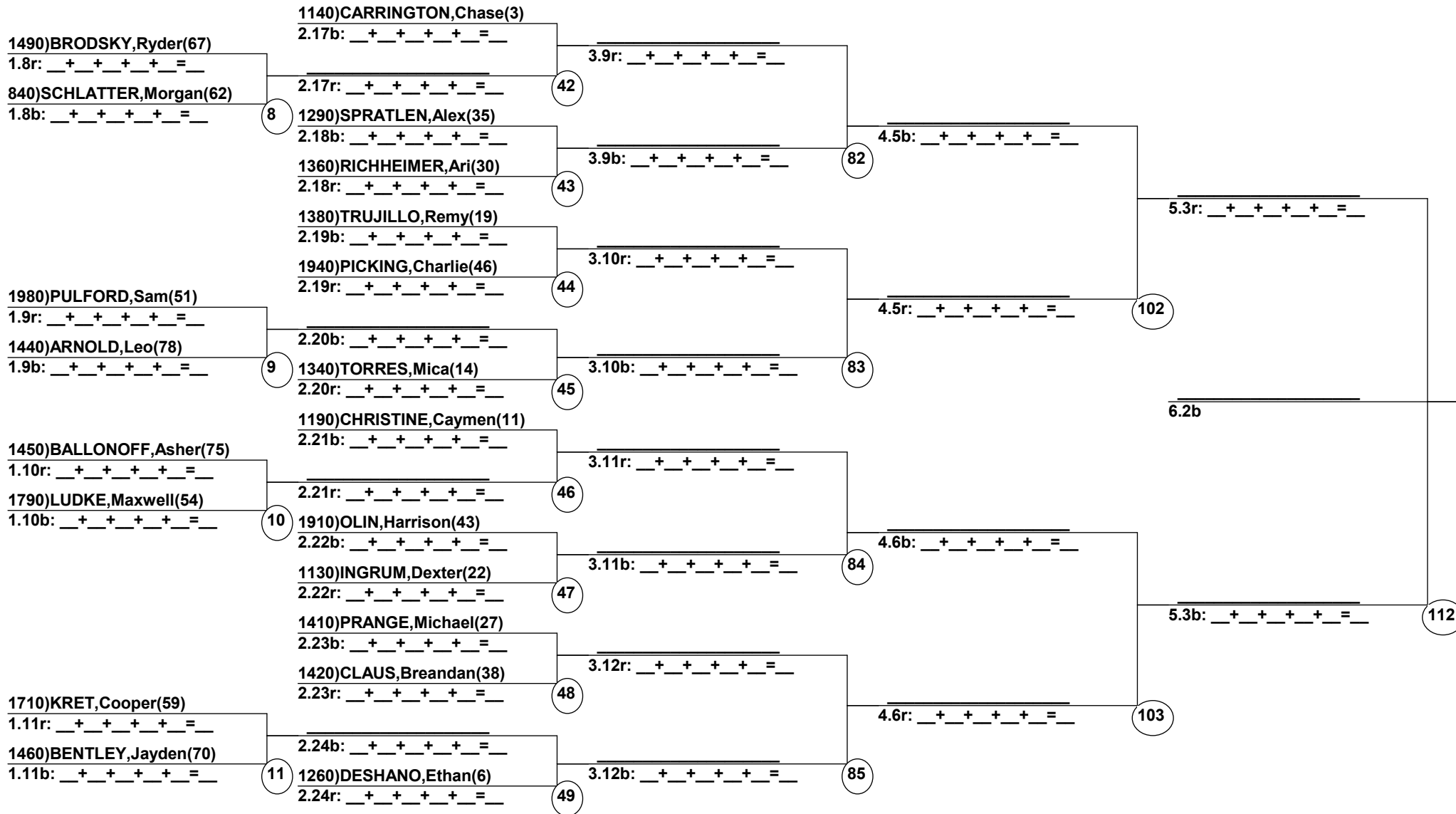
Male Road to Semi-Finals (6.1B)



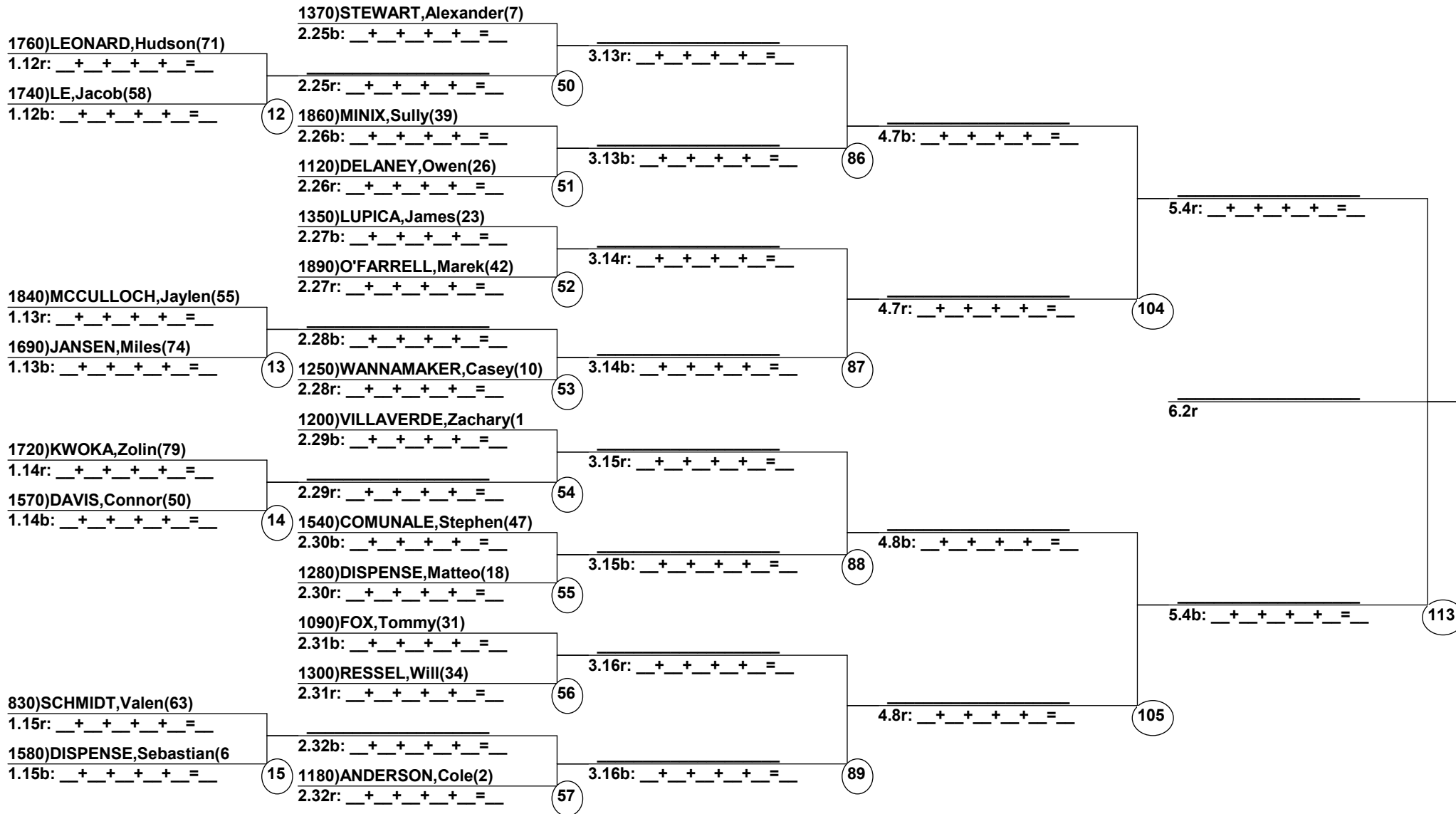
Male Road to Semi-Finals (6.1R)



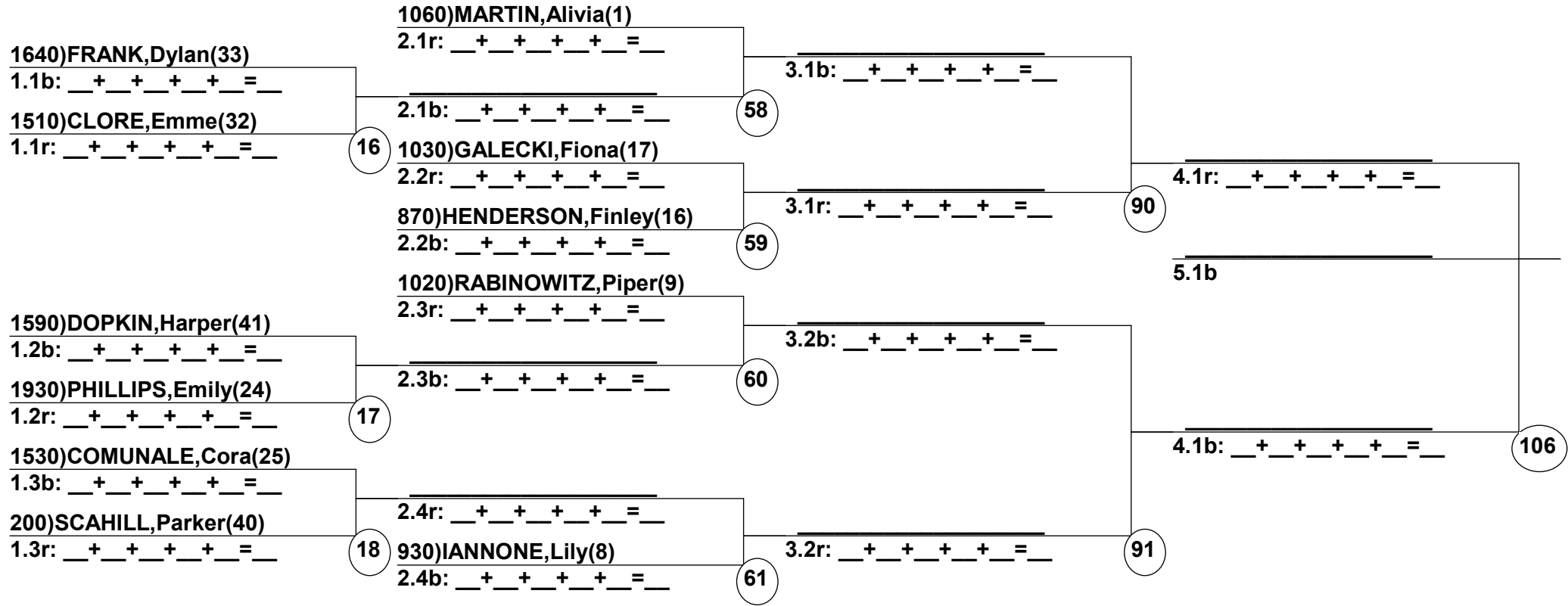
Male Road to Semi-Finals (6.2B)



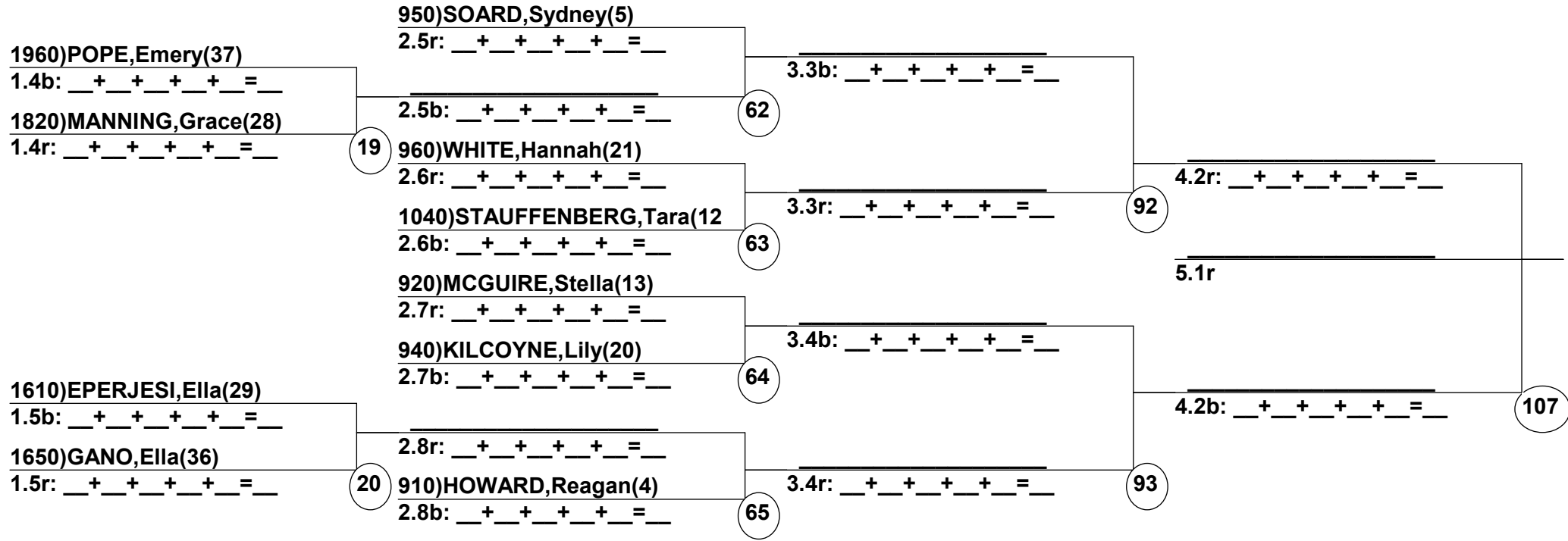
Male Road to Semi-Finals (6.2R)



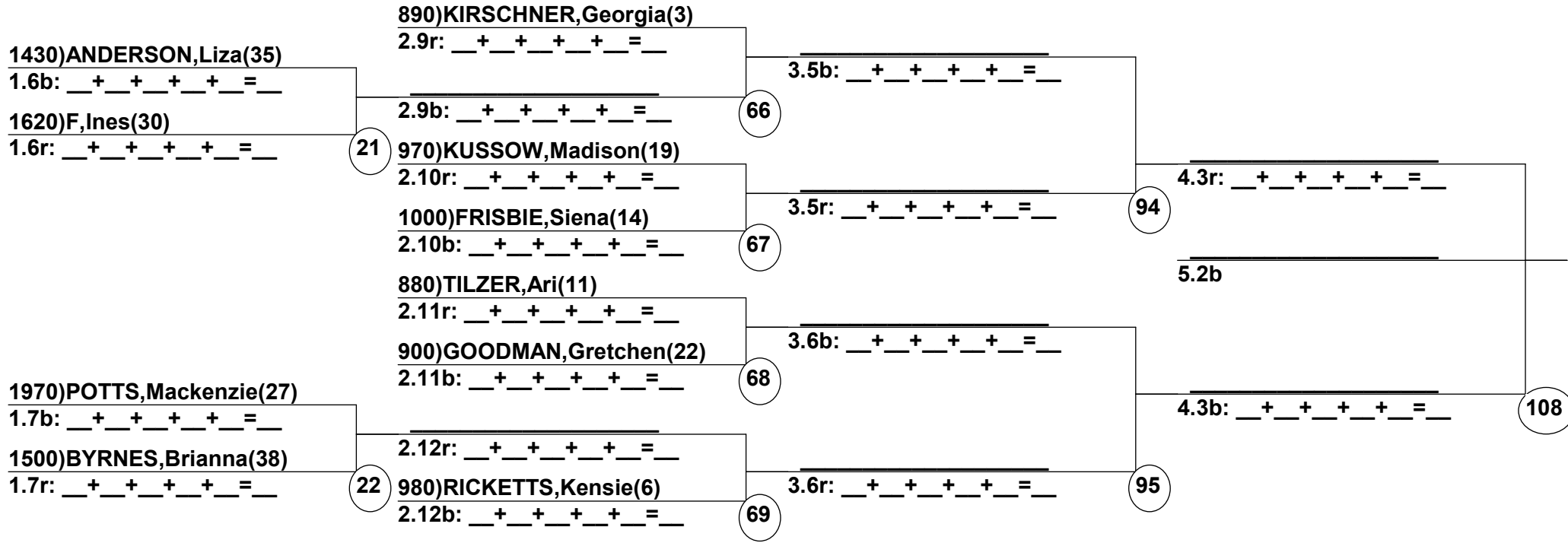
Female Road to Semi-Finals (5.1B)



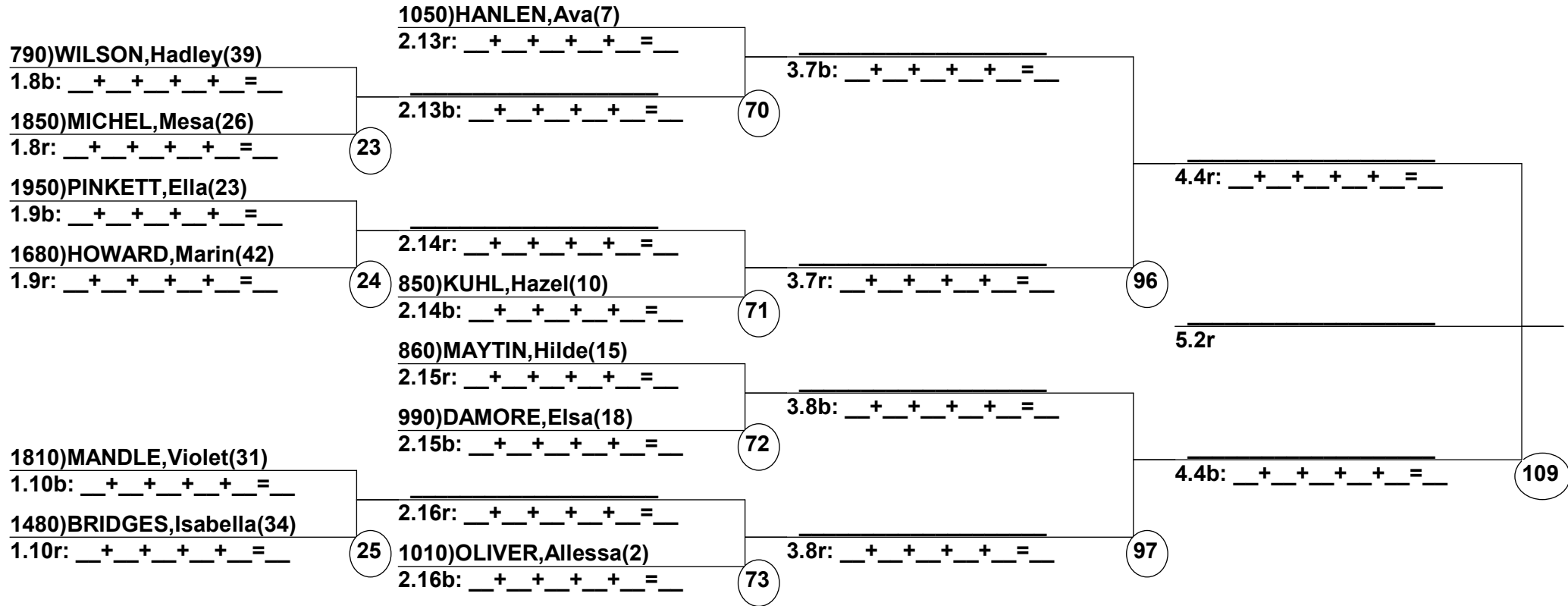
Female Road to Semi-Finals (5.1R)



Female Road to Semi-Finals (5.2B)



Female Road to Semi-Finals (5.2R)



Male Semi-Finals

Won 110:

6.1b: __+__+__+__+__=__

Won 111:

6.1r: __+__+__+__+__=__

Won 112:

6.2b: __+__+__+__+__=__

Won 113:

6.2r: __+__+__+__+__=__

7.1r: __+__+__+__+__=__

121

129

120

Lost 120:

7.2r: __+__+__+__+__=__

Lost 121:

7.2b: __+__+__+__+__=__

128

Lost 111:

6.3b: __+__+__+__+__=__

Lost 110:

6.3r: __+__+__+__+__=__

Lost 113:

6.4b: __+__+__+__+__=__

Lost 112:

6.4r: __+__+__+__+__=__

7.3r: __+__+__+__+__=__

119

7.3b: __+__+__+__+__=__

127

118

Lost 118:

7.4r: __+__+__+__+__=__

Lost 119:

7.4b: __+__+__+__+__=__

126

8: _____ 1st

8: _____ 3rd

8: _____ 5th

8: _____ 7th

Female Semi-Finals

Won 106:

5.1b: __+__+__+__+__=__

Won 107:

5.1r: __+__+__+__+__=__

Won 108:

5.2b: __+__+__+__+__=__

Won 109:

5.2r: __+__+__+__+__=__

117

6.1r: __+__+__+__+__=__

125

6.1b: __+__+__+__+__=__

116

Lost 116:

6.2r: __+__+__+__+__=__

Lost 117:

6.2b: __+__+__+__+__=__

124

Lost 107:

5.3b: __+__+__+__+__=__

Lost 106:

5.3r: __+__+__+__+__=__

Lost 109:

5.4b: __+__+__+__+__=__

Lost 108:

5.4r: __+__+__+__+__=__

115

6.3r: __+__+__+__+__=__

123

6.3b: __+__+__+__+__=__

114

Lost 114:

6.4r: __+__+__+__+__=__

Lost 115:

6.4b: __+__+__+__+__=__

122

7: _____ 1st

7: _____ 3rd

7: _____ 5th

7: _____ 7th