



The Steadman Clinic Moguls at Highlands

Aspen
Jan 20, 2025 (Mon) (U0397) (U0396)



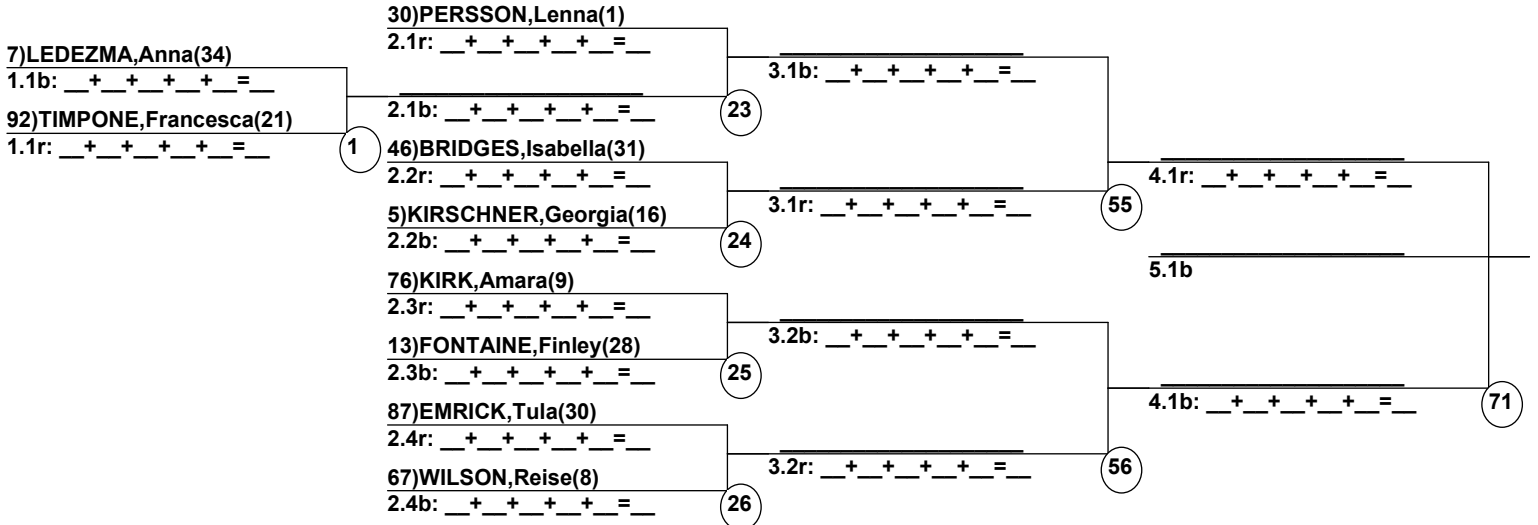
Head Judge
Chief of Scoring
T.D.

Duals Run 1
Female/Male
Aspen

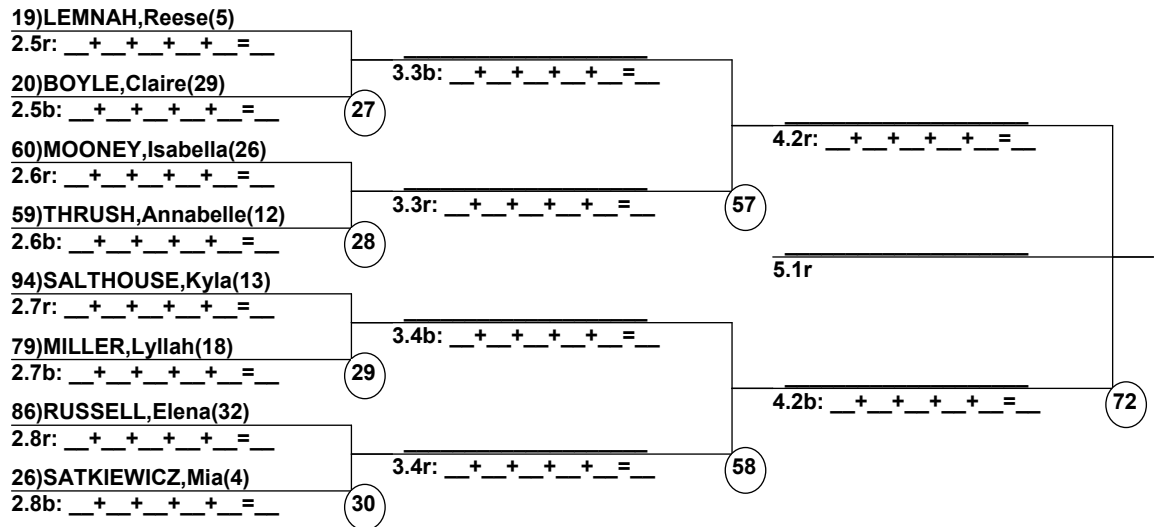
Entrants
(By Duals Run-order)
The Steadman Clinic

Date: Jan 19, 2025 (Sun)
Time: 7:59 pm

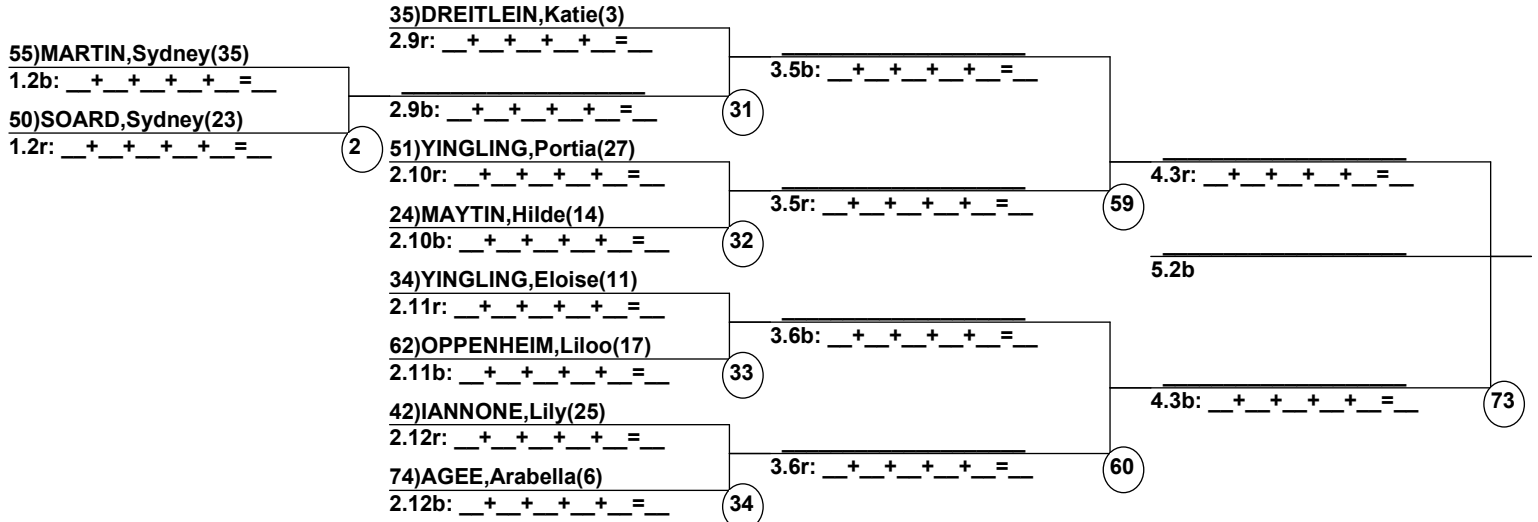
Female Road to Semi-Finals (5.1B)



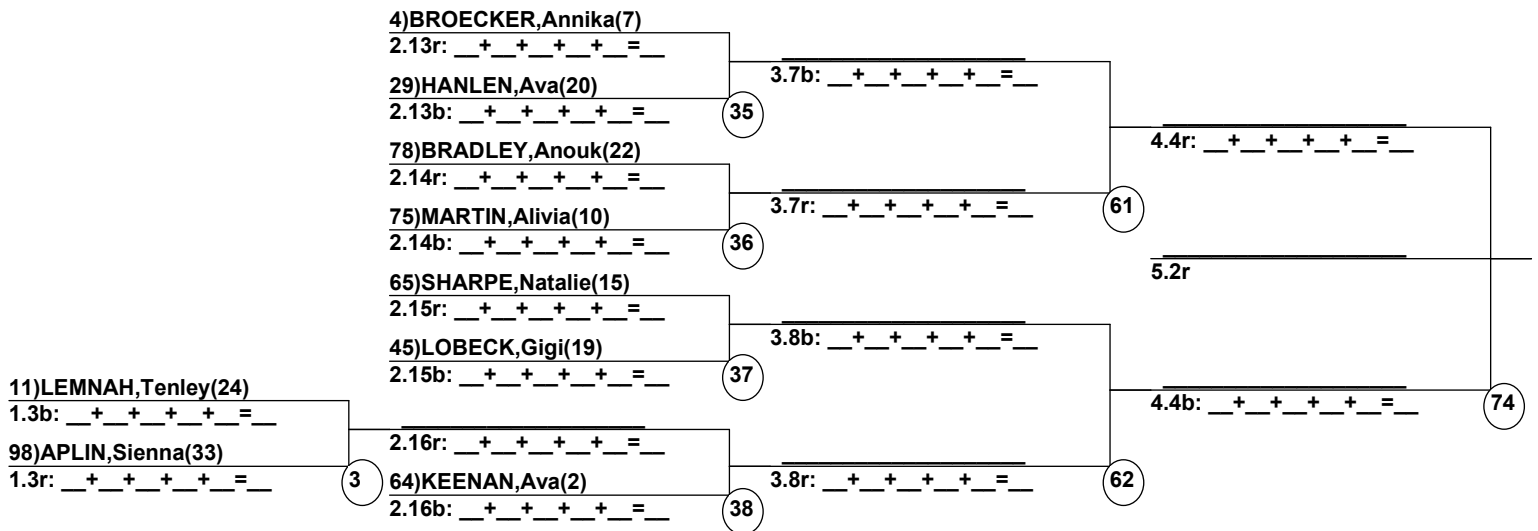
Female Road to Semi-Finals (5.1R)



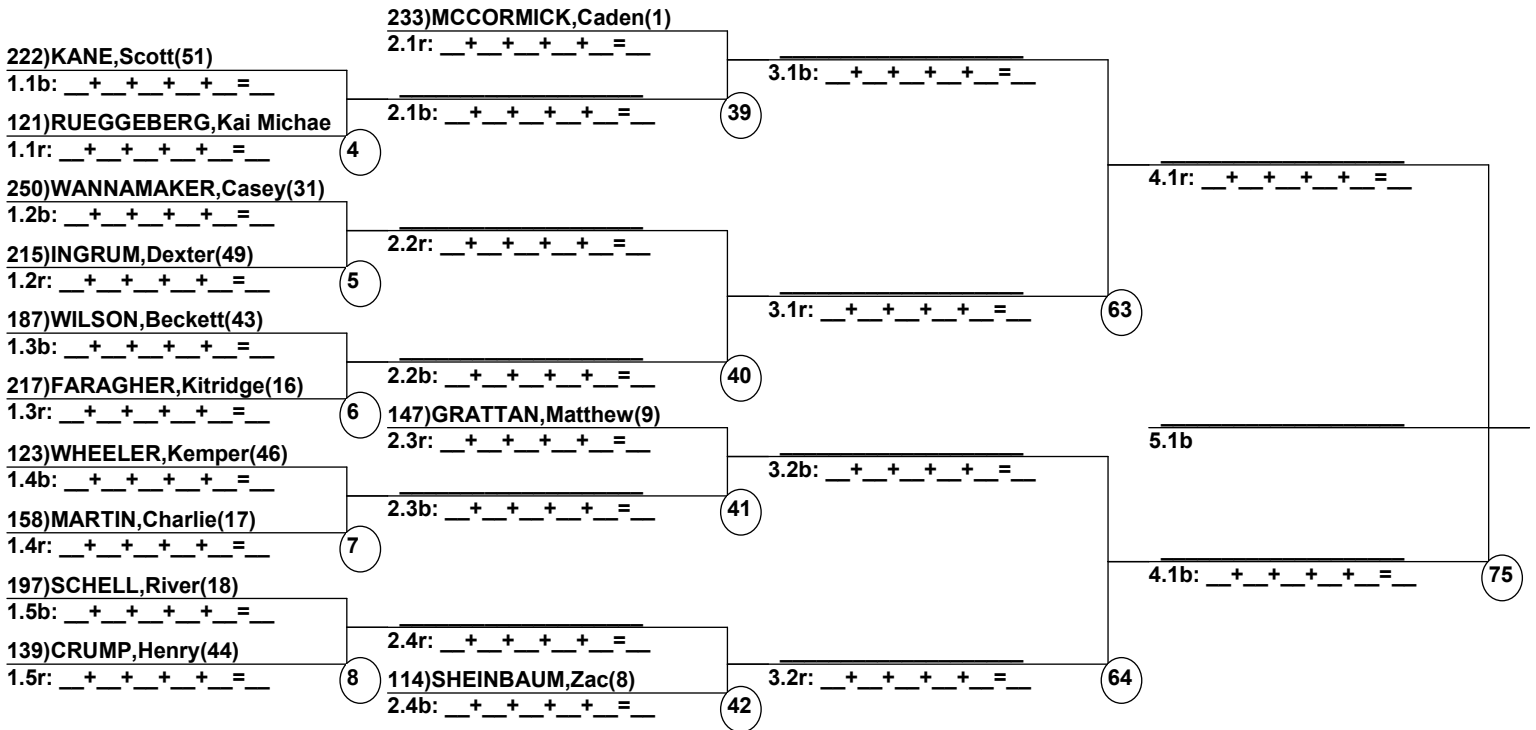
Female Road to Semi-Finals (5.2B)



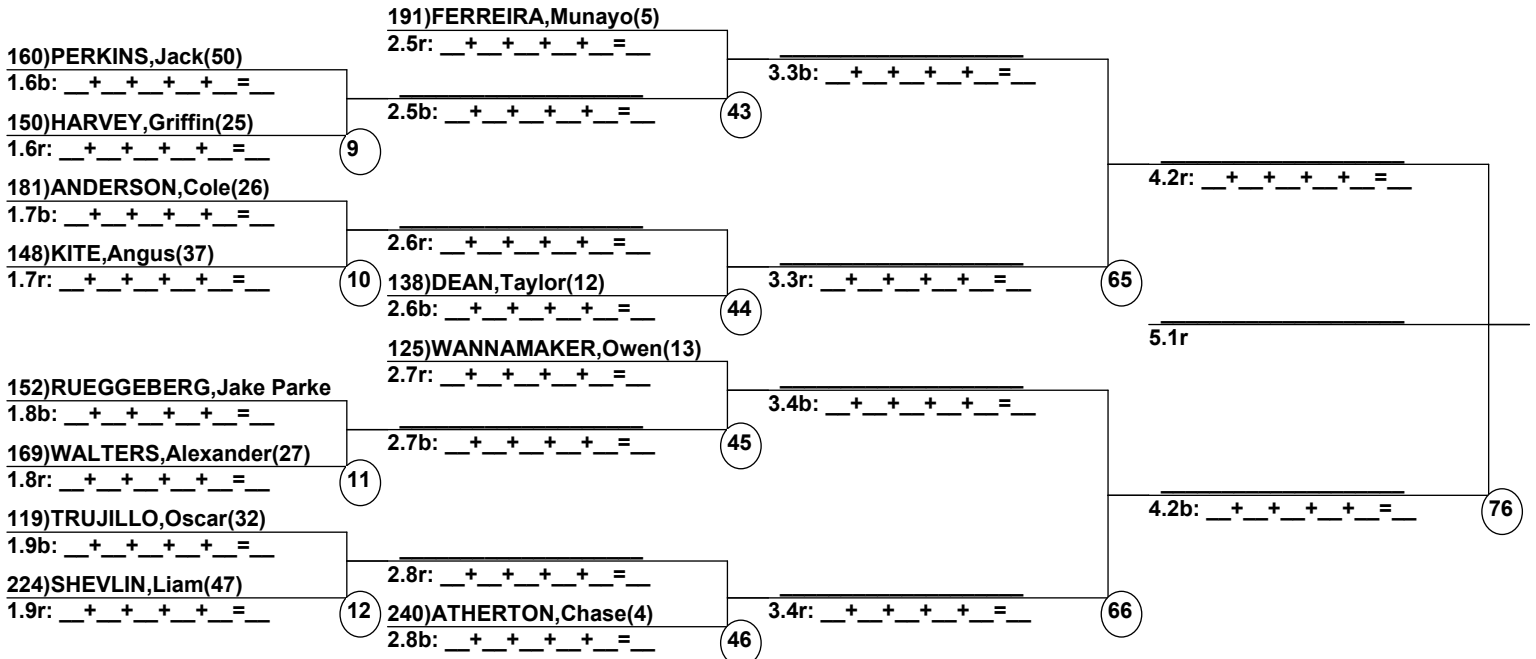
Female Road to Semi-Finals (5.2R)



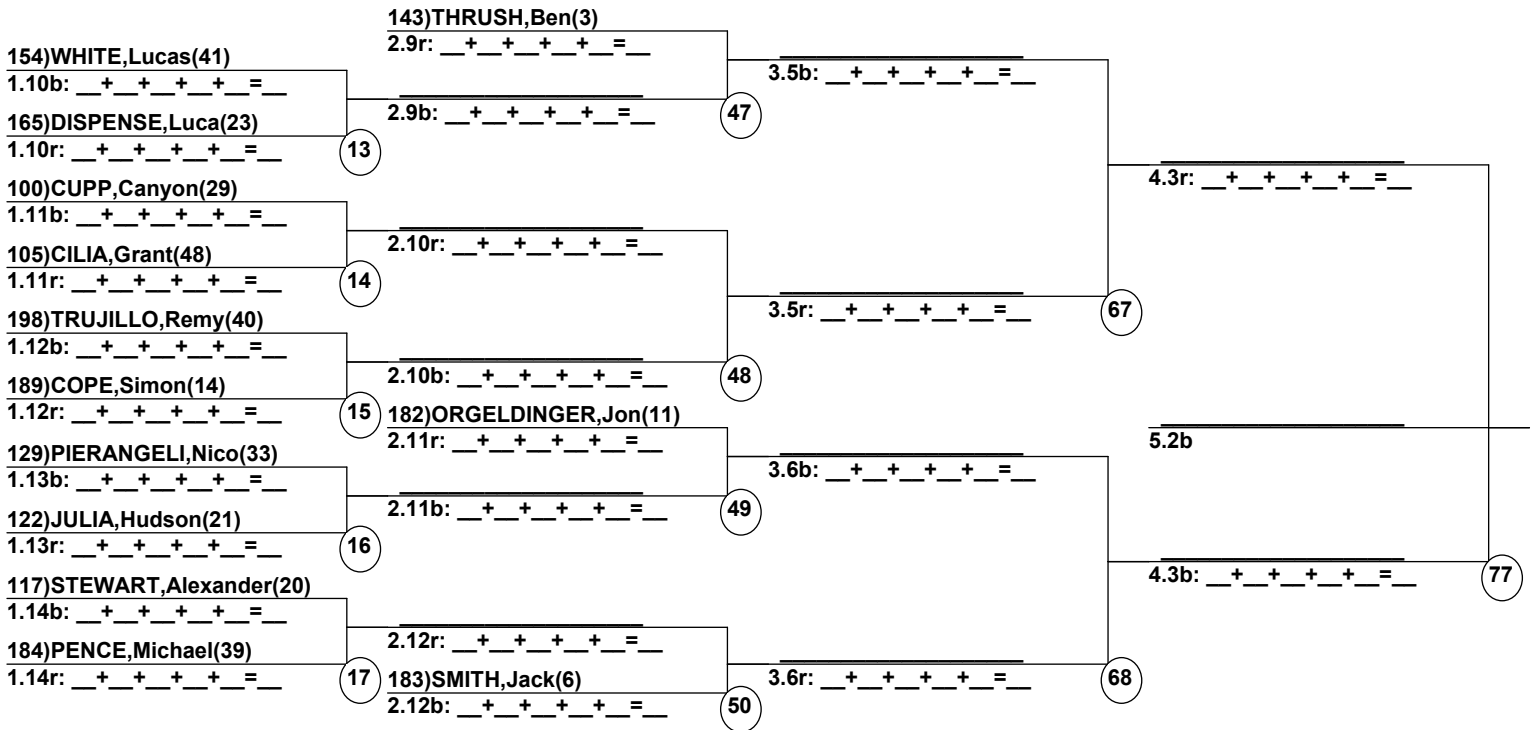
Male Road to Semi-Finals (5.1B)



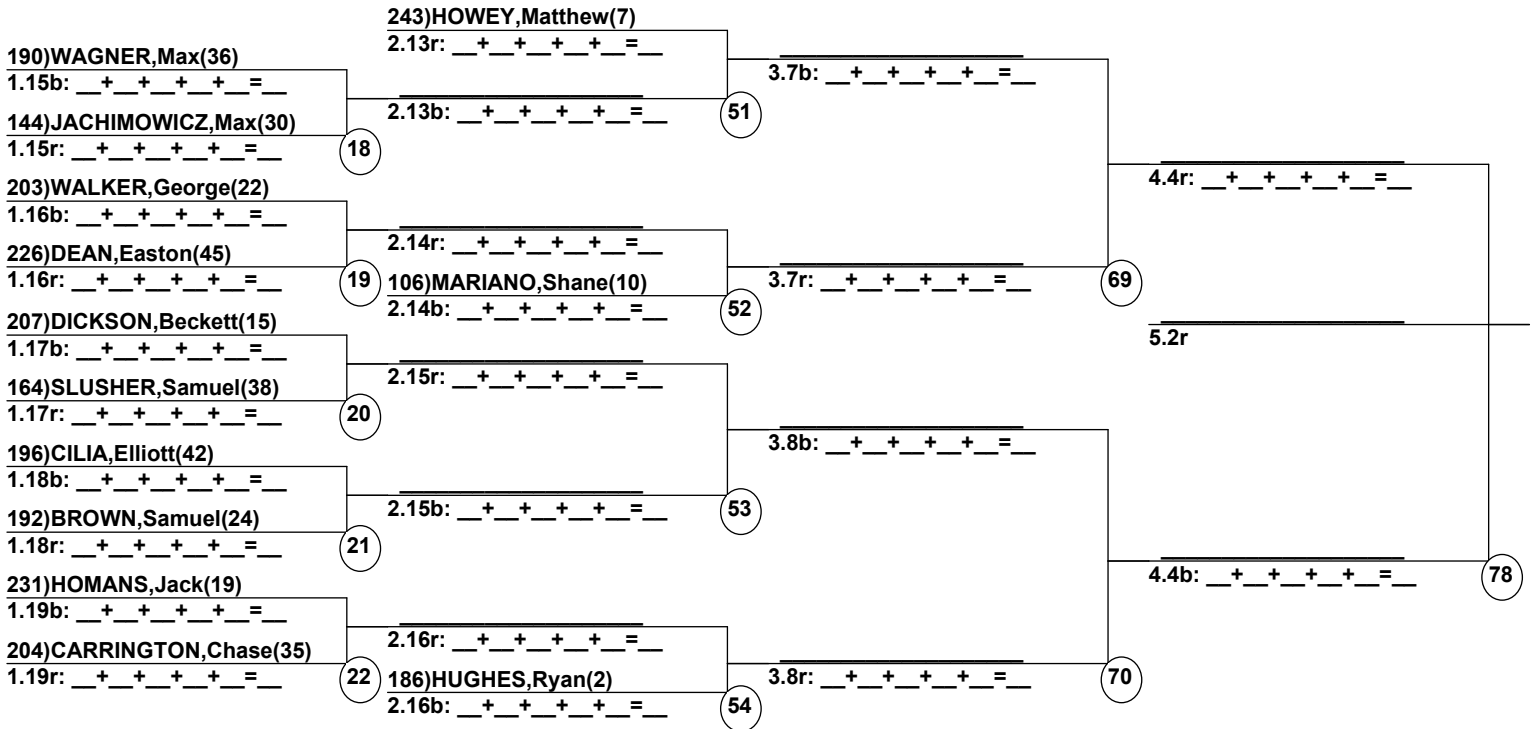
Male Road to Semi-Finals (5.1R)



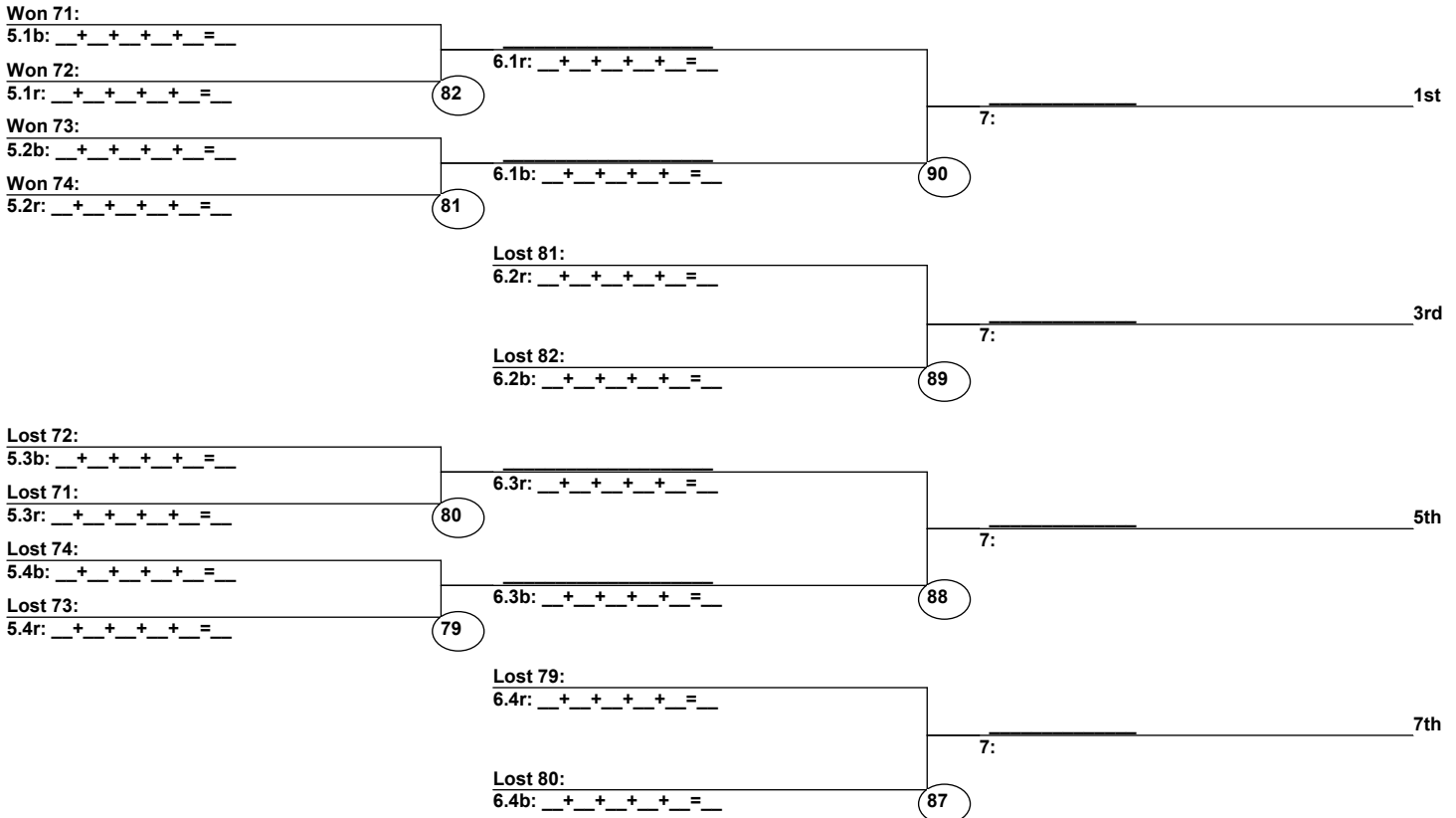
Male Road to Semi-Finals (5.2B)



Male Road to Semi-Finals (5.2R)



Female Semi-Finals



Male Semi-Finals

